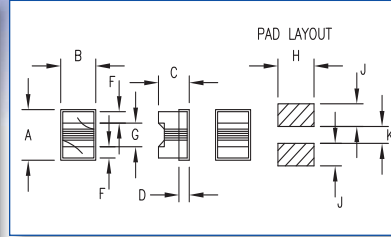
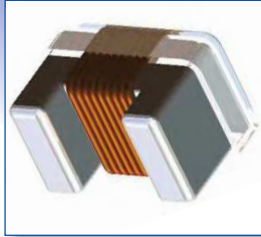


SURFACE MOUNT WIREWOUND CHIP INDUCTOR

Dimensions in inches (mm)



Inductance Tolerance Coded Dash Numbers

B	±0.15nH
S	±0.30nH
G	±2%
J	±5%
K	±10%
M	±20%

How to order code

555 - XXXX - XX - XX - 36

Basic Part No. Inductance Tolerance Inductance Code

Packaging

555-0402	4,000 pcs per 178mm reel
555-0603/0805	3,000 pcs per 178mm reel
555-1008	2,000 pcs per 178mm reel

Basic Part No.	Inductance	Tolerance Available	"Q" Min.	Test Frequency (MHz)		DCR Max. (Ω)	DC Max. (mA)	SRF Min. (MHz)	
				Inductance	Q				
555-0402	-1N-0	1.00nH	K	69	250	1700	0.045	1360	12700
	-2N-0	2.00nH	J,K	75	250	1700	0.700	1040	11100
	-2N-2	2.20nH	J,K	100	250	1700	0.070	960	10800
	-2N-7	2.70nH	G,J,K	61	250	1700	0.120	640	10400
	-3N-3	3.30nH	G,J,K	87	250	1700	0.066	840	7000
	-3N-9	3.90nH	G,J,K	75	250	1700	0.066	840	5800
	-4N-7	4.70nH	G,J,K	68	250	1700	0.130	640	4700
	-5N-6	5.60nH	G,J,K	81	250	1700	0.083	760	4800
	-6N-8	6.80nH	G,J,K	78	250	1700	0.083	680	4800
	-8N-2	8.20nH	G,J,K	84	250	1700	0.104	680	4400
	-10-N	10.00nH	G,J,K	67	250	1700	0.195	480	3900
	-12-N	12.00nH	G,J,K	71	250	1700	0.120	640	3600
	-15-N	15.00nH	G,J,K	77	250	1700	0.172	560	3280
	-18-N	18.00nH	G,J,K	62	250	1700	0.230	420	3100
	-22-N	22.00nH	G,J,K	53	250	1700	0.300	400	2800
	-27-N	27.00nH	G,J,K	63	250	1700	0.300	400	2480
	-33-N	33.00nH	G,J,K	32	250	1700	0.350	400	2350
	-47-N	47.00nH	G,J,K	37	250	1700	0.830	150	2100
-56-N	56.00nH	G,J,K	40	250	1700	0.970	100	1760	
-68-N	68.00nH	G,J,K	38	250	1700	1.120	100	1620	
555-0603	-2N-0	2.00nH	B,S	16	250	250	0.080	700	6900
	-3N-9	3.90nH	B,S	22	250	250	0.080	700	6900
	-4N-7	4.70nH	B,S	20	250	250	0.110	700	5800
	-6N-8	6.80nH	B,J,K	30	250	250	0.110	700	5800
	-8N-2	8.20nH	B,J,K	30	250	250	0.110	700	4600
	-10-N	10.0nH	G,J,K	30	250	250	0.130	700	4800
	-12-N	12.0nH	G,J,K	35	250	250	0.130	700	4000
	-15-N	15.0nH	G,J,K	35	250	250	0.170	700	4000
	-18-N	18.0nH	G,J,K	38	250	250	0.170	700	3100
	-22-N	22.0nH	G,J,K	38	250	250	0.220	700	3000
	-27-N	27.0nH	G,J,K	40	250	250	0.220	600	2800
	-33-N	33.0nH	G,J,K	43	250	250	0.220	600	2300
	-39-N	39.0nH	G,J,K	43	250	250	0.250	600	2200
	-4-7N	47.0nH	G,J,K	40	200	200	0.280	600	2000
	-56-N	56.0nH	G,J,K	40	200	200	0.310	600	1900
	-68-N	68.0nH	G,J,K	40	200	200	0.340	600	1700
	-72-N	72.0nH	G,J,K	35	150	150	0.490	400	1700
	-82-N	82.0nH	G,J,K	35	150	150	0.540	400	1700
	-R-10	100nH	G,J,K	35	150	150	0.630	400	1400
	-R-12	120nH	G,J,K	35	150	150	0.650	300	1300
-R-15	150nH	G,J,K	35	150	150	0.920	280	1000	
-R-18	180nH	G,J,K	30	100	100	1.25	240	1000	
-R-22	220nH	G,J,K	30	100	100	1.70	200	1000	
-R-27	270nH	G,J,K	30	100	100	1.80	170	1000	
555-0805	-2N-2	2.20nH	G,J,K,M	50	250	1500	0.080	600	6000
	-3N-3	3.30nH	G,J,K,M	50	250	1500	0.080	600	6000
	-6N-8	6.80nH	G,J,K,M	50	250	1000	0.110	600	5500
	-8N-2	8.20nH	G,J,K,M	50	250	1000	0.120	600	4700
	-12-N	12.0nH	G,J,K,M	50	250	500	0.150	600	4000
	-15-N	15.0nH	G,J,K,M	50	250	500	0.170	600	3400
	-18-N	18.0nH	G,J,K,M	50	250	500	0.200	600	3300
	-22-N	22.0nH	G,J,K,M	55	250	500	0.220	500	2600
	-27-N	27.0nH	G,J,K,M	55	250	500	0.250	500	2500
	-33-N	33.0nH	G,J,K,M	60	250	500	0.270	500	2050
-39-N	39.0nH	G,J,K,M	60	250	500	0.290	500	2000	

Temperature Range: -40°C to +125°C

Preferred tolerance in bold

Devices are RoHS compliant. Inductance drops typically 10% at DC Max. with a temperature rise of <15°C

Former : Ceramic

Terminals : Super-adhesion molybdenum/manganese with gold over plating

SURFACE MOUNT WIREWOUND CHIP INDUCTOR

Dimensions in inches (mm)

Basic Part No.	Inductance	Tolerance Available	"Q" Min.	Test Frequency (MHz)		DCR Max. (Ω)	DC Max. (mA)	SRF Min. (MHz)	
				Inductance	Q				
555-0805	-47-N	47.0nH	G,J,K,M	60	200	500	0.310	500	1650
	-56-N	56.0nH	G,J,K,M	60	200	500	0.340	500	1550
	-68-N	68.0nH	G,J,K,M	60	200	500	0.380	500	1450
	-82-N	82.0nH	G,J,K,M	65	150	500	0.420	400	1300
	-R-10	100nH	G,J,K,M	65	150	500	0.460	400	1200
	-R-12	120nH	G,J,K,M	50	150	250	0.510	400	1100
	-R-15	150nH	G,J,K,M	50	100	250	0.560	400	920
	-R-18	180nH	G,J,K,M	50	100	250	0.640	400	870
	-R-22	220nH	G,J,K,M	40	100	250	0.700	400	850
	-R-27	270nH	G,J,K,M	40	100	250	1.10	280	800
	-R-33	330nH	G,J,K,M	40	100	250	1.20	260	750
	-R-39	390nH	G,J,K,M	40	100	250	1.50	200	700
	-R-47	470nH	G,J,K,M	40	100	100	2.50	170	650
	-R-56	560nH	G,J,K,M	30	50	50	3.50	170	600
	-R-68	680nH	G,J,K,M	30	50	50	4.00	170	550
	-R-82	820nH	G,J,K,M	25	50	50	4.40	170	450
	-1-R0	1.00μH	G,J,K,M	25	50	50	4.70	150	350
555-1008	-10-N	10.0nH	G,J,K	50	50	500	0.080	1000	4100
	-12-N	12.0nH	G,J,K	50	50	500	0.090	1000	3300
	-15-N	15.0nH	G,J,K	50	50	500	0.110	1000	2500
	-18-N	18.0nH	G,J,K	50	50	350	0.110	1000	2500
	-22-N	22.0nH	G,J,K	55	50	350	0.120	1000	2400
	-27-N	27.0nH	G,J,K	55	50	350	0.130	1000	1600
	-33-N	33.0nH	G,J,K	60	50	350	0.140	1000	1600
	-39-N	39.0nH	G,J,K	60	50	350	0.150	1000	1500
	-47-N	47.0nH	G,J,K	65	50	350	0.160	1000	1500
	-56-N	56.0nH	G,J,K	65	50	350	0.180	1000	1300
	-68-N	68.0nH	G,J,K	65	50	350	0.200	1000	1300
	-82-N	82.0nH	G,J,K	60	50	350	0.220	1000	1000
	-R-10	100nH	G,J,K	60	25	350	0.560	650	1000
	-R-12	120nH	G,J,K	60	25	350	0.630	650	950
	-R-15	150nH	G,J,K	45	25	100	0.700	580	850
	-R-18	180nH	G,J,K	45	25	100	0.770	520	700
	-R-22	220nH	G,J,K	45	25	100	0.840	500	700
	-R-27	270nH	G,J,K	45	25	100	0.910	500	600
	-R-33	330nH	G,J,K	45	25	100	1.05	450	570
	-R-39	390nH	G,J,K	45	25	100	1.12	470	500
	-R-47	470nH	G,J,K	45	25	100	1.19	470	450
	-R-56	560nH	G,J,K	45	25	100	1.33	400	415
	-R-62	620nH	G,J,K	45	25	100	1.40	300	375
	-R-68	680nH	G,J,K	45	25	100	1.47	400	375
	-R-75	750nH	G,J,K	45	25	100	1.54	360	360
	-R-82	820nH	G,J,K	45	25	100	1.61	400	350
	-R-91	910nH	G,J,K	35	25	50	1.68	380	320
	-1R-0	1.00μH	G,J,K	35	25	50	1.75	370	290
	-1R-2	1.20μH	G,J,K	35	7.9	50	2.00	310	250
	-1R-5	1.50μH	G,J,K	28	7.9	50	2.30	330	200
	-1R-8	1.80μH	G,J,K	25	7.9	50	2.60	300	150
	-2R-2	2.20μH	G,J,K	25	7.9	50	2.80	280	130
	-2R-7	2.70μH	G,J,K	22	7.9	25	3.20	290	100
-3R-3	3.30μH	G,J,K	22	7.9	25	3.40	290	80	
-3R-9	3.90μH	G,J,K	20	7.9	25	3.60	260	60	
-4R-7	4.70μH	G,J,K	15	7.9	25	4.00	260	60	
-5R-6	5.60μH	G,J,K	20	7.9	7.9	7.00	200	55	
-6R-8	6.80μH	G,J,K	20	7.9	7.9	8.00	180	45	
-8R-2	8.20μH	G,J,K	20	7.9	7.9	9.50	150	35	
-10-0	10.0μH	G,J,K	20	7.9	7.9	12.0	100	25	

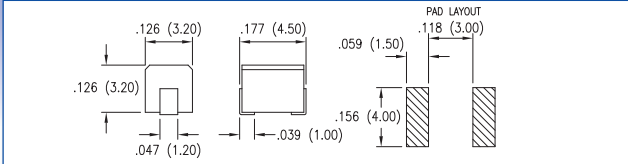
Series	A Max.	B Max.	C Max.	D Ref	E	F	G	H	J	K
555-0402	.050 (1.27)	.030 (0.76)	.024 (0.61)	.006 (0.15)	.020 (0.50)	.009 (0.23)	.022 (0.56)	.026 (0.66)	.020 (0.50)	.018 (0.46)
555-0603	.071 (1.80)	.047 (1.20)	.049 (1.25)	.020 (0.50)	.039 (1.00)	.013 (0.33)	.034 (0.860)	.040 (1.02)	.025 (0.64)	.025 (0.64)
555-0805	.090 (2.29)	.068 (1.73)	.060 (1.52)	.020 (0.50)	.047 (1.20)	.020 (0.50)	.040 (1.02)	.070 (1.78)	.040 (1.02)	.030 (0.76)
555-1008	.115 (2.92)	.110 (2.79)	.088 (2.23)	.020 (0.50)	.080 (2.03)	.020 (0.50)	.060 (1.52)	.100 (2.54)	.040 (1.02)	.050 (1.27)

RF INDUCTOR - MOULDED



Packaging Code	
-00	Loose
-36	Tape (2,000 per reel)
-38	Tape (500 per reel)

Inductance Tolerance Coded Dash Numbers		
J	±5%	To Order
K	±10%	Standard
M	±20%	To Order



How to order code

555 - 1812 - XXX - X - XX

Basic Part No. Packaging
Inductance Tolerance
Inductance Code

Basic Part No.	Inductance	"Q" Min.	Test Frequency (MHz)	DCR Max. (Ω)	DC Max. (mA)	SRF Min. (MHz)
-R10	0.100μH	35	25.2	0.180	800	300
-R12	0.120μH	35	25.2	0.200	770	280
-R15	0.150μH	35	25.2	0.220	730	250
-R18	0.180μH	35	25.2	0.240	700	220
-R22	0.220μH	40	25.2	0.250	665	200
-R27	0.270μH	40	25.2	0.260	635	180
-R33	0.330μH	40	25.2	0.280	605	165
-R39	0.390μH	40	25.2	0.300	575	150
-R47	0.470μH	40	25.2	0.320	545	145
-R56	0.560μH	40	25.2	0.360	520	140
-R68	0.680μH	40	25.2	0.400	500	135
-R82	0.820μH	40	25.2	0.450	475	130
-1R0	1.00μH	50	7.96	0.500	450	100
-1R2	1.20μH	50	7.96	0.550	430	80.0
-1R5	1.50μH	50	7.96	0.600	410	70.0
-1R8	1.80μH	50	7.96	0.650	390	60.0
-2R2	2.20μH	50	7.96	0.700	380	55.0
-2R7	2.70μH	50	7.96	0.750	370	50.0
-3R3	3.30μH	50	7.96	0.800	355	45.0
-3R9	3.90μH	50	7.96	0.900	330	40.0
-4R7	4.70μH	50	7.96	1.00	315	35.0
-5R6	5.60μH	50	7.96	1.10	300	33.0
-6R8	6.80μH	50	7.96	1.20	285	27.0
-8R2	8.20μH	50	7.96	1.40	270	25.0
555-1812 -100	10.0μH	50	2.52	1.60	250	20.0
-120	12.0μH	50	2.52	2.00	225	18.0
-150	15.0μH	50	2.52	2.50	200	17.0
-180	18.0μH	50	2.52	2.80	190	15.0
-220	22.0μH	50	2.52	3.20	180	13.0
-270	27.0μH	50	2.52	3.60	170	12.0
-330	33.0μH	50	2.52	4.00	160	11.0
-390	39.0μH	50	2.52	4.50	150	10.0
-470	47.0μH	50	2.52	5.00	140	10.0
-560	56.0μH	50	2.52	5.50	135	9.00
-680	68.0μH	50	2.52	6.00	130	9.00
-820	82.0μH	50	2.52	7.00	120	8.00
-101	100μH	40	0.796	8.00	110	8.00
-121	120μH	40	0.796	8.00	110	6.00
-151	150μH	40	0.796	9.00	105	5.00
-181	180μH	40	0.796	9.50	102	5.00
-221	220μH	40	0.796	10.0	100	4.00
-271	270μH	40	0.796	12.0	92.0	4.00
-331	330μH	40	0.796	14.0	85.0	3.50
-391	390μH	40	0.796	18.0	80.0	3.00
-471	470μH	40	0.796	26.0	62.0	3.00
-561	560μH	30	0.796	30.0	50.0	3.00
-681	680μH	30	0.796	30.0	50.0	3.00
-821	820μH	30	0.796	35.0	30.0	2.50
-102	1.00mH	20	0.252	40.0	30.0	2.50

Temperature Range: -40°C to +125°C

Devices are RoHS compliant
Inductance drops typically 10% at DC Max..

SURFACE MOUNT SHIELDED POWER INDUCTOR

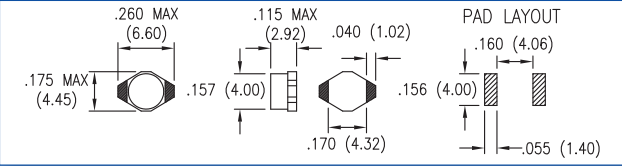
Dimensions in inches (mm)



Packaging
2,500 pcs per 330mm reel

Inductance Tolerance Coded Dash Numbers

K	±10%	To Order
M	±20%	Standard



How to order code

555 - 1608 - XX - XX - 36

Basic Part No.

Inductance Tolerance
Inductance Code

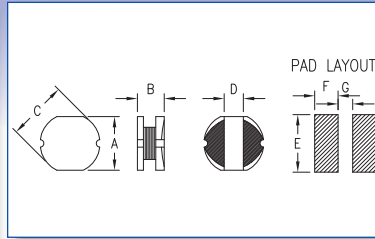
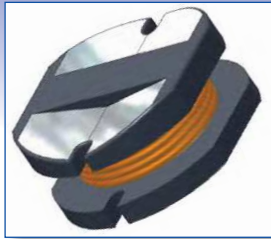
Basic Part No.	Inductance	Test Frequency (KHz)	DCR Max. (Ω)	DC Max. (A)
555-1608 -1R-0	1.00μH	100	0.040	3.0
555-1608 -1R-5	1.50μH	100	0.045	2.8
555-1608 -2R-2	2.20μH	100	0.050	1.8
555-1608 -3R-3	3.30μH	100	0.055	1.6
555-1608 -4R-7	4.70μH	100	0.060	1.4
555-1608 -6R-8	6.80μH	100	0.065	1.2
555-1608 -10-0	10.0μH	100	0.075	1.0
555-1608 -15-0	15.0μH	100	0.090	0.80
555-1608 -22-0	22.0μH	100	0.110	0.70
555-1608 -33-0	33.0μH	100	0.190	0.60
555-1608 -47-0	47.0μH	100	0.230	0.50
555-1608 -68-0	68.0μH	100	0.290	0.40
555-1608 -10-1	100μH	100	0.480	0.30
555-1608 -15-1	150μH	100	0.590	0.26
555-1608 -22-1	220μH	100	0.770	0.22
555-1608 -33-1	330μH	100	1.40	0.20
555-1608 -47-1	470μH	100	1.80	0.19
555-1608 -68-1	680μH	100	2.20	0.18
555-1608 -10-2	1.00mH	100	3.40	0.15
555-1608 -15-2	1.50mH	100	4.20	0.12
555-1608 -22-2	2.20mH	100	8.50	0.10
555-1608 -33-2	3.30mH	100	11.0	0.08
555-1608 4-7-2	4.70mH	100	13.9	0.06
555-1608 -68-2	6.80mH	100	25.0	0.04
555-1608 -10-3	10.0mH	100	32.8	0.02

Temperature Range: -40°C to +85°C

Devices are RoHS compliant
Inductance drops typically 10% at DC Max..
with a temperature rise of 30°C

SURFACE MOUNT UNSHIELDED POWER INDUCTOR

Dimensions in inches (mm)



Inductance Tolerance Coded Dash Numbers

K	±10%	To Order
M	±20%	Standard

Packaging

555-8060/8062	1,500 pcs per 330mm reel
555-8064/8066	1,000 pcs per 330mm reel
555-8068	500 pcs per 330mm reel

How to order code

555 - 80XX - XX - XX - 36

Basic Part No. Inductance Tolerance
Inductance Code

Basic Part No.	Inductance (µH)	Test Frequency (MHz)	DCR Max. (Ω)	DC Max. (A)	
555-8060	-1R-0	1.00	7.96	0.033	3.80
	-1R-4	1.40	7.96	0.038	3.30
	-1R-8	1.80	7.96	0.042	2.91
	-2R-2	2.20	7.96	0.047	2.60
	-2R-7	2.70	7.96	0.052	2.43
	-3R-3	3.30	7.96	0.058	2.15
	-3R-9	3.90	7.96	0.076	1.98
	-4R-7	4.70	7.96	0.094	1.70
	-5R-6	5.60	7.96	0.101	1.60
	-6R-8	6.80	7.96	0.117	1.41
	-8R-2	8.20	7.96	0.132	1.26
	-10-0	10.0	2.52	0.182	1.15
	-12-0	12.0	2.52	0.210	1.05
	-15-0	15.0	2.52	0.235	0.920
	-18-0	18.0	2.52	0.338	0.840
	-22-0	22.0	2.52	0.378	0.760
	-27-0	27.0	2.52	0.522	0.710
	-33-0	33.0	2.52	0.540	0.640
	-39-0	39.0	2.52	0.587	0.590
	-47-0	47.0	2.52	0.844	0.540
	-56-0	56.0	2.52	0.937	0.500
	-68-0	68.0	2.52	1.12	0.460
	-82-0	82.0	0.100	1.35	0.450
	-10-1	100	0.100	1.52	0.440
	-12-1	120	0.100	1.80	0.430
	-15-1	150	0.100	2.00	0.420
	-18-1	180	0.100	3.20	0.380
	-22-1	220	0.100	3.40	0.360
	-27-1	270	0.100	3.90	0.340
	-33-1	330	0.100	5.30	0.280
-39-1	390	0.100	5.90	0.240	
-47-1	470	0.100	6.80	0.210	
-56-1	560	0.100	8.50	0.200	
-68-1	680	0.100	10.0	0.180	
-82-1	820	0.100	13.4	0.150	
-10-2	1000	0.100	15.6	0.140	
555-8062	-1R-0	1.00	7.96	0.015	5.90
	-1R-2	1.20	7.96	0.020	5.20
	-1R-5	1.50	7.96	0.025	4.70
	-1R-8	1.80	7.96	0.030	4.00
	-2R-2	2.20	7.96	0.035	3.80
	-2R-7	2.70	7.96	0.040	3.40
	-3R-3	3.30	7.96	0.045	3.30
	-3R-9	3.90	7.96	0.050	2.90
	-4R-7	4.70	7.96	0.060	2.80
	-5R-6	5.60	7.96	0.070	2.40
	-6R-8	6.80	7.96	0.080	2.10
	-8R-2	8.20	7.96	0.090	2.00
	-10-0	10.0	2.52	0.10	1.44
	-12-0	12.0	2.52	0.12	1.40
	-15-0	15.0	2.52	0.14	1.30
	-18-0	18.0	2.52	0.15	1.23
	-22-0	22.0	2.52	0.18	1.11
	-27-0	27.0	2.52	0.20	0.970
	-33-0	33.0	2.52	0.23	0.880
	-39-0	39.0	2.52	0.32	0.800
	-47-0	47.0	2.52	0.37	0.720
	-56-0	56.0	2.52	0.42	0.680
	-68-0	68.0	2.52	0.46	0.610
	-82-0	82.0	2.52	0.60	0.580
	-10-1	100	0.100	0.70	0.520
	-12-1	120	0.100	0.93	0.480
	-15-1	150	0.100	1.1	0.400
-18-1	180	0.100	1.4	0.380	
-22-1	220	0.100	1.6	0.350	
-27-1	270	0.100	1.7	0.320	

Temperature Range: -40°C to +105°C

Devices are RoHS compliant
Inductance drops typically 10% at DC Max..
Dimensional Tolerance ±.012 (±0.3)

SURFACE MOUNT UNSHIELDED POWER INDUCTOR

	Basic Part No.	Inductance (µH)	Test Frequency (MHz)	DCR Max. (Ω)	DC Max. (A)	
555-8062	-33-1	330	0.100	1.7	0.280	
	-39-1	390	0.100	1.8	0.260	
	-47-1	470	0.100	2.3	0.230	
	-56-1	560	0.100	2.5	0.200	
	-68-1	680	0.100	3.0	0.190	
	-82-1	820	0.100	4.5	0.160	
	-10-2	1000	0.100	4.8	0.140	
555-8064	-10-0	10.0	2.52	0.080	1.44	
	-12-0	12.0	2.52	0.090	1.39	
	-15-0	15.0	2.52	0.10	1.24	
	-18-0	18.0	2.52	0.11	1.10	
	-22-0	22.0	2.52	0.13	1.00	
	-27-0	27.0	2.52	0.15	0.900	
	-33-0	33.0	2.52	0.17	0.850	
	-39-0	39.0	2.52	0.22	0.740	
	-47-0	47.0	2.52	0.25	0.680	
	-56-0	56.0	2.52	0.28	0.640	
	-68-0	68.0	2.52	0.33	0.590	
	-82-0	82.0	2.52	0.41	0.540	
	-10-1	100	0.100	0.48	0.510	
	-12-1	120	0.100	0.54	0.490	
	-15-1	150	0.100	0.75	0.400	
	-18-1	180	0.100	1.0	0.360	
	-22-1	220	0.100	1.2	0.310	
	-27-1	270	0.100	1.3	0.290	
	-33-1	330	0.100	1.5	0.280	
	-39-1	390	0.100	1.8	0.260	
	-47-1	470	0.100	2.0	0.230	
	-56-1	560	0.100	2.3	0.210	
	-68-1	680	0.100	2.7	0.130	
	-82-1	820	0.100	3.2	0.110	
	-10-2	1000	0.100	3.8	0.080	
	555-8066	-10-0	10.0	2.52	0.070	2.30
		-12-0	12.0	2.52	0.080	2.00
-15-0		15.0	2.52	0.090	1.80	
-18-0		18.0	2.52	0.10	1.60	
-22-0		22.0	2.52	0.11	1.50	
-27-0		27.0	2.52	0.12	1.30	
-33-0		33.0	2.52	0.13	1.20	
-39-0		39.0	2.52	0.16	1.10	
-47-0		47.0	2.52	0.18	1.10	
-56-0		56.0	2.52	0.24	0.940	
-68-0		68.0	2.52	0.28	0.850	
-82-0		82.0	2.52	0.37	0.780	
-10-1		100	0.100	0.43	0.720	
-12-1		120	0.100	0.47	0.660	
-15-1		150	0.100	0.64	0.580	
-18-1		180	0.100	0.71	0.510	
-22-1		220	0.100	0.96	0.490	
-27-1		270	0.100	1.1	0.420	
-33-1		330	0.100	1.3	0.400	
-39-1		390	0.100	1.8	0.360	
-47-1		470	0.100	2.0	0.340	
-56-1		560	0.100	2.0	0.330	
-68-1		680	0.100	2.2	0.320	
-82-1		820	0.100	2.9	0.250	
-10-2		1000	0.100	3.9	0.200	
555-8068		-10-0	10.0	2.52	0.060	2.60
		-12-0	12.0	2.52	0.070	2.45
	-15-0	15.0	2.52	0.080	2.27	
	-18-0	18.0	2.52	0.090	2.15	
	-22-0	22.0	2.52	0.10	1.95	
	-27-0	27.0	2.52	0.11	1.76	
	-33-0	33.0	2.52	0.12	1.50	
	-39-0	39.0	2.52	0.14	1.37	
	-47-0	47.0	2.52	0.17	1.28	
	-56-0	56.0	2.52	0.19	1.17	
	-68-0	68.0	2.52	0.22	1.11	
	-82-0	82.0	2.52	0.25	1.00	
	-10-1	100	0.100	0.35	0.970	
	-12-1	120	0.100	0.40	0.890	
	-15-1	150	0.100	0.47	0.780	
	-18-1	180	0.100	0.63	0.720	
	-22-1	220	0.100	0.73	0.660	
	-27-1	270	0.100	0.97	0.570	
	-33-1	330	0.100	1.2	0.520	
	-39-1	390	0.100	1.3	0.480	
	-47-1	470	0.100	1.5	0.420	
	-56-1	560	0.100	1.9	0.330	
	-68-1	680	0.100	2.3	0.280	
	-82-1	820	0.100	2.6	0.240	
	-10-2	1000	0.100	3.0	0.200	

Series	A	B	Ø C	D	E	F	G
555-8060	.157 (4.00)	.126 (3.20)	.177 (4.50)	.059 (1.50)	.177 (4.50)	.083 (2.10)	.031 (0.80)
555-8062	.205 (5.20)	.177 (4.50)	.228 (5.80)	.079 (2.00)	.217 (5.50)	.089 (2.25)	.059 (1.50)
555-8064	.276 (7.00)	.138 (3.50)	.307 (7.80)	.098 (2.50)	.295 (7.50)	.120 (3.05)	.075 (01.90)
555-8066	.264 (7.00)	.197 (5.00)	.307 (7.80)	.098 (2.50)	.295 (7.500)	.120 (3.05)	.075 (1.90)
555-8068	.354 (9.00)	.213 (5.40)	.394 (10.00)	.114 (2.90)	.295 (9.50)	.144 (3.65)	.098 (2.50)

CLASS-D POWER INDUCTOR

Dimensions in inches (mm)

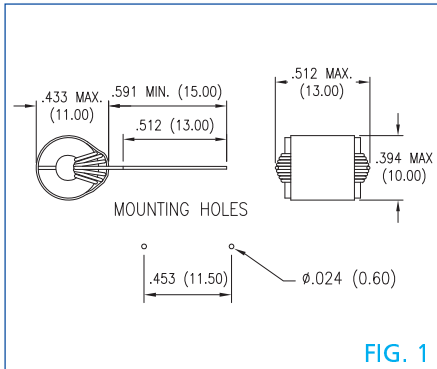
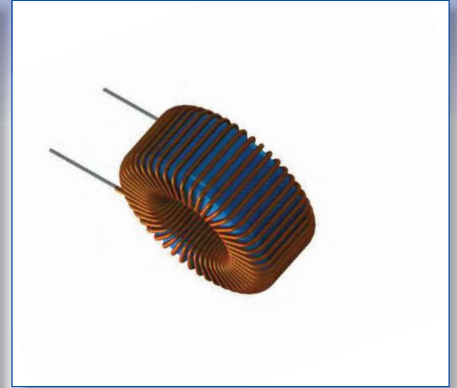


FIG. 1

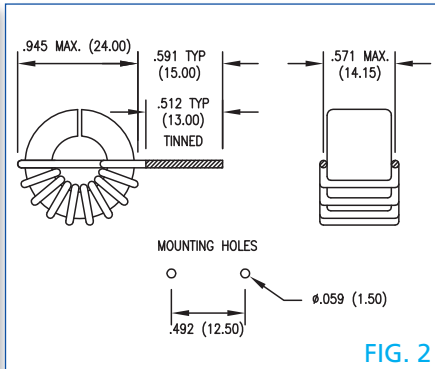


FIG. 2

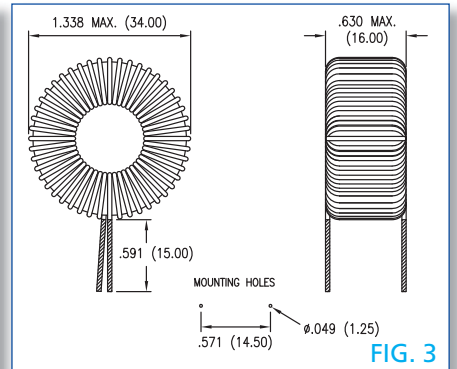


FIG. 3

How to order code

555 - 88XX - XX - 00 - 00

Basic Part No.

Inductance Code

Fig.	Basic Part No.	Inductance Typical	I rated (A)	Test Frequency (KHz)	Saturation Current I _{sat} (A)			DCR Max. (mΩ)
					at -40°C	at +25°C	at +125°C	
1	-10	10.0μH	3.5	100	8.00	6.00	5.00	70.0
	555-8810 -20	20.0μH	3	100	7.50	6.50	4.50	100
	-30	30.0μH	1	100	5.00	4.00	3.25	130
2	-10	10.0μH	8	100	9.50	8.50	7.50	10.0
	555-8820 -20	20.0μH	7	100	8.00	7.50	6.50	15.0
	-30	30.0μH	5	100	6.00	5.25	4.50	25.0
3	-10	10.0μH	9.5	100	37.5	37.0	32.0	35.0
	555-8830 -20	20.0μH	9	100	37.0	36.0	30.0	45.0
	-30	30.0μH	7	100	27.0	25.0	23.0	55.0

Devices are RoHS compliant

Inductance at I_{rated} is a typical inductance value measured when the inductor is subjected to the rated current

Designed to match Zetex ZXCD series Class-D audio solutions