

SINGLE AXIS HALL EFFECT JOYSTICK WITH RETURN TO CENTER FEATURE



The JHS-RC0001 is a high reliability single axis, spring-return-to-center joystick, resistant to the levels of temperature, shock, vibration and EMI/RFI typically found in off-highway construction environments. The contactless Hall effect sensor eliminates many of the failures associated with traditional joystick technology. The JHS-RC has been tested to four million cycles with no sign of boot wear and no degradation of electrical performance. The electronics are sealed to IP68S. It offers resistance to RFI at 100V/M and EMI per MIL-STD-461D/SAE J1113-22; standard 0.5 to 4.5VDC proportional output. The JHS-RC is recommended for the construction and off-road vehicle market.

Features:

- Rugged compact design
- Hall effect contactless sensing
- Tested to 4 million cycles
- Smooth spring return to center
- +/- 25° travel in a rugged housing
- Outstanding EMI/RFI immunity
- Redundant output available
- RoHS/WEEE/Reach compliant

Standard Characteristics/Ratings:

ELECTRICAL RATINGS: Rated at 5V @ 20°C Load = 1ma (4.7kΩ)

Electrical				
	Units	Min	Typ	Max
Supply Voltage	VDC	4.5	5	5.5
Output Tolerance at Full Travel Direction 1 (+ Travel)	VDC @ 5V Vcc	-.25	N/A	+ .25
Output Tolerance at Full Travel Direction 2 (- Travel)	VDC @ 5V Vcc	-.25	N/A	+ .25
Output Tolerance at Center	VDC @ 5V Vcc	-.25	N/A	+ .25
Supply Current Per Sensor (B = 0, Vcc = 5V, Io = 0)	mA	N/A	N/A	10

ELECTRONICS:

Seal Integrity: Electronics watertight per IP68S

MECHANICAL:

Mechanical Life: 4 million cycles

Travel Angle: 25° typical, 24° min to 26° max

Operating Force: 2.5 lbs. typical, 1.5 lbs. min to 3.5 lbs. max

ENVIRONMENTAL:

Operating Temp Range: -40°C to +85°C

Humidity: 96% RH, 70°C, 96 hours

Vibration: Per MIL-810F min integrity

RFI: Withstand 100V/M, 14KHz to 1GHz

EMI: Withstand per MIL-STD-461D/SAE J1113-22

MATERIALS:

Housing: Thermoplastic

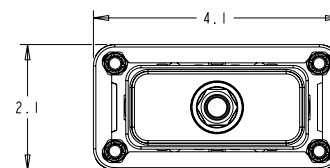
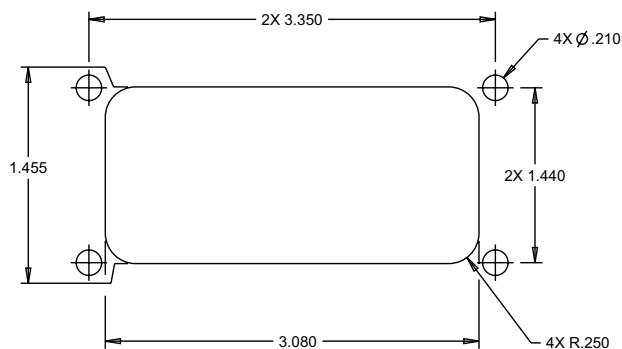
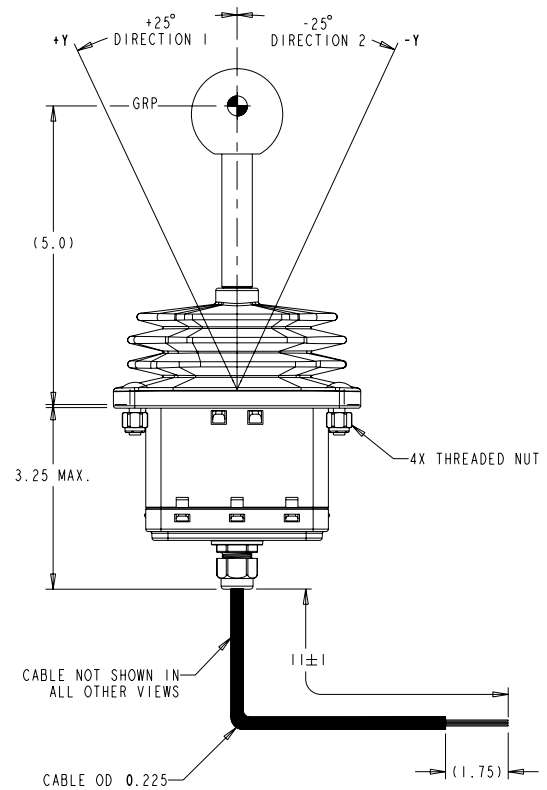
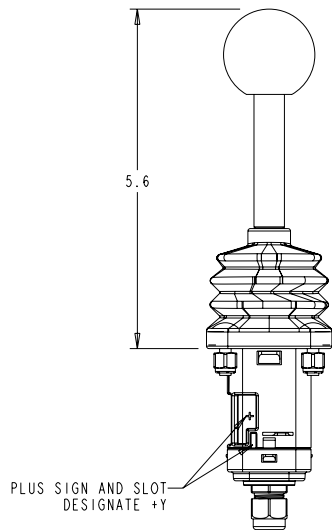
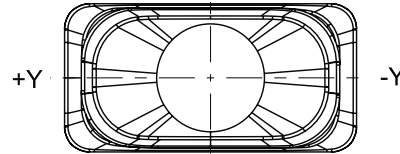
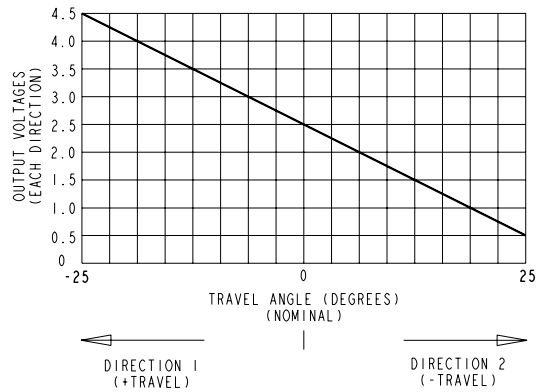
Bellows: EPDM, black (typical)

Cable: 3/22 AWG (19 strands of 34 AWG TSC)
PVC/Polyurethane blend outer jacket

Mounting Hardware: 10-24 x 3/4 carriage bolts, self-locking nuts

SINGLE AXIS RETURN TO CENTER JOYSTICK

SINGLE AXIS HALL EFFECT JOYSTICK WITH RETURN TO CENTER FEATURE



HALL EFFECT