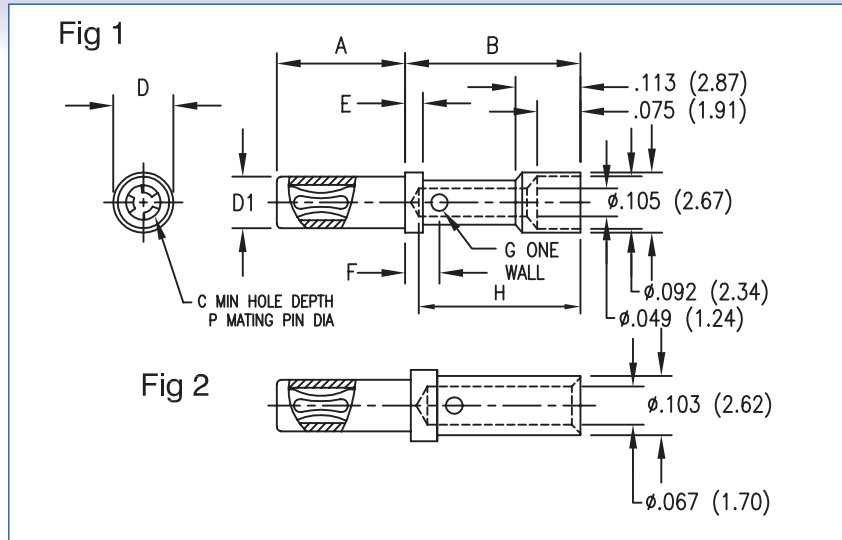
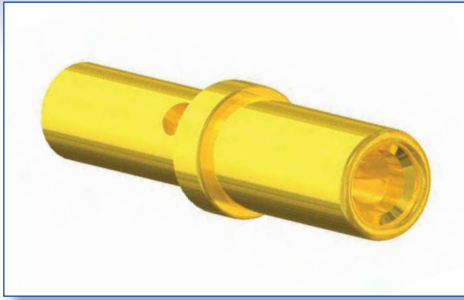


SINGLE POLE SOCKETS - PATCHCORD CRIMP

Dimensions in inches (mm)

See page 91 for recommended Crimping Pliers



How to order code

450 - XXXX - 01 - XX - XX

Basic Part No. | Insulator Colour | Socket Finish

Material Code Table			Finish Code Table				Insulation Colour Code Table	
Component	Material	RoHS	Dash No.	Body Finish	Spring Finish	RoHS	Dash No.	Colour
Body	Brass	✓	-03	Gold over Nickel	Gold over Nickel	✓	-00	None
Spring	Beryllium Copper (Heat Treated)	✓	-04	Electro-Tin	Electro-Tin	✓	-10	Black
Insulation	Polyolefin Plastic	✓	-06	Electro-Tin	Gold over Nickel	✓		

Fig.	Basic Part No.	P	A	B	C	D	D1	E	F	G	H
1	450-3367 -01	.040 (1.02)	.224 (5.69)	.306 (7.77)	.185 (4.70)	.105 (2.67)	.091 (2.29)	.031 (0.79)	.060 (1.52)	.029 (0.74)	.282 (7.16)
	Also available with black polyolefin sleeve as 450-3378-01-XX-10										
	450-1807 -01	.080 (2.03)	.420 (10.67)	.306 (7.77)	.375 (9.53)	.170 (4.32)	.143 (3.63)	.031 (0.79)	.060 (1.52)	.029 (0.74)	.282 (7.16)
2	450-0016 -01	.061 (1.55)	.234 (5.94)	.296 (7.52)	.190 (4.83)	.141 (3.58)	.119 (3.02)	.046 (1.17)	.076 (1.93)	.039 (0.99)	.267 (6.78)
	Also available with black polyolefin sleeve as 450-3413-01-XX-10										

450-3367/450-3378/450-1807

Recommended hook-up wire size - #22AWG, 7 strands #30 AWG copper wire PTFE insulated

Sockets also accommodate #20 AWG, 7 strands #28 AWG copper wire

#24 AWG, 7 strands #32 AWG copper wire

450-0016/450-3413

Recommended hook-up wire size - #20 AWG, 7 strands #28 AWG copper wire PTFE insulated

Sockets also accommodate #18 AWG, 7 strands #26 AWG copper wire

#16 AWG, 19 strands #29 AWG copper wire