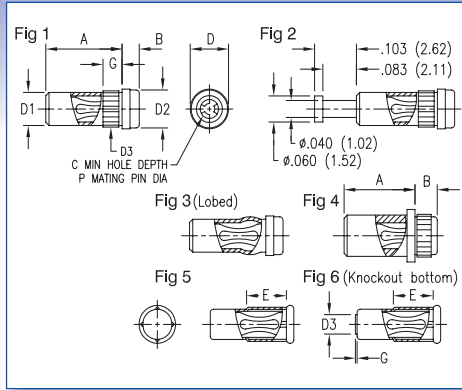


SINGLE POLE SOCKETS - PRESS MOUNT



Dimensions in inches (mm)
See page 91 for recommended Anvil and Punch

How to order code

450 - XXXX - XX - XX - 00

Basic Part No.

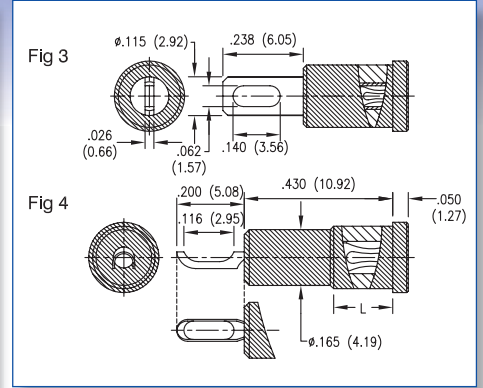
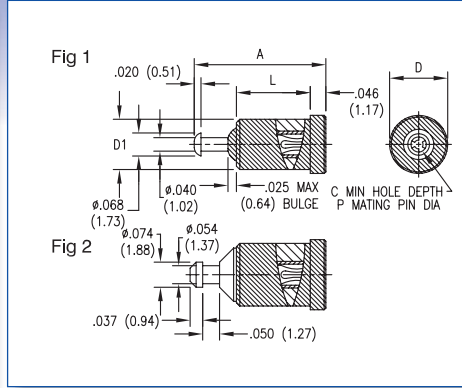
Finish

Material Code Table		
Component	Material	RoHS
Body	Brass Copper*	✓ ✓
Spring	Beryllium Copper (Heat Treated)	✓

Finish Code Table			
Dash No.	Body Finish	Spring Finish	RoHS
-03	Gold over Nickel	Gold over Nickel	✓
-04	Electro-Tin	Electro-Tin	✓
-06	Electro-Tin	Gold over Nickel	✓

Fig.	Basic Part No.	P	A	B	C	D	D1	D2	D3	E	G	Board Thickness	Mtg. Hole Diameter
1	450-3720 -01	.031 (0.79)	.213 (5.41)	.037 (0.94)	.185 (4.70)	.110 (2.79)	.080 (2.03)	.092 (2.34)	.092 (2.34)	-	.070 (1.78)	.062 (1.57)	.089 (2.26)
	450-3954 -01	.040 (1.02)	.140 (3.56)	.080 (2.03)	.185 (4.70)	.102 (2.59)	.072 (1.83)	.092 (2.34)	.081 (2.06)	-	.052 (1.32)	-	.076 (1.93)
	450-3721 -01	.040 (1.02)	.213 (5.41)	.037 (0.94)	.185 (4.70)	.110 (2.79)	.080 (2.03)	.092 (2.34)	.092 (2.34)	-	.070 (1.78)	.062 (1.57)	.089 (2.26)
	450-5348 -01	.040 (1.02)	.090 (2.30)	.129 (3.29)	.185 (4.70)	.102 (2.59)	.072 (1.83)	.092 (2.34)	.081 (2.06)	-	.052 (1.32)	-	.076 (1.93)
2	450-3755 -01	.040 (1.02)	.200 (5.08)	.040 (1.02)	.185 (4.70)	.110 (2.79)	.082 (2.08)	.092 (2.34)	.092 (2.34)	-	.070 (1.78)	.062 (1.57)	.089 (2.26)
3	450-3752 -01	.040 (1.02)	.140 (3.56)	.080 (2.03)	.185 (4.70)	.102 (2.59)	.074 (1.88)	.092 (2.34)	-	-	-	-	.076 (1.93)
4	450-1801 -01	.040 (1.02)	.175 (4.45)	.055 (1.40)	.185 (4.70)	.125 (3.18)	.100 (2.54)	.092 (2.34)	.103 (2.62)	-	-	-	.099 (2.53)
5	450-1804 -01	.061 (1.55)	.195 (4.95)	.018 (0.46)	.200 (5.08)	.120 (3.05)	.098 (2.49)	-	-	.100 (2.54)	-	-	.102 (2.59)
	450-1806 -01	.080 (2.03)	.356 (9.04)	.015 (0.38)	.360 (9.14)	.143 (3.63)	.114 (2.90)	-	-	.150 (3.81)	-	-	.116 (2.95)
	450-3983 -01*	.025 (0.64)	.138 (3.51)	.020 (0.51)	.141 (3.58)	.074 (1.88)	.053 (1.35)	-	-	.080 (2.03)	-	-	.055 (1.40)
	450-3998 -01*	.031 (0.79)	.188 (4.78)	.018 (0.46)	.190 (4.83)	.090 (2.29)	.073 (1.85)	-	-	.100 (2.54)	-	-	.076 (1.93)
	450-3729 -01*	.040 (1.02)	.188 (4.78)	.018 (0.46)	.190 (4.83)	.090 (2.29)	.073 (1.85)	-	-	.100 (2.54)	-	-	.076 (1.93)
6	450-3723 -01*	.040 (1.02)	.188 (4.78)	.018 (0.46)	.190 (4.83)	.090 (2.29)	.073 (1.85)	-	.046 (1.17)	-	.005 (0.13)	-	.076 (1.93)

SINGLE POLE SOCKETS - INSULATED, PRESS MOUNT



How to order code
450 - XXXX - 01 - XX - XX

Basic Part No. | Insulator Colour | Socket Finish

Dimensions in inches (mm)
 See page 89 for Mounting Instructions

Material Code Table		
Component	Material	RoHS
Insulator	PTFE	✓*
Socket Body	Brass	✓
Socket Spring	Beryllium Copper (Heat Treated)	✓

Finish Code Table			
Dash No.	Body Finish	Spring Finish	RoHS
-03	Gold over Nickel	Gold over Nickel	✓
-04	Electro-Tin	Electro-Tin	✓
-06	Electro-Tin	Gold over Nickel	✓

Insulation Colour Code Table	
Dash No.	Colour
-10	Black
-12	Red*
-19	White

Fig.	Basic Part No.	A	For Panel Thickness	C	D	D1	L	P	Flashover at Sea Level (Vrms)	Capacitance (pf)	Mtg. Hole Diameter
1	450-4352 -01	.390 (9.91)	.031 (0.79) to .094 (2.39)	.190 (4.83)	.172 (4.37)	.149 (3.78)	.219 (5.56)	.040 (1.02)	2500	.7	.136 (3.45)
	450-4353 -01	.390 (9.91)	.031 (0.79) to .094 (2.39)	.190 (4.83)	.219 (5.56)	.185 (4.70)	.219 (5.56)	.040 (1.02)	2500	.6	.172 (4.37)
2	450-5237 -01	.413 (10.49)	.031 (0.79) to .094 (2.39)	.214 (5.44)	.219 (5.56)	.185 (4.70)	.242 (6.15)	.050 (1.27)	2500	.7	.172 (4.37)
	450-3374 -01	.453 (11.51)	.031 (0.79) to .230 (5.84)	.340 (8.64)	.219 (5.56)	.185 (4.70)	.270 (6.86)	.080 (2.03)	1800	.7	.172 (4.37)
3	450-4354 -01	.688 (17.48)	.031 (0.79) to .125 (3.18)	.332 (8.43)	.250 (6.35)	.216 (5.49)	.400 (10.16)	.080 (2.03)	2000	1.2	.203 (5.16)
4	450-4355 -01	.680 (17.27)	.031 (0.79) to .125 (3.18)	.350 (8.89)	.219 (5.56)	.185 (4.70)	.175 (4.45)	.080 (2.03)	2000	1.0	.172 (4.37)

*Red PTFE is NOT RoHS compliant