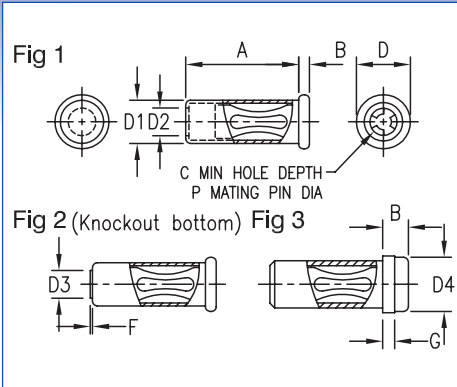


SINGLE POLE SOCKETS - SOLDER MOUNT

Dimensions in inches (mm)



How to order code

450 - XXXX - XX - XX - 00

Basic Part No. | Finish

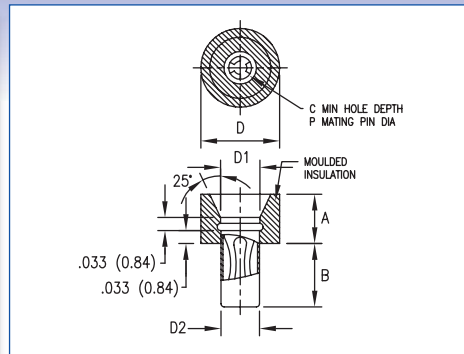
Material Code Table		
Component	Material	RoHS
Body	Brass	✓
	Copper*	✓
Spring	Beryllium Copper (Heat Treated)	✓

Finish Code Table			
Dash No.	Body Finish	Spring Finish	RoHS
-03	Gold over Nickel	Gold over Nickel	✓
-04	Electro-Tin	Electro-Tin	✓
-06	Electro-Tin	Gold over Nickel	✓

Fig.	Basic Part No.	P	A	B	C	D	D1	D2	D4	G	Mtg. Hole Diameter
1	450-2598 -01	.019 (0.48)	.208 (5.28)	.032 (0.81)	-	.063 (1.60)	.049 (1.24)	.026 (0.66)	-	-	.052 (1.32)
	450-3268 -01	.019 (0.48)	.208 (5.28)	.032 (0.81)	.215 (5.46)	.063 (1.60)	.049 (1.24)	-	-	-	.052 (1.32)
	450-3772 -01*	.019 (0.48)	.212 (5.38)	.015 (0.38)	.207 (5.26)	.060 (1.52)	.049 (1.24)	-	-	-	.052 (1.32)
	-02*	.019 (0.48)	.208 (5.28)	.015 (0.38)	-	.060 (1.52)	.049 (1.24)	.030 (0.76)	-	-	.052 (1.32)
	450-3703 -01*	.025 (0.64)	.142 (3.61)	.020 (0.51)	.141 (3.58)	.074 (1.88)	.053 (1.35)	-	-	-	.055 (1.40)
	450-3718 -01*	.031 (0.79)	.188 (4.78)	.018 (0.46)	.190 (4.83)	.090 (2.29)	.073 (1.85)	-	-	-	.076 (1.93)
	450-7004 -01	.031 (0.79)	.235 (5.97)	.030 (0.76)	.182 (4.62)	.091 (2.31)	.068 (1.73)	-	-	-	.073 (1.85)
	450-3704 -01*	.040 (1.02)	.188 (4.78)	.018 (0.46)	.190 (4.83)	.090 (2.29)	.073 (1.85)	-	-	-	.076 (1.93)
	450-3722 -01	.050 (1.27)	.195 (4.95)	.018 (0.46)	.200 (5.08)	.120 (3.05)	.098 (2.49)	-	-	-	.102 (2.59)
	450-1813 -01	.061 (1.55)	.195 (4.95)	.018 (0.46)	-	.120 (3.05)	.098 (2.49)	.071 (1.80)	-	-	.102 (2.59)
	450-3326 -01	.061 (1.55)	.195 (4.95)	.018 (0.46)	.200 (5.08)	.120 (3.05)	.098 (2.49)	-	-	-	.102 (2.59)
	450-1812 -01	.065 (1.65)	.195 (4.95)	.018 (0.46)	-	.120 (3.05)	.098 (2.49)	.071 (1.80)	-	-	.102 (2.59)
450-3708 -01	.080 (2.03)	.350 (8.89)	.020 (0.51)	.360 (9.14)	.143 (3.63)	.114 (2.90)	-	-	-	.116 (2.95)	
2	450-3716 -01*	.040 (1.02)	.190 (4.83)	.018 (0.46)	.190 (4.83)	.090 (2.29)	.073 (1.85)	.046 (1.17)	-	.013 (0.33)	.076 (1.93)
3	450-3230 -01	.025 (0.64)	.112 (2.84)	.080 (2.03)	.150 (3.81)	.080 (2.03)	.058 (1.47)	-	.073 (1.85)	.030 (0.76)	.062 (1.57)
	450-3293 -01	.025 (0.64)	.102 (2.59)	.080 (2.03)	-	.080 (2.03)	.058 (1.47)	.046 (1.17)	.073 (1.85)	.030 (0.76)	.062 (1.57)
	450-3286 -01	.040 (1.02)	.200 (5.08)	.036 (0.91)	-	.125 (3.18)	.085 (2.16)	.062 (1.57)	.092 (2.34)	.020 (0.51)	.089 (2.26)
	450-3366 -01	.040 (1.02)	.125 (3.18)	.192 (4.88)	.192 (4.88)	.125 (3.18)	.085 (2.16)	-	.091 (2.31)	.032 (0.81)	.089 (2.26)
	450-3388 -01	.040 (1.02)	.200 (5.08)	.036 (0.91)	.190 (4.83)	.125 (3.18)	.085 (2.16)	-	.092 (2.34)	.020 (0.51)	.089 (2.26)
	450-5301 -01	.040 (1.02)	.112 (2.85)	.108 (2.75)	.185 (4.70)	.102 (2.59)	.074 (1.88)	-	.092 (2.34)	.030 (0.76)	.076 (1.93)
	450-3256 -01	.080 (2.03)	.312 (7.92)	.100 (2.54)	-	.188 (4.78)	.142 (3.61)	.104 (2.64)	.143 (3.63)	.047 (1.19)	.144 (3.66)
	450-3398 -01	.080 (2.03)	.312 (7.92)	.100 (2.54)	.333 (8.46)	.188 (4.78)	.142 (3.61)	-	.143 (3.63)	.047 (1.19)	.144 (3.66)

SINGLE POLE SOCKETS - SOLDER MOUNT - MOULDED GUIDED ENTRY

Dimensions in inches (mm)



How to order code
450 - 1826 - 01 - 03 - 20
 Basic Part No. | Insulator Colour | Socket Finish

Material Code Table		
Component	Material	
Jack:	Body	Brass
	Spring	Beryllium Copper (Heat Treated)
Insulator		Nylon

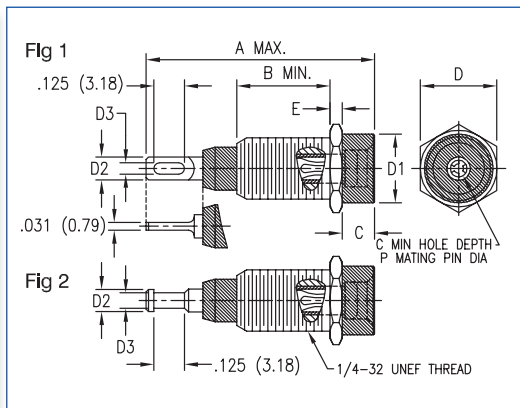
Finish Code Table			
Dash No.	Body Finish	Spring Finish	RoHS
-03	Gold over Nickel	Gold over Nickel	✓

Insulation Colour Code Table	
Dash No.	Colour
-20	Natural

Basic Part No.	P	A	B	D	D1	D2	C	Mtg. Hole Diameter
450-1826 -01	.061 (1.55)	.125 (3.18)	.162 (4.11)	.200 (5.08)	.093 (2.36)	.098 (2.49)	.250 (6.35)	.102 (2.59)

SINGLE POLE SOCKETS - INSULATED - THREAD MOUNT

Dimensions in inches (mm)



How to order code
450 - XXXX - 01 - 03 - XX
 Basic Part No. | Insulator Colour | Terminal Finish

Material Code Table		
Component	Material	RoHS
Insulator (450-3358 & 450-3381)	Nylon	✓
Insulator (450-3359 & 450-3382)	PTFE	✓
Metal Sleeve	Brass	✓
Socket Body	Brass	✓
Socket Spring	Beryllium Copper (Heat Treated)	✓
Mounting Hex Nut	Brass	✓
Internal Tooth Lockwasher	Phosphor Bronze	✓

Finish Code Table							
Dash No.	Socket Body Finish	Socket Spring Finish	Metal Sleeve Finish	Mtg. Hex Nut Finish	Lockwasher Finish	RoHS	
-03	Gold over Nickel	Gold over Nickel	Nickel	Nickel	Nickel	✓	

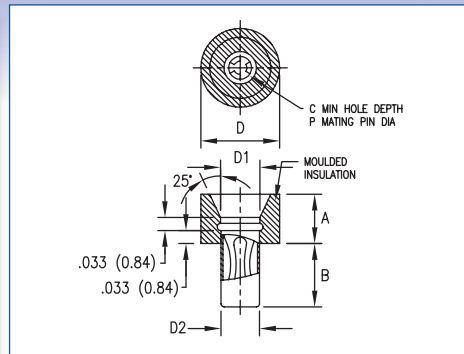
Insulation Colour Code Table	
Dash No.	Colour
-10	Black
-12	Red*
-16	Blue
-19	White

Fig.	Basic Part No.	A	B	C	D	D1	D2	D3	E	C	P	Dielectric Withstand Voltage (rms)	Insulator
1	450-3358 -01	1.000 (25.4)	.375 (9.53)	.131 (3.33)	.312 (7.92)	.281 (7.14)	.093 (2.36)	.047 (1.19)	.050 (1.27)	.540 (13.72)	.080 (2.03)	3000	Nylon
	450-3359 -01	1.000 (25.4)	.375 (9.53)	.131 (3.33)	.312 (7.92)	.281 (7.14)	.093 (2.36)	.047 (1.19)	.050 (1.27)	.540 (13.72)	.080 (2.03)	3000	PTFE
2	450-3381 -01	1.000 (25.4)	.375 (9.53)	.131 (3.33)	.312 (7.92)	.281 (7.14)	.090 (2.29)	.062 (1.57)	.050 (1.27)	.540 (13.72)	.080 (2.03)	3000	Nylon
	450-3382 -01	1.000 (25.4)	.375 (9.53)	.131 (3.33)	.312 (7.92)	.281 (7.14)	.090 (2.29)	.062 (1.57)	.050 (1.27)	.540 (13.72)	.080 (2.03)	3000	PTFE

Mounting Hardware supplied un-assembled. *Red PTFE is NOT RoHS compliant

SINGLE POLE SOCKETS - SOLDER MOUNT - MOULDED GUIDED ENTRY

Dimensions in inches (mm)



How to order code
450 - 1826 - 01 - 03 - 20
 Basic Part No. | Insulator Colour | Socket Finish

Material Code Table		
Component	Material	
Jack:	Body	Brass
	Spring	Beryllium Copper (Heat Treated)
Insulator		Nylon

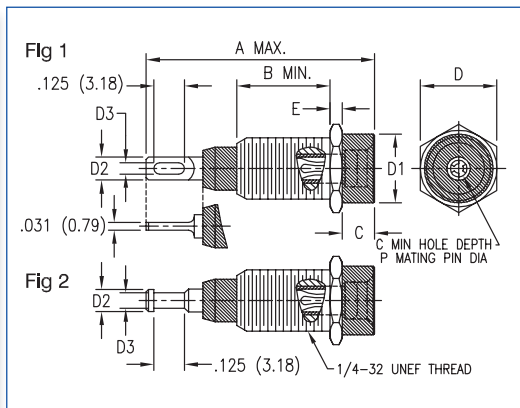
Finish Code Table			
Dash No.	Body Finish	Spring Finish	RoHS
-03	Gold over Nickel	Gold over Nickel	✓

Insulation Colour Code Table	
Dash No.	Colour
-20	Natural

Basic Part No.	P	A	B	D	D1	D2	C	Mtg. Hole Diameter
450-1826 -01	.061 (1.55)	.125 (3.18)	.162 (4.11)	.200 (5.08)	.093 (2.36)	.098 (2.49)	.250 (6.35)	.102 (2.59)

SINGLE POLE SOCKETS - INSULATED - THREAD MOUNT

Dimensions in inches (mm)



How to order code
450 - XXXX - 01 - 03 - XX
 Basic Part No. | Insulator Colour | Terminal Finish

Material Code Table		
Component	Material	RoHS
Insulator (450-3358 & 450-3381)	Nylon	✓
Insulator (450-3359 & 450-3382)	PTFE	✓
Metal Sleeve	Brass	✓
Socket Body	Brass	✓
Socket Spring	Beryllium Copper (Heat Treated)	✓
Mounting Hex Nut	Brass	✓
Internal Tooth Lockwasher	Phosphor Bronze	✓

Finish Code Table							
Dash No.	Socket Body Finish	Socket Spring Finish	Metal Sleeve Finish	Mtg. Hex Nut Finish	Lockwasher Finish	RoHS	
-03	Gold over Nickel	Gold over Nickel	Nickel	Nickel	Nickel	✓	

Insulation Colour Code Table	
Dash No.	Colour
-10	Black
-12	Red*
-16	Blue
-19	White

Fig.	Basic Part No.	A	B	C	D	D1	D2	D3	E	C	P	Dielectric Withstand Voltage (rms)	Insulator
1	450-3358 -01	1.000 (25.4)	.375 (9.53)	.131 (3.33)	.312 (7.92)	.281 (7.14)	.093 (2.36)	.047 (1.19)	.050 (1.27)	.540 (13.72)	.080 (2.03)	3000	Nylon
	450-3359 -01	1.000 (25.4)	.375 (9.53)	.131 (3.33)	.312 (7.92)	.281 (7.14)	.093 (2.36)	.047 (1.19)	.050 (1.27)	.540 (13.72)	.080 (2.03)	3000	PTFE
2	450-3381 -01	1.000 (25.4)	.375 (9.53)	.131 (3.33)	.312 (7.92)	.281 (7.14)	.090 (2.29)	.062 (1.57)	.050 (1.27)	.540 (13.72)	.080 (2.03)	3000	Nylon
	450-3382 -01	1.000 (25.4)	.375 (9.53)	.131 (3.33)	.312 (7.92)	.281 (7.14)	.090 (2.29)	.062 (1.57)	.050 (1.27)	.540 (13.72)	.080 (2.03)	3000	PTFE

Mounting Hardware supplied un-assembled. *Red PTFE is NOT RoHS compliant