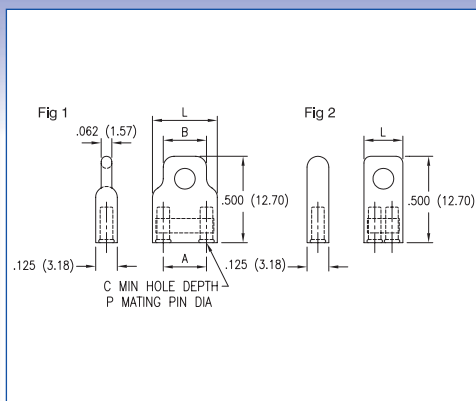


SHORTING LINKS - SOCKET

Dimensions in inches (mm)



How to order code

450 - XXXX - 01 - 06 - XX

Basic Part No.

Insulator Colour
Socket Finish

Material Code Table		
Component	Material	RoHS
Insulation	Polypropylene	✓
Socket:	Body	Copper
	Spring	Beryllium Copper (Heat Treated)
Strap	Bronze	✓

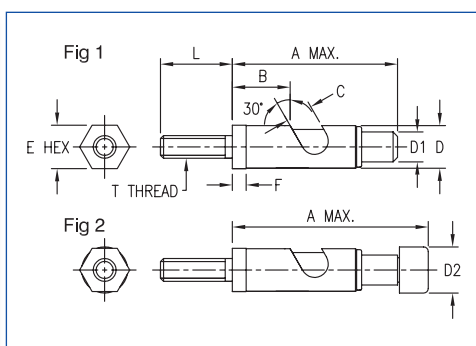
Finish Code Table				
Dash No.	Socket Body Finish	Spring Finish	Strap Finish	RoHS
-06	Electro-Tin	Gold Plated	Electro-Tin	✓

Insulation Colour Code Table	
Dash No.	Colour
-10	Black
-12	Red
-16	Blue

Fig.	Basic Part No.	P	A	B	C	L
1	450-3775 -01	.040 (1.02)	.200 (5.08)	.250 (6.35)	.190 (4.83)	.375 (9.53)
	450-3776 -01	.040 (1.02)	.400 (10.16)	.432 (10.97)	.190 (4.83)	.620 (15.75)
2	450-4774 -01	.031 (0.79)	.100 (2.54)	-	.190 (4.83)	.240 (6.10)
	450-4775 -01	.040 (1.02)	.100 (2.54)	-	.190 (4.83)	.240 (6.10)

COMPONENT CLIPS

Dimensions in inches (mm)



How to order code

410 - XXXX - 01 - 02 - XX

Basic Part No.

Cap Colour (where applicable)
Finish

Material Code Table		
Component	Material	RoHS
Pin	Brass	✓
Plunger		
Spring	Cres. Steel	✓
Cap	Nylon	✓

Finish Code Table				
Dash No.	Housing Finish	Plunger Finish	Spring Finish	RoHS
-02	Nickel	Nickel	Passivated	✓

Colour Code Table	
Dash No.	Colour
-00	None
-19	White

Fig.	Basic Part No.	A	B	C	D	D1	D2	E	F	L	T
1	410-2146 -01	.371 (9.42)	.140 (3.56)	.040 (1.02)	.125 (3.18)	.070 (1.78)	-	.156 (3.96)	.060 (1.52)	.218 (5.54)	2 - 56
	410-2329 -01	.524 (13.31)	.220 (5.59)	.055 (1.40)	.156 (3.96)	.094 (2.39)	-	.156 (3.96)	.060 (1.52)	.218 (5.54)	2 - 56
	410-2339 -01	.752 (19.10)	.282 (7.16)	.085 (2.16)	.187 (4.75)	.130 (3.30)	-	.188 (4.78)	.060 (1.52)	.312 (7.92)	3 - 48
2	410-2844 -01	.496 (12.60)	.140 (3.56)	.040 (1.02)	-	-	.170 (4.32)	.156 (3.96)	.060 (1.52)	.218 (5.54)	2 - 56
	410-2832 -01	.863 (21.92)	.282 (7.16)	.085 (2.16)	-	-	.215 (5.46)	.188 (4.78)	.060 (1.52)	.312 (7.92)	3 - 48