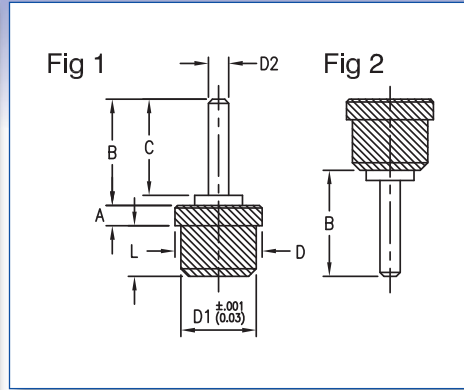


SOLDER TERMINALS - PTFE INSULATED, PRESS MOUNT

Dimensions in inches (mm)
See page 91 for Mounting Instructions



How to order code
571-4XXX-XX-XX-19

Basic Part No. | Insulator Colour | Terminal Finish

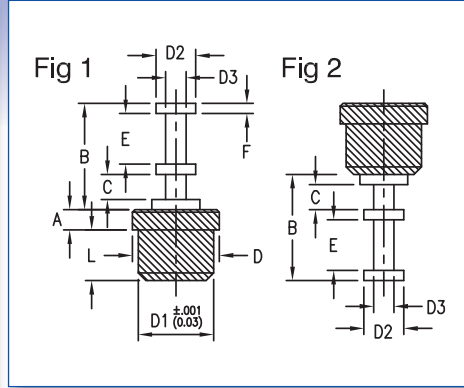
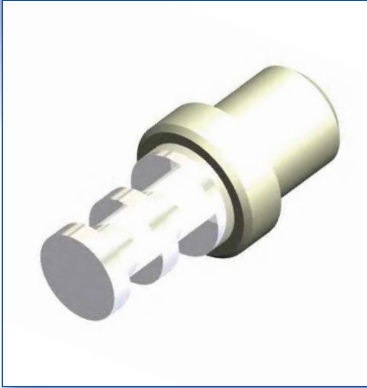
Material Code Table			Finish Code Table			Insulation Colour Code Table	
Component	Material	RoHS	Dash No.	Terminal Finish	RoHS	Dash No.	Colour
Insulator	PTFE	✓	-01	Silver	✓	-19	White
Terminal	Brass	✓	-05	Electro-Solder	X		

Fig.	Basic Part No.	L	Board Thickness	A	B	C	D	D1	D2	Mtg. Hole Diameter	Capacitance (pF)	Flashover VRMS at Sea Level
1	571-4029 -01	.100 (2.54)	.031 (0.79) to .062 (1.57)	.040 (1.02)	.210 (5.33)	.190 (4.83)	.172 (4.37)	.149 (3.78)	.040 (1.02)	.136 (3.45)	0.5	3000
	-02	.125 (3.18)	.031 (0.79) to .085 (2.16)								0.5	3000
	-03	.165 (4.19)	.031 (0.79) to .125 (3.18)								0.5	3000
	-04	.250 (6.35)	.031 (0.79) to .210 (5.33)								0.5	3000
	571-4030 -01	.100 (2.54)	.031 (0.79) to .062 (1.57)	.094 (2.39)	.210 (5.33)	.190 (4.83)	.172 (4.37)	.149 (3.78)	.040 (1.02)	.136 (3.45)	0.5	4200
	-02	.125 (3.18)	.031 (0.79) to .085 (2.16)								0.5	5500
	-03	.165 (4.19)	.031 (0.79) to .125 (3.18)								0.5	5500
	-04	.250 (6.35)	.031 (0.79) to .210 (5.33)								0.5	5500
	571-4037 -01	.060 (1.52)	.016 (.041) only	.040 (1.02)	.210 (5.33)	.190 (4.83)	.172 (4.37)	.149 (3.78)	.040 (1.02)	.136 (3.45)	0.5	3000
	571-4043 -01	.100 (2.54)	.031 (0.79) to .062 (1.57)	.040 (1.02)	.450 (11.43)	.430 (10.92)	.172 (4.37)	.149 (3.78)	.040 (1.02)	.136 (3.45)	0.6	2500
	-02	.125 (3.18)	.031 (0.79) to .085 (2.16)								0.6	2500
	571-4133 -01	.100 (2.54)	.031 (0.79) to .062 (1.57)	.040 (1.02)	.320 (8.13)	.300 (7.62)	.250 (6.35)	.216 (5.49)	.040 (1.02)	.203 (5.16)	0.5	3000
	571-4134 -01	.100 (2.54)	.031 (0.79) to .062 (1.57)	.040 (1.02)	.450 (11.43)	.430 (10.92)	.250 (6.35)	.216 (5.49)	.040 (1.02)	.203 (5.16)	0.5	3500
	571-4135 -01	.100 (2.54)	.031 (0.79) to .062 (1.57)	.040 (1.02)	.610 (15.49)	.590 (14.99)	.250 (6.35)	.216 (5.49)	.040 (1.02)	.203 (5.16)	0.5	3000
2	571-4031 -01	.100 (2.54)	.031 (0.79) to .062 (1.57)	.040 (1.02)	.210 (5.33)	.190 (4.83)	.172 (4.37)	.149 (3.78)	.040 (1.02)	.136 (3.45)	0.5	3500
	-02	.125 (3.18)	.031 (0.79) to .085 (2.16)								0.5	4000
	-03	.165 (4.19)	.031 (0.79) to .125 (3.18)								0.5	4000
	-04	.250 (6.35)	.031 (0.79) to .210 (5.33)								0.5	6000
	571-4046 -01	.100 (2.54)	.031 (0.79) to .062 (1.57)	.040 (1.02)	.450 (11.43)	.430 (10.92)	.172 (4.37)	.149 (3.78)	.040 (1.02)	.136 (3.45)	0.5	3000
	-02	.125 (3.18)	.031 (0.79) to .085 (2.16)								0.5	3500
	571-4072 -01	.100 (2.54)	.031 (0.79) to .062 (1.57)	.040 (1.02)	.450 (11.43)	.430 (10.92)	.188 (4.78)	.172 (4.37)	.040 (1.02)	.158 (4.01)	0.5	3500
	571-4073 -01	.100 (2.54)	.031 (0.79) to .062 (1.57)	.040 (1.02)	.610 (15.49)	.590 (14.99)	.188 (4.78)	.172 (4.37)	.040 (1.02)	.158 (4.01)	0.5	3000
	571-4109 01	.100 (2.54)	.031 (0.79) to .062 (1.57)	.040 (1.02)	.210 (5.33)	.190 (4.83)	.188 (4.78)	.172 (4.37)	.040 (1.02)	.158 (4.01)	0.5	3000
	571-4136 -01	.100 (2.54)	.031 (0.79) to .062 (1.57)	.040 (1.02)	.320 (8.13)	.300 (7.62)	.250 (6.35)	.216 (5.49)	.040 (1.02)	.203 (5.16)	0.5	3500
	571-4137 -01	.100 (2.54)	.031 (0.79) to .062 (1.57)	.040 (1.02)	.450 (11.43)	.430 (10.92)	.250 (6.35)	.216 (5.49)	.040 (1.02)	.203 (5.16)	0.5	3000
	571-4138 -01	.100 (2.54)	.031 (0.79) to .062 (1.57)	.040 (1.02)	.610 (15.49)	.590 (14.99)	.250 (6.35)	.216 (5.49)	.040 (1.02)	.203 (5.16)	0.5	3500

Other colours available, consult factory.

SOLDER TERMINALS - PTFE INSULATED, PRESS MOUNT

Dimensions in inches (mm)
See page 91 for Mounting Instructions



How to order code

571 - 4XXX - XX - XX - 19

Basic Part No. | Insulator Colour | Terminal Finish

Material Code Table		
Component	Material	RoHS
Insulator	PTFE	✓
Terminal	Brass	✓

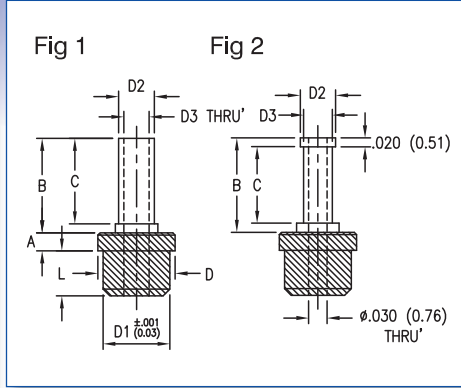
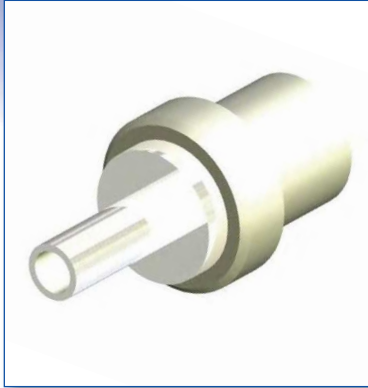
Finish Code Table		
Dash No.	Terminal Finish	RoHS
-01	Silver	✓
-05	Electro-Solder	X

Insulation Colour Code Table	
Dash No.	Colour
-19	White

Fig.	Basic Part No.	L	Board Thickness	A	B	C	E	F	D	D1	D2	D3	Mtg. Hole Diameter	Capacitance (pF)	Flashover VRMS at Sea Level	
1	571-4015 -01	.100 (2.54)	.031 (0.79) to .062 (1.57)	.040 (1.02)	.140 (3.56)	.040 (1.02)	.040 (1.02)	.020 (0.51)	.125 (3.18)	.094 (2.39)	.080 (2.03)	.050 (1.27)	.083 (2.11)	0.5	3000	
	571-4016 -01	.100 (2.54)	.031 (0.79) to .062 (1.57)	.040 (1.02)	.210 (5.33)	.050 (1.27)	.100 (2.54)	.020 (0.51)	.125 (3.18)	.094 (2.39)	.080 (2.03)	.040 (1.02)	.083 (2.11)	0.6	3000	
	571-4025	-01	.100 (2.54)	.031 (0.79) to .062 (1.57)	.040 (1.02)	.210 (5.33)	.050 (1.27)	.100 (2.54)	.020 (0.51)	.172 (4.37)	.149 (3.78)	.080 (2.03)	.040 (1.02)	.136 (3.45)	0.5	3000
		-02	.125 (3.18)	.031 (0.79) to .085 (2.16)											0.5	3000
		-03	.165 (4.19)	.031 (0.79) to .125 (3.18)											0.5	3000
		-04	.250 (6.35)	.031 (0.79) to .210 (5.33)											0.5	3000
	571-4026	-01	.100 (2.54)	.031 (0.79) to .062 (1.57)	.040 (1.02)	.250 (6.35)	.096 (2.44)	.094 (2.39)	.020 (0.51)	.172 (4.37)	.149 (3.78)	.080 (2.03)	.040 (1.02)	.136 (3.45)	0.5	3000
		-02	.125 (3.18)	.031 (0.79) to .085 (2.16)											0.5	3000
		-03	.165 (4.19)	.031 (0.79) to .125 (3.18)											0.5	3000
		-04	.250 (6.35)	.031 (0.79) to .210 (5.33)											0.6	3000
	571-4027	-01	.100 (2.54)	.031 (0.79) to .062 (1.57)	.094 (2.39)	.210 (5.33)	.050 (1.27)	.100 (2.54)	.020 (0.51)	.172 (4.37)	.149 (3.78)	.080 (2.03)	.040 (1.02)	.136 (3.45)	0.5	4200
		-02	.125 (3.18)	.031 (0.79) to .085 (2.16)											0.5	4200
		-03	.165 (4.19)	.031 (0.79) to .125 (3.18)											0.5	4200
		-04	.250 (6.35)	.031 (0.79) to .210 (5.33)											0.5	4200
	571-4028	-01	.100 (2.54)	.031 (0.79) to .062 (1.57)	.094 (2.39)	.250 (6.35)	.096 (2.44)	.094 (2.39)	.020 (0.51)	.172 (4.37)	.149 (3.78)	.080 (2.03)	.040 (1.02)	.136 (3.45)	0.5	4200
		-02	.125 (3.18)	.031 (0.79) to .085 (2.16)											0.5	4200
		-03	.165 (4.19)	.031 (0.79) to .125 (3.18)											0.5	4200
		-04	.250 (6.35)	.031 (0.79) to .210 (5.33)											0.6	4200
	571-4038	-01	.060 (1.52)	.016 (.041) only	.040 (1.02)	.210 (5.33)	.050 (1.27)	.100 (2.54)	.020 (0.51)	.172 (4.37)	.149 (3.78)	.080 (2.03)	.047 (1.19)	.136 (3.45)	0.5	3000
	571-4051	-01	.110 (2.79)	.031 (0.79) to .071 (1.80)	.043 (1.09)	.210 (5.33)	.050 (1.27)	.100 (2.54)	.020 (0.51)	.172 (4.37)	.149 (3.78)	.080 (2.03)	.040 (1.02)	.136 (3.45)	0.6	3000
571-4140	-01	.150 (3.81)	.031 (0.79) to .110 (2.79)	.125 (3.18)	.146 (3.71)	.038 (0.97)	.048 (1.22)	.020 (0.51)	.188 (4.78)	.165 (4.19)	.094 (2.39)	.045 (1.14)	.152 (3.86)	0.5	5000	
571-4078	-01	.150 (3.81)	.031 (0.79) to .110 (2.79)	.125 (3.18)	.281 (7.14)	.094 (2.39)	.094 (2.39)	.031 (0.79)	.188 (4.78)	.172 (4.37)	.125 (3.18)	.047 (1.19)	.158 (4.01)	0.6	7000	
571-4099	-01	.150 (3.81)	.031 (0.79) to .110 (2.79)	.125 (3.18)	.250 (6.35)	.096 (2.44)	.094 (2.39)	.020 (0.51)	.188 (4.78)	.172 (4.37)	.094 (2.39)	.040 (1.02)	.158 (4.01)	0.6	7000	
571-4100	-01	.150 (3.81)	.031 (0.79) to .110 (2.79)	.188 (4.78)	.250 (6.35)	.096 (2.44)	.094 (2.39)	.020 (0.51)	.188 (4.78)	.172 (4.37)	.094 (2.39)	.040 (1.02)	.158 (4.01)	0.6	9000	
571-4101	-01	.150 (3.81)	.031 (0.79) to .110 (2.79)	.250 (6.35)	.250 (6.35)	.096 (2.44)	.094 (2.39)	.020 (0.51)	.188 (4.78)	.172 (4.37)	.094 (2.39)	.040 (1.02)	.158 (4.01)	0.6	10000	
571-4102	-01	.150 (3.81)	.031 (0.79) to .110 (2.79)	400 (10.16)	.250 (6.35)	.096 (2.44)	.094 (2.39)	.020 (0.51)	.188 (4.78)	.172 (4.37)	.094 (2.39)	.040 (1.02)	.158 (4.01)	0.6	10000	
571-4116	-01	.188 (4.78)	.031 (0.79) to .148 (3.76)	500 (12.70)	.281 (7.14)	.094 (2.39)	.094 (2.39)	.031 (0.79)	.250 (6.35)	.216 (5.49)	.125 (3.18)	.047 (1.19)	.203 (5.16)	0.4	12000	
571-4125	-01	.188 (4.78)	.031 (0.79) to .148 (3.76)	800 (20.32)	.250 (6.35)	.096 (2.44)	.094 (2.39)	.020 (0.51)	.250 (6.35)	.216 (5.49)	.094 (2.39)	.040 (1.02)	.203 (5.16)	0.2	13000	
571-4127	-01	.100 (2.54)	.031 (0.79) to .062 (1.57)	.040 (1.02)	.210 (5.33)	.050 (1.27)	.100 (2.54)	.020 (0.51)	.250 (6.35)	.216 (5.49)	.080 (2.03)	.040 (1.02)	.203 (5.16)	0.4	3000	
2	571-4033	-01	.100 (2.54)	.031 (0.79) to .062 (1.57)	.040 (1.02)	.210 (5.33)	.050 (1.27)	.100 (2.54)	.020 (0.51)	.172 (4.37)	.149 (3.78)	.080 (2.03)	.040 (1.02)	.136 (3.45)	0.5	3000
		-02	.125 (3.18)	.031 (0.79) to .085 (2.16)											0.5	3500
		-03	.165 (4.19)	.031 (0.79) to .125 (3.18)											0.5	4000
		-04	.250 (6.35)	.031 (0.79) to .210 (5.33)											0.5	6000
	571-4034	-01	.100 (2.54)	.031 (0.79) to .062 (1.57)	.040 (1.02)	.250 (6.35)	.096 (2.44)	.094 (2.39)	.020 (0.51)	.172 (4.37)	.149 (3.78)	.080 (2.03)	.040 (1.02)	.136 (3.45)	0.5	3000
		-02	.125 (3.18)	.031 (0.79) to .085 (2.16)											0.5	3500
		-03	.165 (4.19)	.031 (0.79) to .125 (3.18)											0.5	4000
		-04	.250 (6.35)	.031 (0.79) to .210 (5.33)											0.5	6000
	571-4105	-01	.150 (3.81)	.031 (0.79) to .110 (2.79)	.125 (3.18)	.250 (6.35)	.096 (2.44)	.094 (2.39)	.020 (0.51)	.188 (4.78)	.172 (4.37)	.094 (2.39)	.040 (1.02)	.158 (4.01)	0.6	4000
	571-4111	-01	.100 (2.54)	.031 (0.79) to .062 (1.57)	.040 (1.02)	.250 (6.35)	.096 (2.44)	.094 (2.39)	.020 (0.51)	.188 (4.78)	.172 (4.37)	.080 (2.03)	.040 (1.02)	.158 (4.01)	0.6	3000

Other colours available, consult factory.

SOLDER TERMINALS - PTFE INSULATED, PRESS MOUNT



Dimensions in inches (mm)
See page 91 for Mounting Instructions

How to order code
571 - 4XXX - XX - XX - 19

Basic Part No. | Insulator Colour | Terminal Finish

Material Code Table		
Component	Material	RoHS
Insulator	PTFE	✓
Terminal	Brass	✓

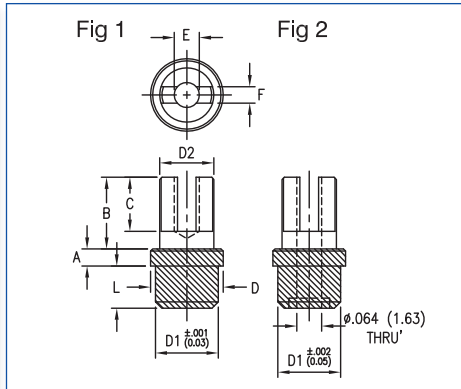
Finish Code Table		
Dash No.	Terminal Finish	RoHS
-01	Silver	✓
-05	Electro-Solder	X

Insulation Colour Code Table	
Dash No.	Colour
-19	White

Fig.	Basic Part No.	L	Board Thickness	A	B	C	D	D1	D2	D3	Mtg. Hole Diameter	Capacitance (pF)	Flashover VRMS at Sea Level
1	571-4152 -01	.060 (1.52)	.016 (.041) only	.040 (1.02)	.125 (3.18)	.105 (2.67)	.125 (3.18)	.094 (2.39)	.040 (1.02)	.030 (0.76)	.083 (2.11)	0.5	1500
	-02	.100 (2.54)	.031 (0.79) to .062 (1.57)									0.6	2500
	571-4193 -01	.110 (2.79)	.031 (0.79) to .071 (1.80)	.050 (1.27)	.207 (5.26)	.187 (4.75)	.172 (4.37)	.149 (3.78)	.085 (2.16)	.064 (1.63)	.136 (3.45)	0.7	3000
	571-4240 -01	.110 (2.79)	.031 (0.79) to .071 (1.80)	.050 (1.27)	.207 (5.26)	.187 (4.75)	.218 (5.54)	.172 (4.37)	.040 (1.02)	.030 (0.76)	.158 (4.01)	0.5	3500
2	571-4153 -01	.060 (1.52)	.016 (.041) only	.040 (1.02)	.207 (5.26)	.167 (4.24)	.125 (3.18)	.094 (2.39)	.080 (2.03)	.040 (1.02)	.083 (2.11)	0.5	2000
	-02	.100 (2.54)	.031 (0.79) to .062 (1.57)									0.6	1500

Other colours available, consult factory.

SOLDER TERMINALS - PTFE INSULATED, PRESS MOUNT



Dimensions in inches (mm)
See page 91 for Mounting Instructions

How to order code
571 - 4XXX - 01 - XX - 19

Basic Part No. | Insulator Colour | Terminal Finish

Material Code Table		
Component	Material	RoHS
Insulator	PTFE	✓
Terminal	Brass	✓

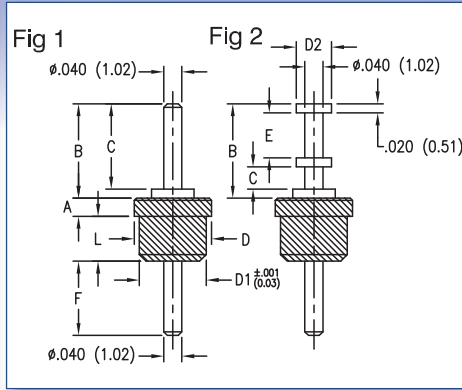
Finish Code Table		
Dash No.	Terminal Finish	RoHS
-01	Silver	✓
-05	Electro-Solder	X

Insulation Colour Code Table	
Dash No.	Colour
-19	White

Fig.	Basic Part No.	L	Board Thickness	A	B	C	D	D1	D2	E	F	Mtg. Hole Diameter	Capacitance (pF)	Flashover VRMS at Sea Level
1	571-4093 -01	.150 (3.81)	.031 (0.79) to .110 (2.79)	.400 (10.16)	.203 (5.16)	.161 (4.09)	.188 (4.78)	.172 (4.37)	.148 (3.76)	.046 (1.17)	.030 (0.76)	.158 (4.01)	0.6	10000
	571-4121 -01	.188 (4.78)	.031 (0.79) to .148 (3.76)	.800 (20.32)	.203 (5.16)	.161 (4.09)	.250 (6.35)	.216 (5.49)	.148 (3.76)	.046 (1.17)	.030 (0.76)	.203 (5.16)	0.3	13000
	571-4123 -01	.188 (4.78)	.031 (0.79) to .148 (3.76)	.800 (20.32)	.203 (5.16)	.156 (3.96)	.250 (6.35)	.216 (5.49)	.148 (3.76)	.078 (1.98)	.046 (1.17)	.203 (5.16)	0.3	13000
2	571-4132 -01	.220 (5.59)	.062 (1.57) to .125 (3.18)	.062 (1.57)	.218 (5.54)	.156 (3.96)	.250 (6.35)	.216 (5.49)	.156 (3.96)	-	.040 (1.02)	.203 (5.16)	0.5	2800

Other colours available, consult factory.

SOLDER TERMINALS - PTFE INSULATED, PRESS MOUNT, FEEDTHROUGH



Dimensions in inches (mm)
See page 91 for Mounting Instructions

How to order code

571-4XXX-XX-XX-19

Basic Part No. | Insulator Colour | Terminal Finish

Material Code Table		
Component	Material	RoHS
Insulator	PTFE	✓
Terminal	Brass	✓

Finish Code Table		
Dash No.	Terminal Finish	RoHS
-01	Silver	✓
-04	Electro-Tin	✓
-05	Electro-Solder	X

Insulation Colour Code Table	
Dash No.	Colour
-19	White

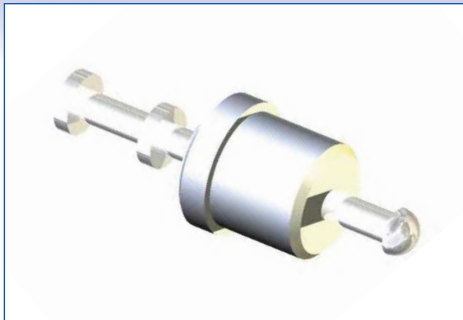
Fig.	Basic Part No.	L	Board Thickness	A	B	C	D	D1	D2	E	F	Mtg. Hole Diameter	Capacitance (pF)	Flashover (VRMS) at Sea Level
1	571-4282 -01	.100 (2.54)	.031 (0.79) to .062 (1.57)	.040 (1.02)	.210 (5.33)	.190 (4.83)	.125 (3.18)	.094 (2.39)	-	-	.165 (4.19)	.083 (2.11)	0.7	1500
	571-4283 -01	.100 (2.54)	.031 (0.79) to .062 (1.57)	.040 (1.02)	.125 (3.18)	.105 (2.67)	.125 (3.18)	.094 (2.39)	-	-	.078 (1.98)	.083 (2.11)	0.5	1500
	571-4161 -01	.060 (1.52)	.016 (0.40) only	.040 (1.02)	.210 (5.33)	.190 (4.83)	.150 (3.81)	.126 (3.20)	-	-	.165 (4.19)	.113 (2.87)	0.7	3000
	571-4161 -02	.100 (2.54)	.031 (0.79) to .062 (1.57)	.040 (1.02)	.210 (5.33)	.190 (4.83)	.150 (3.81)	.126 (3.20)	-	-	.165 (4.19)	.113 (2.87)	0.8	3000
	571-4176 -01	.100 (2.54)	.031 (0.79) to .062 (1.57)	.040 (1.02)	.210 (5.33)	.190 (4.83)	.172 (4.37)	.149 (3.78)	-	-	.165 (4.19)	.136 (3.45)	0.4	3000
	571-4176 -02	.125 (3.18)	.031 (0.79) to .085 (2.16)										0.4	3000
	571-4176 -03	.165 (4.19)	.031 (0.79) to .125 (3.18)										0.4	3000
	571-4176 -04	.250 (6.35)	.031 (0.79) to .210 (5.33)										0.4	3000
	571-4177 -01	.100 (2.54)	.031 (0.79) to .062 (1.59)	.093 (2.36)	.210 (5.33)	.190 (4.83)	.172 (4.37)	.149 (3.78)	-	-	.166 (4.22)	.136 (3.45)	0.5	4000
	571-4177 -02	.125 (3.18)	.031 (0.79) to .085 (2.16)										0.4	4000
	571-4177 -03	.165 (4.19)	.031 (0.79) to .125 (3.18)										0.4	4000
	571-4188 -01	.100 (2.54)	.031 (0.79) to .062 (1.57)	.040 (1.02)	.125 (3.18)	.105 (2.67)	.172 (4.37)	.149 (3.78)	-	-	.110 (2.79)	.136 (3.45)	0.7	2500
571-4281 -01	.150 (3.81)	.031 (0.79) to .110 (2.79)	.125 (3.18)	.200 (5.08)	.180 (4.57)	.188 (4.78)	.165 (4.19)	-	-	.200 (5.08)	.152 (3.86)	0.7	4500	
2	571-4155 -01	.100 (2.54)	.031 (0.79) to .062 (1.57)	.040 (1.02)	.210 (5.33)	.050 (1.27)	.125 (3.18)	.094 (2.39)	.080 (2.03)	.100 (2.54)	.150 (3.81)	.083 (2.11)	0.7	1500
	571-4185 -01	.100 (2.54)	.031 (0.79) to .062 (1.57)	.040 (1.02)	.210 (5.33)	.050 (1.27)	.172 (4.37)	.149 (3.78)	.080 (2.03)	.100 (2.54)	.150 (3.81)	.136 (3.45)	0.7	2500
	571-4197 -01	.230 (5.84)	.031 (0.79) to .190 (4.83)	.125 (3.18)	.250 (6.35)	.096 (2.44)	.172 (4.37)	.149 (3.78)	.093 (2.36)	.094 (2.39)	.231 (5.87)	.136 (3.45)	0.8	4000

Colours available for volume requirements



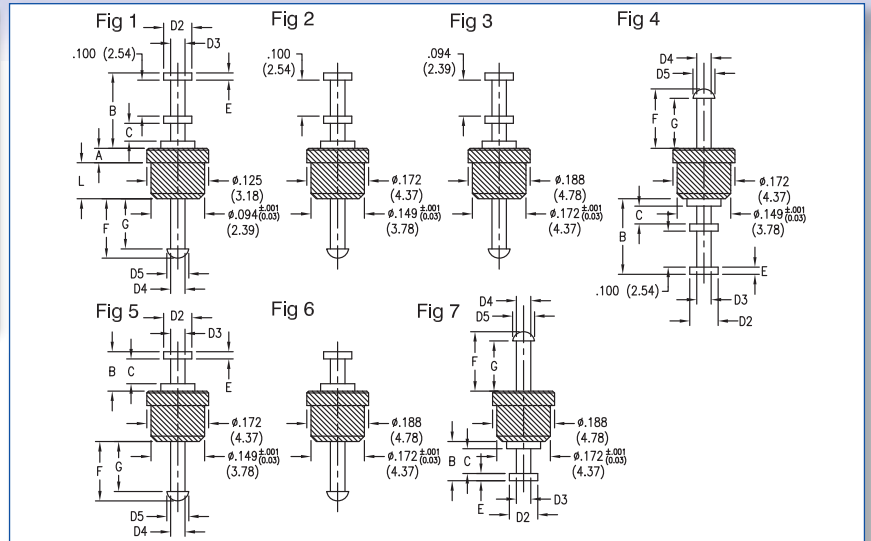
SOLDER TERMINALS - PTFE INSULATED, PRESS MOUNT, FEEDTHROUGH

Dimensions in inches (mm)
See page 91 for Mounting Instructions



How to order code
571 - 4XXX - XX - XX - 19

Basic Part No. Insulator Colour
Terminal Finish



Material Code Table		
Component	Material	RoHS
Insulator	PTFE	✓
Terminal	Brass	✓

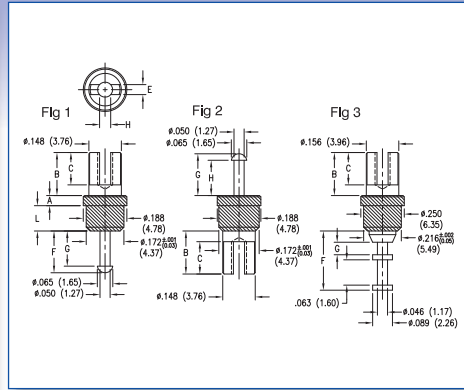
Finish Code Table		
Dash No.	Terminal Finish	RoHS
-01	Silver	✓
-04	Electro-Tin	✓
-05	Electro-Solder	X

Insulation Colour Code Table	
Dash No.	Colour
-19	White

Fig.	Basic Part No.	L	Board Thickness	A	B	C	D2	D3	D4	D5	E	F	G	Mtg. Hole Diameter	Capacitance (pF)	Flashover VRMS at Sea Level
1	571-4154 -01	.060 (1.52)	.016 (0.40) only	.040 (1.02)	.210 (5.33)	.050 (1.27)	.080 (2.03)	.040 (1.02)	.035 (0.89)	.050 (1.27)	.020 (0.51)	.150 (3.81)	.125 (3.18)	.083 (2.11)	0.5	1500
	-02	.100 (2.54)	.031 (0.79) to .062 (1.57)												0.7	1500
2	571-4182 -01	.100 (2.54)	.031 (0.79) to .062 (1.57)	.040 (1.02)	.210 (5.33)	.050 (1.27)	.080 (2.03)	.040 (1.02)	.040 (1.02)	.060 (1.52)	.020 (0.51)	.150 (3.81)	.120 (3.05)	.136 (3.45)	0.4	3000
	-02	.125 (3.18)	.031 (0.79) to .085 (2.16)									.125 (3.18)	.095 (2.41)		0.4	3000
	-03	.165 (4.19)	.031 (0.79) to .125 (3.18)									.085 (2.16)	.055 (1.40)		0.4	3000
3	571-4250 -01	.200 (5.08)	.031 (0.79) to .162 (4.11)	.125 (3.18)	.281 (7.14)	.094 (2.39)	.125 (3.18)	.062 (1.57)	.050 (1.27)	.080 (2.03)	.031 (0.79)	.222 (5.64)	.182 (4.62)	.158 (4.01)	1.0	5500
	571-4241 -01	.212 (5.38)	.031 (0.79) to .172 (4.37)	.188 (4.78)	.250 (6.35)	.096 (2.44)	.094 (2.39)	.050 (1.27)	.050 (1.27)	.065 (1.65)	.020 (0.51)	.186 (4.72)	.154 (3.91)	.158 (4.01)	0.4	6000
4	571-4186 -01	.100 (2.54)	.031 (0.79) to .062 (1.57)	.040 (1.02)	.210 (5.33)	.050 (1.27)	.080 (2.03)	.040 (1.02)	.040 (1.02)	.060 (1.52)	.020 (0.51)	.150 (3.81)	.120 (3.05)	.136 (3.45)	0.4	3000
	-02	.125 (3.18)	.031 (0.79) to .085 (2.16)									.125 (3.18)	.095 (2.41)		0.4	3000
	-03	.165 (4.19)	.031 (0.79) to .125 (3.18)									.194 (4.93)	.164 (4.17)		0.4	3000
5	571-4179 -01	.100 (2.54)	.031 (0.79) to .062 (1.57)	.040 (1.02)	.125 (3.18)	.095 (2.41)	.080 (2.03)	.040 (1.02)	.040 (1.02)	.060 (1.52)	.020 (0.51)	.085 (2.16)	.055 (1.40)	.136 (3.45)	0.4	3000
6	571-4232 -01	.275 (6.99)	.031 (0.79) to .234 (5.94)	.250 (6.35)	.125 (3.18)	.063 (1.60)	.125 (3.18)	.050 (1.27)	.050 (1.27)	.065 (1.65)	.031 (0.79)	.215 (5.46)	.183 (4.65)	.158 (4.01)	0.45	7000
	571-4233 -01	.400 (10.16)	.031 (0.79) to .250 (6.35)	.375 (9.53)	.125 (3.18)	.063 (1.60)	.125 (3.18)	.050 (1.27)	.050 (1.27)	.065 (1.65)	.031 (0.79)	.215 (5.46)	.183 (4.65)	.158 (4.01)	0.45	9000
7	571-4234 -01	.212 (5.38)	.031 (0.79) to .172 (4.37)	.188 (4.78)	.125 (3.18)	.063 (1.60)	.125 (3.18)	.050 (1.27)	.050 (1.27)	.065 (1.65)	.031 (0.79)	.215 (5.46)	.183 (4.65)	.158 (4.01)	0.4	6000
	571-4235 -01	.275 (6.99)	.031 (0.79) to .234 (5.94)	.250 (6.35)	.125 (3.18)	.063 (1.60)	.125 (3.18)	.050 (1.27)	.050 (1.27)	.065 (1.65)	.031 (0.79)	.215 (5.46)	.183 (4.65)	.158 (4.01)	0.5	7000

Other colours available, consult factory.

SOLDER TERMINALS - PTFE INSULATED, PRESS MOUNT, FEEDTHROUGH



Dimensions in inches (mm)
See page 91 for Mounting Instructions

How to order code

571 - 42XX - 01 - XX - 19

Basic Part No. | Insulator Colour | Terminal Finish

Material Code Table		
Component	Material	RoHS
Insulator	PTFE	✓
Terminal	Brass	✓

Finish Code Table		
Dash No.	Terminal Finish	RoHS
-01	Silver	✓
-04	Electro-Tin	✓
-05	Electro-Solder	X

Insulation Colour Code Table	
Dash No.	Colour
-19	White

Fig.	Basic Part No.	L	Board Thickness	A	B	C	E	F	G	H	Mtg. Hole Diameter	Capacitance (pF)	Flashover VRMS at Sea Level
1	571-4251 -01	.212 (5.38)	.031 (0.79) to .172 (4.37)	.188 (4.78)	.203 (5.16)	.161 (4.09)	.030 (0.76)	.218 (5.54)	.186 (4.72)	.036 (0.91)	.158 (4.01)	0.4	6000
	571-4253 -01	.400 (10.16)	.031 (0.79) to .250 (6.35)	.375 (9.53)	.203 (5.16)	.161 (4.09)	.030 (0.76)	.219 (5.56)	.187 (4.75)	.036 (0.91)	.158 (4.01)	0.5	9000
2	571-4254 -01	.212 (5.38)	.031 (0.79) to .172 (4.37)	.188 (4.78)	.203 (5.16)	.161 (4.09)	.030 (0.76)	.218 (5.54)	.186 (4.72)	.036 (0.91)	.158 (4.01)	0.4	6000
	571-4256 -01	.400 (10.16)	.031 (0.79) to .250 (6.35)	.375 (9.53)	.203 (5.16)	.161 (4.09)	.030 (0.76)	.219 (5.56)	.187 (4.75)	.036 (0.91)	.158 (4.01)	0.5	9000
	571-4262 -01	.400 (10.16)	.031 (0.79) to .250 (6.35)	.375 (9.53)	.203 (5.16)	.156 (3.96)	.046 (1.17)	.219 (5.56)	.187 (4.75)	.064 (1.63)	.158 (4.01)	0.5	9000
3	571-4267 -01	.215 (5.46)	.062 (1.57) to .125 (3.18)	.062 (1.57)	.218 (5.54)	.156 (3.96)	.040 (1.02)	.236 (5.99)	.093 (2.36)	.050 (1.27)	.203 (5.16)	0.6	4100

Other colours available, consult factory.

RF Connectors

Cambion compliments its vast range of high performance connectors and inductive products, with RF Connectors. Specialising in the manufacture of custom variants of industry standards Cambion offers an unique development facility of precision turning and the prototyping of application specials. Styles include N type, 7/16, SMA, SMB, MCX and many more incorporating blind mates and quick termination, with minimal outlay.

Custom converters and adaptors are available theoretically between any standard range of RF Connectors.

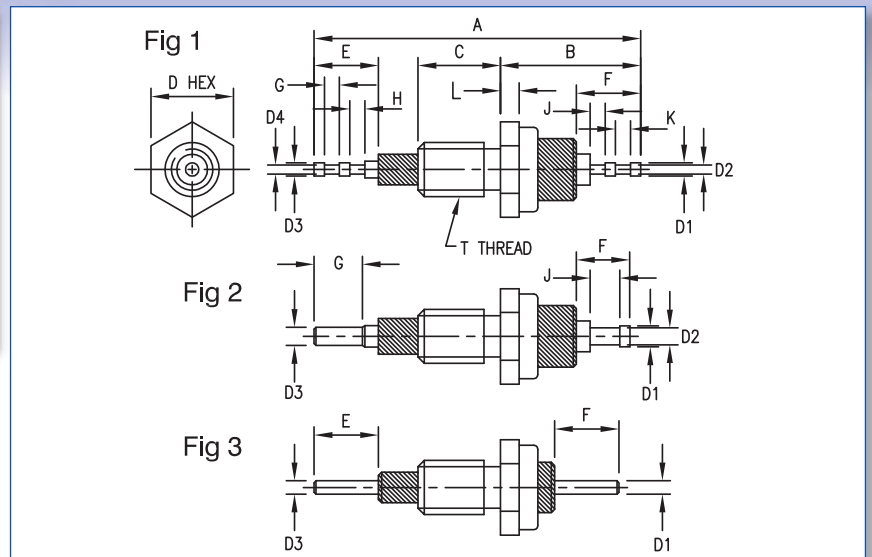


SOLDER TERMINALS - PTFE FEEDTHROUGH INSULATED, THREAD MOUNT

Dimensions in inches (mm)



How to order code
570 - XXXX - XX - XX - 19
 Basic Part No. Insulator Colour
 Terminal Finish



Component	Material	RoHS
Mounting Hex Nut	Brass	✓
Internal Tooth Lockwasher	Phosphor Bronze	✓
Insulator	PTFE	✓
Mounting Stud	Brass	✓
Terminal	Brass	✓

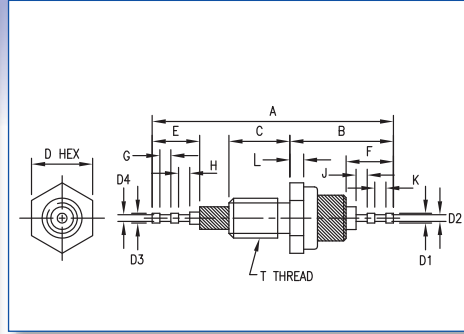
Dash No.	Terminal Finish	Mtg. Stud Finish	Mtg. Hex Nut Finish	Lock Washer Finish	RoHS
-01	Silver	Nickel	Nickel	Nickel	✓
-05	Electro-Solder	Nickel	Nickel	Nickel	X

Dash No.	Colour
-19	White

Fig.	Basic Part No.	A	B Max.	C	D	D1	D2	D3	D4	E	F
1	570-2642 -01	.878 (22.30)	.368 (9.35)	.250 (6.35)	.188 (4.78)	.040 (1.02)	.027 (0.69)	.040 (1.02)	.027 (0.69)	.197 (5.00)	.195 (4.95)
	570-2641 -01	.990 (25.15)	.425 (10.80)	.250 (6.35)	.250 (6.35)	.040 (1.02)	.027 (0.69)	.040 (1.02)	.027 (0.69)	.195 (4.95)	.195 (4.95)
	570-2640 -01	.990 (25.15)	.425 (10.80)	.250 (6.35)	.312 (7.92)	.062 (1.57)	.046 (1.17)	.062 (1.57)	.046 (1.17)	.229 (5.82)	.195 (4.95)
2	570-1502 -01	.690 (17.53)	.296 (7.52)	.225 (5.72)	.250 (6.35)	.082 (2.08)	.062 (1.57)	.062 (1.57)	-	.121 (3.07)	.163 (4.14)
	570-2643 -01	.590 (14.99)	.262 (6.65)	.200 (5.08)	.156 (3.96)	.029 (0.74)	-	.029 (0.74)	-	.095 (2.41)	.085 (2.16)
	-02	.640 (16.26)		.250 (6.35)							

Fig.	Basic Part No.	G	H	J	K	L	T	IR (VRMS)
1	570-2642 -01	.046 (1.17)	.046 (1.17)	.046 (1.17)	.046 (1.17)	.046 (1.17)	6-32	600
	570-2641 -01	.046 (1.17)	.047 (1.19)	.046 (1.17)	.046 (1.17)	.050 (1.27)	8-32	1500
	570-2640 -01	.046 (1.17)	.046 (1.17)	.046 (1.17)	.046 (1.17)	.050 (1.27)	10-32	1800
2	570-1502 -01	.100 (2.54)	-	.101 (2.57)	-	.040 (1.02)	12-28	2000
3	570-2643 -01	-	-	-	-	.065 (1.65)	4-40	600
	-02							

SOLDER TERMINALS - CERAMIC INSULATED, FEEDTHROUGH, THREAD MOUNT



Dimensions in inches (mm)

How to order code

570 - XXXX - 01 - XX - 00

Basic Part No. Terminal Finish

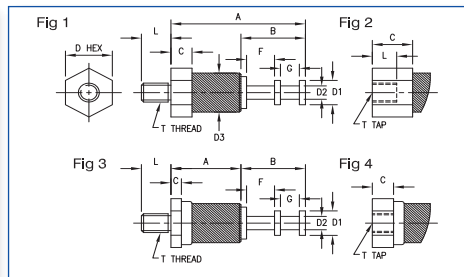
Material Code Table		
Component	Material	RoHS
Mounting Hex Nut	Brass	✓
Internal Tooth Lockwasher	Phosphor Bronze	✓
Insulator	Ceramic	✓
Mounting Stud	Brass	✓
Terminal	Brass	✓

Finish Code Table					
Dash No.	Terminal Finish	Mtg. Stud Finish	Mtg. Hex Nut Finish	Lock Washer Finish	RoHS
-01	Silver	Nickel	Nickel	Nickel	✓
-05	Electro-Solder	Nickel	Nickel	Nickel	X

Basic Part No.	A	B Max.	C	D	D1	D2	D3	D4	E	F
570-2012-01	1.307 (33.20)	.559 (14.20)	.375 (9.53)	.500 (12.70)	.080 (2.03)	.050 (1.27)	.080 (2.03)	.050 (1.27)	.285 (7.24)	.282 (7.16)
570-1990-01	.923 (23.44)	.383 (9.73)	.250 (6.35)	.375 (9.53)	.062 (1.57)	.043 (1.09)	.062 (1.57)	.043 (1.09)	.198 (5.03)	.184 (4.67)

Basic Part No.	G	H	J	K	L	T	IR (VRMS)
570-2012-01	.093 (2.36)	.105 (2.67)	.093 (2.36)	.093 (2.36)	.062 (1.57)	3/8-32	3000
570-1990-01	.046 (1.17)	.065 (1.65)	.054 (1.37)	.046 (1.17)	.050 (1.27)	1/4-28	2500

SOLDER TERMINALS - PTFE INSULATED, STAND OFF, THREAD MOUNT



Dimensions in inches (mm)

How to order code

570 - XXXX - XX - XX - 19

Basic Part No. Insulator Colour Terminal Finish

Material Code Table		
Component	Material	RoHS
Insulator	PTFE	✓
Mounting Stud	Brass	✓
Terminal	Brass	✓

Finish Code Table			
Dash No.	Terminal Finish	Mtg. Stud Finish	RoHS
-01	Silver	Cadmium	X
-05	Electro-Solder	Cadmium	X
-21	Silver	Nickel	✓

Insulation Colour Code Table	
Dash No.	Colour
-19	White

Fig.	Basic Part No.	L	A	B	C	D	D1	D2	D3	F	G	T	IR (VRMS)
1	570-1503-01	.250 (6.35)	.500 (12.70)	.147 (3.73)	.128 (3.25)	.156 (3.96)	.066 (1.68)	.045 (1.14)	.125 (3.18)	.062 (1.57)	.031 (0.79)	4-40	3500
	570-1504-01	.250 (6.35)	.640 (16.26)	.304 (7.72)	.180 (4.57)	.250 (6.35)	.140 (3.56)	.069 (1.75)	.245 (6.22)	.129 (3.28)	.100 (2.54)	6-32	3300
2	570-1510-01	.100 (2.54)	.546 (13.87)	.147 (3.73)	.181 (4.60)	.156 (3.96)	.066 (1.68)	.045 (1.14)	.125 (3.18)	.062 (1.57)	.031 (0.79)	4-40	3500
	570-1511-01	.156 (3.96)	.718 (18.24)	.304 (7.72)	.258 (6.55)	.250 (6.35)	.140 (3.56)	.069 (1.75)	.245 (6.22)	.129 (3.28)	.100 (2.54)	6-32	3300
3	570-1945-01	.250 (6.35)	.334 (8.48)	.228 (5.79)	.062 (1.57)	.312 (7.92)	.093 (2.36)	.046 (1.17)	.250 (6.35)	.093 (2.36)	.063 (1.60)	6-32	5000
	-02	.375 (9.53)											
4	570-1947-01	.125 (3.18)	.401 (10.19)	.228 (5.79)	.125 (3.18)	.312 (7.92)	.093 (2.36)	.046 (1.17)	.250 (6.35)	.093 (2.36)	.063 (1.60)	4-40	5000
	-02											6-32	