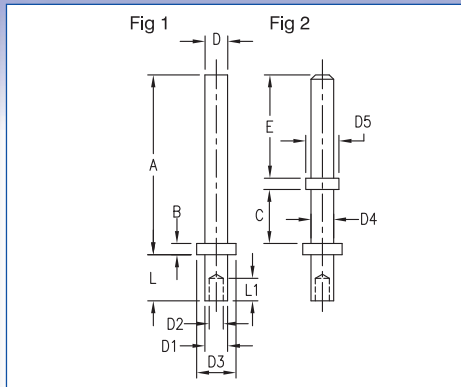


SOLDER TERMINALS - TURRET



Dimensions in inches (mm)
See page 92/93 for recommended
Anvil and Punch

How to order code
1XX - XXXX - XX - XX - 00

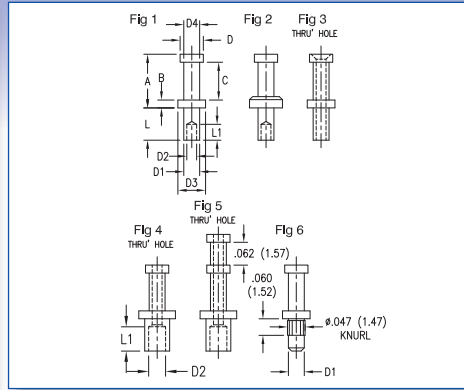
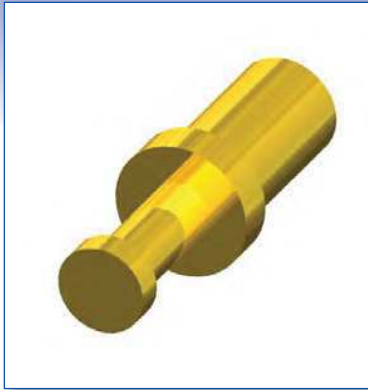
Basic Part No. | Finish

Material Code Table		
Component	Material	RoHS
Terminal	Brass	✓

Finish Code Table		
Dash No.	Finish	RoHS
-01	Silver	✓
-03	Gold over Nickel	✓
-04	Electro-Tin	✓
-05	Electro-Solder	X

Fig.	Basic Part No.	L	Board Thickness	A	B	C	D	D1	D2	D3	D4	D5	E	L1	Mtg. Hole Diameter	
1	120-5212 -02	.075 (1.90)	.040 (1.02)	.224 (5.70)	.015 (0.38)	-	.020 (0.51)	.020 (0.51)	-	.039 (1.00)	-	-	-	-	.023 (0.58)	
	120-1132	-01	.063 (1.60)	.031 (0.79)	.250 (6.35)	.031 (0.79)	-	.050 (1.27)	.060 (1.52)	.040 (1.02)	.094 (2.39)	-	-	-	.063 (1.60)	.064 (1.63)
		-02	.094 (2.39)	.062 (1.57)											.071 (1.80)	
		-03	.125 (3.18)	.094 (2.39)												
		-04	.156 (3.96)	.125 (3.18)												
	120-1133	-01	.063 (1.60)	.031 (0.79)	.313 (7.95)	.031 (0.79)	-	.050 (1.27)	.060 (1.52)	.040 (1.02)	.094 (2.39)	-	-	-	.063 (1.60)	.064 (1.63)
		-02	.094 (2.39)	.062 (1.57)											.071 (1.80)	
		-03	.125 (3.18)	.094 (2.39)												
		-04	.156 (3.96)	.125 (3.18)												
	120-1134	-01	.063 (1.60)	.031 (0.79)	.375 (9.53)	.031 (0.79)	-	.050 (1.27)	.060 (1.52)	.040 (1.02)	.094 (2.39)	-	-	-	.063 (1.60)	.064 (1.63)
		-02	.094 (2.39)	.062 (1.57)											.071 (1.80)	
		-03	.125 (3.18)	.094 (2.39)												
-04		.156 (3.96)	.125 (3.18)													
-05		.219 (5.56)	.188 (4.78)													
-06		.281 (7.14)	.250 (6.35)													
180-2750	-01	.062 (1.57)	.031 (0.79)	.156 (3.96)	.020 (0.51)	-	.060 (1.52)	.060 (1.52)	.042 (1.07)	.125 (3.18)	-	-	-	.040 (1.02)	.064 (1.63)	
	-02	.094 (2.39)	.062 (1.57)													
	-03	.125 (3.18)	.094 (2.39)													
	-04	.156 (3.96)	.125 (3.18)													
120-1372	-02	.084 (2.13)	.062 (1.57)	.250 (6.35)	.020 (0.51)	-	.030 (0.76)	.062 (1.57)	.043 (1.09)	.094 (2.39)	-	-	-	.045 (1.14)	.067 (1.70)	
120-1366	-02	.094 (2.39)	.062 (1.57)	.250 (6.35)	.021 (0.53)	-	.040 (1.02)	.090 (2.29)	.063 (1.60)	.125 (3.18)	-	-	-	.068 (1.73)	.093 (2.37)	
	-03	.125 (3.18)	.094 (2.39)													
2	120-1011	-01	.078 (1.98)	.031 (0.79)	.290 (7.37)	.032 (0.81)	.125 (3.18)	.053 (1.35)	.090 (2.29)	.064 (1.63)	.125 (3.18)	.063 (1.60)	.093 (2.36)	.113 (2.87)	.063 (1.60)	.093 (2.37)
		-02	.109 (2.77)	.062 (1.57)												
		-03	.141 (3.58)	.094 (2.39)												
		-04	.172 (4.37)	.125 (3.18)												
	120-1012	-01	.078 (1.98)	.031 (0.79)	.427 (10.85)	.032 (0.81)	.125 (3.18)	.053 (1.35)	.090 (2.29)	.064 (1.63)	.125 (3.18)	.063 (1.60)	.093 (2.36)	.250 (6.35)	.083 (2.11)	.093 (2.37)
		-02	.109 (2.77)	.062 (1.57)												
		-03	.141 (3.58)	.094 (2.39)												
		-04	.172 (4.37)	.125 (3.18)												
	120-1013	-01	.078 (1.98)	.031 (0.79)	.343 (8.71)	.032 (0.81)	.136 (3.45)	.053 (1.35)	.090 (2.29)	.064 (1.63)	.156 (3.96)	.063 (1.60)	.109 (2.77)	.153 (3.89)	.063 (1.60)	.093 (2.37)
		-02	.109 (2.77)	.062 (1.57)												
		-03	.141 (3.58)	.094 (2.39)												
		-04	.172 (4.37)	.125 (3.18)												
120-1014	-01	.078 (1.98)	.031 (0.79)	.471 (11.96)	.032 (0.81)	.136 (3.45)	.053 (1.35)	.090 (2.29)	.064 (1.63)	.156 (3.96)	.063 (1.60)	.109 (2.77)	.281 (7.14)	.064 (1.63)	.093 (2.37)	
	-02	.109 (2.77)	.062 (1.57)													
	-03	.141 (3.58)	.094 (2.39)													
	-04	.172 (4.37)	.125 (3.18)													

SOLDER TERMINALS - TURRET



Dimensions in inches (mm)
See page 92/93 for recommended
Anvil and Punch

How to order code

160 - XXXX - XX - XX - 00

Basic Part No.

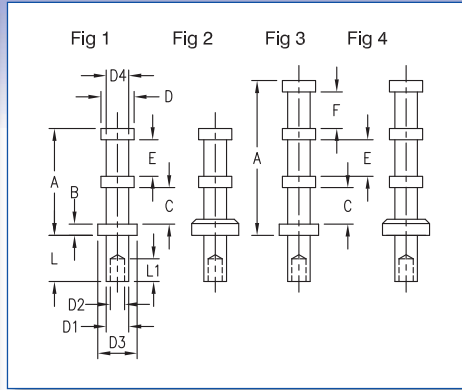
Finish

Material Code Table		
Component	Material	RoHS
Terminal	Brass	✓

Finish Code Table		
Dash No.	Finish	RoHS
-01	Silver	✓
-03	Gold over Nickel	✓
-04	Electro-Tin	✓
-05	Electro-Solder	X

Fig.	Basic Part No.	L	Board Thickness	A	B	C	D	D1	D2	D3	D4	L1	Mtg. Hole Diameter
1	160-2085 -11	.035 (0.89)	.016 (0.40)	.094 (2.39)	.018 (0.46)	.063 (1.60)	.040 (1.02)	.047 (1.19)	.028 (0.71)	.062 (1.57)	.027 (0.69)	.032 (0.81)	.052 (1.32)
	-01	.051 (1.30)	.031 (0.79)										
	-02	.082 (2.08)	.062 (1.57)										
	-03	.113 (2.87)	.094 (2.39)										
	-04	.145 (3.68)	.125 (3.18)										
	160-1604 -11	.025 (0.64)	.016 (0.40)	.093 (2.36)	.025 (0.64)	.045 (1.14)	.062 (1.57)	.062 (1.57)	.046 (1.17)	.094 (2.39)	.045 (1.14)	.020 (0.51)	.067 (1.70)
	-01	.045 (1.14)	.031 (0.79)									.040 (1.02)	
	-02	.094 (2.39)	.062 (1.57)									.089 (2.26)	
2	160-1457 -01	.078 (1.98)	.031 (0.79)	.187 (4.75)	.047 (1.19)	.115 (2.92)	.075 (1.91)	.078 (1.98)	.055 (1.40)	.125 (3.18)	.040 (1.02)	.068 (1.73)	.082 (2.08)
	-02	.109 (2.77)	.062 (1.57)									.098 (2.49)	
	-03	.141 (3.58)	.094 (2.39)										
	-04	.172 (4.37)	.125 (3.18)										
	160-1245 -01	.078 (1.98)	.031 (0.79)	.234 (5.94)	.047 (1.19)	.156 (3.96)	.145 (3.68)	.112 (2.84)	.076 (1.93)	.188 (4.78)	.065 (1.65)	.068 (1.73)	.116 (2.95)
	-02	.109 (2.77)	.062 (1.57)									.098 (2.49)	
	-03	.141 (3.58)	.094 (2.39)										
	-04	.172 (4.37)	.125 (3.18)										
3	160-1512 -02	.084 (2.13)	.062 (1.57)	.156 (3.96)	.040 (1.02)	.091 (2.31)	.093 (2.36)	.062 (1.57)	.043 (1.09)	.125 (3.18)	.062 (1.57)	-	.067 (1.70)
	-03	.115 (2.92)	.094 (2.39)										
	-04	.147 (3.73)	.125 (3.18)										
	160-2027 -01	.063 (1.60)	.031 (0.79)	.187 (4.75)	.035 (0.89)	.125 (3.18)	.096 (2.44)	.071 (1.80)	.043 (1.09)	.125 (3.18)	.071 (1.80)	-	.076 (1.93)
	-02	.094 (2.39)	.062 (1.57)										
	-03	.125 (3.18)	.094 (2.39)										
	-04	.156 (3.96)	.125 (3.18)										
	160-1797 -01	.078 (1.98)	.031 (0.79)	.188 (4.78)	.047 (1.19)	.109 (2.77)	.138 (3.51)	.110 (2.79)	.067 (1.70)	.188 (4.78)	.110 (2.79)	-	.113 (2.87)
	-02	.109 (2.77)	.062 (1.57)										
	-03	.141 (3.58)	.094 (2.39)										
	-04	.172 (4.37)	.125 (3.18)										
	4	160-2100 -11	.025 (0.64)	.016 (0.40)	.093 (2.36)	.025 (0.64)	.045 (1.14)	.062 (1.57)	.062 (1.57)	.046 (1.17)	.094 (2.39)	.045 (1.14)	.020 (0.51)
-01		.045 (1.14)	.031 (0.79)									.040 (1.02)	
-02		.094 (2.39)	.062 (1.57)									.089 (2.26)	
-03		.125 (3.18)	.094 (2.39)										
5	160-1798 -02	.109 (2.77)	.062 (1.57)	.312 (7.92)	.031 (0.79)	.157 (3.99)	.110 (2.79)	.135 (3.43)	.107 (2.72)	.188 (4.78)	.088 (2.24)	.098 (2.49)	.141 (3.57)
	-03	.141 (3.58)	.094 (2.39)										
	-04	.172 (4.37)	.125 (3.18)										
6	160-3747 -01	.130 (3.30)	.062 (1.57)	.135 (3.43)	.035 (0.89)	.080 (2.03)	.053 (1.35)	.053 (1.36)	-	.063 (1.60)	.038 (0.97)	-	.055 (1.40)

SOLDER TERMINALS - TURRET



Dimensions in inches (mm)
See page 92/93 for recommended
Anvil and Punch

How to order code
160 - XXXX - XX - XX - 00

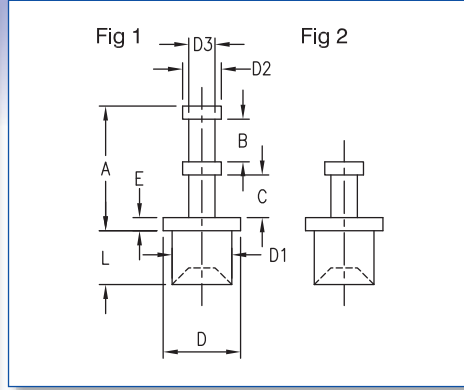
Basic Part No. | Finish

Material Code Table		
Component	Material	RoHS
Terminal	Brass	✓

Finish Code Table		
Dash No.	Finish	RoHS
-01	Silver	✓
-03	Gold over Nickel	✓
-04	Electro-Tin	✓
-05	Electro-Solder	X

Fig.	Basic Part No.	L	Board Thickness	A	B	C	D	D1	D2	D3	D4	E	F	L1	Mtg. Hole Diameter	
1	160-3653	-11	.037 (0.94)	.016 (0.40)	.156 (3.96)	.020 (0.51)	.065 (1.65)	.062 (1.57)	.062 (1.57)	.046 (1.17)	.094 (2.39)	.031 (0.79)	-	.025 (0.64)	.067 (1.70)	
		-01	.053 (1.35)	.031 (0.79)											.045 (1.14)	
		-02	.084 (2.13)	.062 (1.57)												
		-03	.115 (2.92)	.094 (2.39)												
		-04	.147 (3.73)	.125 (3.18)												
	160-1558	-01	.078 (1.98)	.031 (0.79)	.219 (5.56)	.023 (0.58)	.093 (2.36)	.093 (2.36)	.090 (2.29)	.064 (1.63)	.125 (3.18)	.046 (1.17)	.063 (1.60)	-	.047 (1.19)	.093 (2.37)
		-02	.109 (2.77)	.062 (1.57)											.062 (1.57)	
		-03	.141 (3.58)	.094 (2.39)												
		-04	.172 (4.37)	.125 (3.18)												
		-01	.063 (1.60)	.031 (0.79)	.219 (5.56)	.023 (0.58)	.093 (2.36)	.093 (2.36)	.090 (2.29)	.064 (1.63)	.125 (3.18)	.046 (1.17)	.063 (1.60)	-	.047 (1.19)	.093 (2.37)
	160-1597	-02	.094 (2.39)	.062 (1.57)											.062 (1.57)	
		-03	.125 (3.18)	.094 (2.39)												
		-04	.156 (3.96)	.125 (3.18)												
		-01	.075 (1.91)	.031 (0.79)	.237 (6.02)	.042 (1.07)	.092 (2.34)	.094 (2.39)	.090 (2.29)	.064 (1.63)	.125 (3.18)	.047 (1.19)	.063 (1.60)	-	.062 (1.57)	.093 (2.37)
		160-1026	-02	.105 (2.67)	.062 (1.57)											
	-03		.135 (3.43)	.094 (2.39)												
	-04		.165 (4.19)	.125 (3.18)												
	-01		.078 (1.98)	.031 (0.79)	.281 (7.14)	.032 (0.81)	.105 (2.67)	.109 (2.77)	.090 (2.29)	.064 (1.63)	.156 (3.96)	.053 (1.35)	.100 (2.54)	-	.063 (1.60)	.093 (2.37)
	160-2034		-02	.109 (2.77)	.062 (1.57)											.093 (2.36)
		-03	.141 (3.58)	.094 (2.39)												
		-04	.172 (4.37)	.125 (3.18)												
		-02	.109 (2.77)	.062 (1.57)	.500 (12.70)	.062 (1.57)	.211 (5.36)	.200 (5.08)	.262 (6.65)	.201 (5.11)	.312 (7.92)	.125 (3.18)	.156 (3.96)	-	.066 (1.68)	.266 (6.75)
		160-2110	-03	.140 (3.56)	.094 (2.39)											
	-04		.172 (4.37)	.125 (3.18)												
-01	.078 (1.98)		.031 (0.79)	.359 (9.12)	.047 (1.19)	.151 (3.84)	.142 (3.61)	.112 (2.84)	.076 (1.93)	.188 (4.78)	.065 (1.65)	.099 (2.51)	-	.068 (1.73)	.116 (2.95)	
160-1724	-02		.109 (2.77)	.062 (1.57)											.098 (2.49)	
	-03		.141 (3.58)	.094 (2.39)												
	-04	.172 (4.37)	.125 (3.18)													
	-01	.075 (1.91)	.031 (0.79)	.340 (8.64)	.047 (1.19)	.094 (2.39)	.094 (2.39)	.089 (2.26)	.064 (1.63)	.125 (3.18)	.050 (1.27)	.062 (1.57)	.062 (1.57)	.047 (1.19)	.089 (2.26)	
	160-1058	-02	.105 (2.67)	.062 (1.57)											.062 (1.57)	
-03		.135 (3.43)	.094 (2.39)													
-04		.165 (4.19)	.125 (3.18)													
-01		.063 (1.60)	.031 (0.79)	.301 (7.65)	.023 (0.58)	.092 (2.34)	.093 (2.36)	.090 (2.29)	.064 (1.63)	.125 (3.18)	.046 (1.17)	.063 (1.60)	.063 (1.60)	.047 (1.19)	.093 (2.37)	
160-2080		-02	.094 (2.39)	.062 (1.57)											.062 (1.57)	
	-03	.125 (3.18)	.094 (2.39)													
	-04	.156 (3.96)	.125 (3.18)													
	-01	.078 (1.98)	.031 (0.79)	.484 (12.29)	.047 (1.19)	.151 (3.84)	.145 (3.68)	.112 (2.84)	.076 (1.93)	.188 (4.78)	.065 (1.65)	.099 (2.51)	.094 (2.39)	.068 (1.73)	.116 (2.95)	
	160-2084	-02	.109 (2.77)	.062 (1.57)											.098 (2.49)	
-03		.141 (3.58)	.094 (2.39)													
-04		.172 (4.37)	.125 (3.18)													

SOLDER TERMINALS - TURRET



Dimensions in inches (mm)
See page 92/93 for recommended
Anvil and Punch

How to order code
160-XXXX-XX-XX-00

Basic Part No. | Finish

Material Code Table		
Component	Material	RoHS
Terminal	Brass	✓

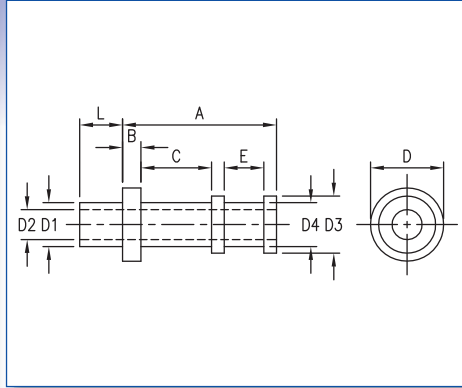
Finish Code Table		
Dash No.	Finish	RoHS
-01	Silver	✓
-03	Gold over Nickel	✓
-04	Electro-Tin	✓
-05	Electro-Solder	X

Fig.	Basic Part No.	L	Board Thickness	A	B	C	D	D1	D2	D3	E	Mtg. Hole Diameter
1	160-2043 -01	.051 (1.30)	.031 (0.79)	.186 (4.72)	.062 (1.57)	.062 (1.57)	.094 (2.39)	.073 (1.85)	.050 (1.27)	.038 (0.97)	.022 (0.56)	.076 (1.93)
	-02	.082 (2.08)	.062 (1.57)									
	-03	.113 (2.87)	.094 (2.39)									
	-04	.145 (3.68)	.125 (3.18)									
2	160-2041 -01	.051 (1.30)	.031 (0.79)	.104 (2.64)	-	.062 (1.57)	.094 (2.39)	.072 (1.83)	.050 (1.27)	.038 (0.97)	.022 (0.56)	.076 (1.93)
	-02	.082 (2.08)	.062 (1.57)									
	-03	.113 (2.87)	.094 (2.39)									
	-04	.145 (3.68)	.125 (3.18)									
	160-1040 -01	.062 (1.57)	.031 (0.79)	.159 (4.04)	-	.105 (2.67)	.156 (3.96)	.090 (2.29)	.109 (2.77)	.053 (1.35)	.032 (0.81)	.093 (2.37)
	-02	.094 (2.39)	.062 (1.57)									
	-03	.125 (3.18)	.094 (2.39)									
	-04	.156 (3.96)	.125 (3.18)									

SOLDER TERMINALS - TURRET, THROUGH HOLE

Dimensions in inches (mm)

See page 92 for recommended Anvil and Punch



How to order code

160 - 15XX - XX - XX - 00

Basic Part No.

Finish

Material Code Table		
Component	Material	RoHS
Terminal	Brass	✓

Finish Code Table		
Dash No.	Terminal Finish	RoHS
-01	Silver	✓
-04	Electro-Tin	✓
-05	Electro-Solder	X

Basic Part No.	L	Board Thickness	A	B	C	D	D1	D2	D3	D4	E	Mtg. Hole Diameter
160-1548 -01	.078 (1.98)	.031 (0.79)	.312 (7.92)	.031 (0.79)	.137 (3.48)	.188 (4.78)	.112 (2.84)	.078 (1.98)	.146 (3.71)	.113 (2.87)	.094 (2.39)	.116 (2.95)
-02	.109 (2.77)	.062 (1.57)										
-03	.141 (3.58)	.094 (2.39)										
-04	.172 (4.37)	.125 (3.18)										
160-1513 -02	.109 (2.77)	.062 (1.57)	.328 (8.33)	.046 (1.17)	.142 (3.61)	.188 (4.78)	.112 (2.84)	.078 (1.98)	.145 (3.68)	.112 (2.84)	.100 (2.54)	.116 (2.95)
-03	.141 (3.58)	.094 (2.39)										
-04	.172 (4.37)	.125 (3.18)										

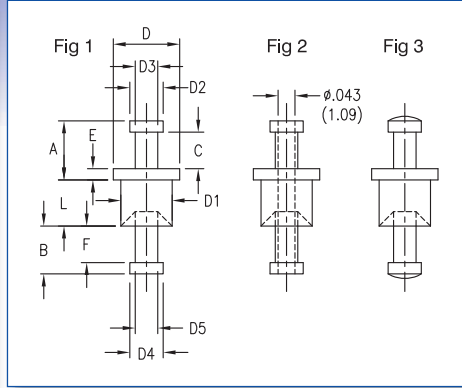
Typical application



160-2040 swaged into FR4 strip for solder terminations

SOLDER TERMINALS - TURRET, FEEDTHROUGH

Dimensions in inches (mm)
See page 92/93 for recommended
Anvil and Punch



How to order code
160-XXXX-XX-XX-00

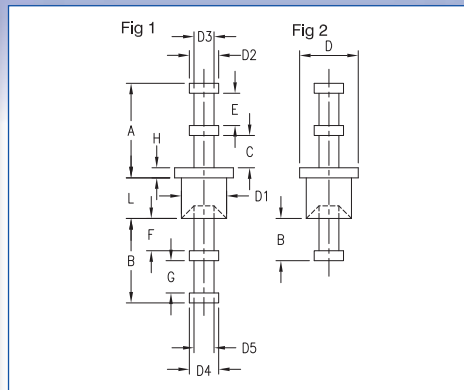
Basic Part No. | Finish

Material Code Table		
Component	Material	RoHS
Terminal	Brass	✓

Finish Code Table		
Dash No.	Finish	RoHS
-01	Silver	✓
-03	Gold over Nickel	✓
-04	Electro-Tin	✓
-05	Electro-Solder	X

Fig.	Basic Part No.	L	Board Thickness	A	B	C	D	D1	D2	D3	D4	D5	E	F	Mfg. Hole Diameter
1	160-2042 -01	.051 (1.29)	.031 (0.79)	.104 (2.64)	.082 (2.08)	.062 (1.57)	.094 (2.39)	.072 (1.83)	.050 (1.27)	.038 (0.97)	.050 (1.27)	.038 (0.97)	.022 (0.56)	.062 (1.57)	.076 (1.93)
	-02	.082 (2.08)	.062 (1.57)												
	-03	.113 (2.87)	.094 (2.39)												
	-04	.145 (3.68)	.125 (3.18)												
	-05	.207 (5.26)	.188 (4.78)												
	160-1041 -01	.062 (1.57)	.031 (0.79)	.159 (4.04)	.082 (2.08)	.105 (2.67)	.156 (3.96)	.090 (2.29)	.109 (2.77)	.053 (1.35)	.070 (1.78)	.048 (1.22)	.032 (0.81)	.062 (1.57)	.093 (2.37)
	-02	.094 (2.39)	.062 (1.57)												
	-03	.125 (3.18)	.094 (2.39)												
	-04	.156 (3.96)	.125 (3.18)												
	160-1464 -02	.105 (2.67)	.062 (1.57)	.156 (3.96)	.125 (3.18)	.092 (2.34)	.156 (3.96)	.116 (2.95)	.070 (1.78)	.040 (1.02)	.070 (1.78)	.040 (1.02)	.032 (0.81)	.093 (2.36)	.120 (3.05)
-03	.135 (3.43)	.094 (2.39)													
-04	.165 (4.19)	.125 (3.18)													
2	160-2141 -01	.063 (1.60)	.031 (0.79)	.187 (4.75)	.187 (4.75)	.125 (3.18)	.156 (3.96)	.116 (2.95)	.096 (2.44)	.071 (1.80)	.088 (2.24)	.071 (1.80)	.035 (0.89)	.160 (4.06)	.120 (3.05)
	-02	.094 (2.39)	.062 (1.57)												
	-03	.125 (3.18)	.094 (2.39)												
	-04	.156 (3.96)	.125 (3.18)												
3	160-1463 -01	.063 (1.60)	.031 (0.79)	.156 (3.96)	.125 (3.18)	.091 (2.31)	.156 (3.96)	.116 (2.95)	.070 (1.78)	.040 (1.02)	.070 (1.78)	.040 (1.02)	.035 (0.89)	.095 (2.41)	.120 (3.05)
	-02	.094 (2.39)	.062 (1.57)												
	-03	.125 (3.18)	.094 (2.39)												
	-04	.156 (3.96)	.125 (3.18)												

SOLDER TERMINALS - TURRET, FEEDTHROUGH



Dimensions in inches (mm)
See page 92/93 for recommended
Anvil and Punch

How to order code

160-XXXX-XX-XX-00

Basic Part No.

Finish

Component	Material	RoHS
Terminal	Brass	✓

Dash No.	Finish	RoHS
-01	Silver	✓
-03	Gold over Nickel	✓
-04	Electro-Tin	✓
-05	Electro-Solder	X

Fig.	Basic Part No.	L	Board Thickness	A	B	C	D	D1	D2	D3	D4	D5	E	F	G	H	Mtg. Hole Diameter	
1	160-2040 -01	.051 (1.29)	.031 (0.79)	.186 (4.72)	.164 (4.17)	.062 (1.57)	.094 (2.39)	.072 (1.83)	.050 (1.27)	.038 (0.97)	.050 (1.27)	.038 (0.97)	.062 (1.57)	.062 (1.57)	.062 (1.57)	.022 (0.56)	.076 (1.93)	
	-02	.082 (2.08)	.062 (1.59)															
	-03	.113 (2.87)	.094 (2.39)															
	-04	.145 (3.68)	.125 (3.18)															
	-05	.207 (5.26)	.188 (4.78)															
	160-2004 -01	.062 (1.57)	.031 (0.79)	.219 (5.56)	.188 (4.78)	.093 (2.36)	.125 (3.18)	.090 (2.29)	.063 (1.60)	.040 (1.02)	.063 (1.60)	.040 (1.02)	.040 (1.02)	.063 (1.60)	.083 (2.11)	.063 (1.60)	.021 (0.53)	.093 (2.37)
	-02	.093 (2.36)	.062 (1.59)															
	-03	.125 (3.18)	.094 (2.39)															
	-04	.156 (3.96)	.125 (3.18)															
	160-1043 -01	.062 (1.57)	.031 (0.79)	.281 (7.14)	.164 (4.17)	.105 (2.67)	.156 (3.96)	.090 (2.29)	.109 (2.77)	.053 (1.35)	.070 (1.78)	.048 (1.22)	.048 (1.22)	.100 (2.54)	.062 (1.57)	.062 (1.57)	.032 (0.81)	.093 (2.37)
	-02	.094 (2.39)	.062 (1.59)															
	-03	.125 (3.18)	.094 (2.39)															
	-04	.156 (3.96)	.125 (3.18)															
	160-1035 -01	.075 (1.91)	.031 (0.79)	.237 (6.02)	.134 (3.40)	.093 (2.36)	.156 (3.96)	.125 (3.18)	.093 (2.36)	.047 (1.19)	.062 (1.57)	.030 (0.76)	.030 (0.76)	.058 (1.47)	.062 (1.57)	.032 (0.81)	.046 (1.17)	.128 (3.26)
	-02	.105 (2.67)	.062 (1.59)															
	-03	.135 (3.43)	.094 (2.39)															
	-04	.165 (4.19)	.125 (3.18)															
	160-1081 -02	.093 (2.36)	.062 (1.59)	.342 (8.69)	.315 (8.00)	.156 (3.96)	.250 (6.35)	.201 (5.11)	.142 (3.61)	.065 (1.65)	.142 (3.61)	.065 (1.65)	.065 (1.65)	.093 (2.36)	.157 (3.99)	.096 (2.44)	.031 (0.79)	.204 (5.18)
	-03	.125 (3.18)	.094 (2.39)															
	-04	.156 (3.96)	.125 (3.18)															
160-1620 -02	.094 (2.39)	.062 (1.57)	.500 (12.70)	.436 (11.07)	.220 (5.59)	.312 (7.92)	.262 (6.65)	.200 (5.08)	.125 (3.18)	.200 (5.08)	.125 (3.18)	.125 (3.18)	.156 (3.96)	.218 (5.54)	.156 (3.96)	.062 (1.57)	.266 (6.75)	
-03	.125 (3.18)	.094 (2.39)																
-04	.156 (3.96)	.125 (3.18)																
2	160-2044 -01	.051 (1.29)	.031 (0.79)	.186 (4.72)	.082 (2.08)	.062 (1.57)	.094 (2.39)	.072 (1.83)	.050 (1.27)	.038 (0.97)	.050 (1.27)	.038 (0.97)	.062 (1.57)	-	-	.022 (0.56)	.076 (1.93)	
	-02	.082 (2.08)	.062 (1.59)															
	-03	.113 (2.87)	.094 (2.39)															
	-04	.145 (3.68)	.125 (3.18)															
	-05	.207 (5.26)	.188 (4.76)															
	160-2000 -01	.062 (1.57)	.031 (0.79)	.219 (5.56)	.104 (2.64)	.093 (2.36)	.125 (3.18)	.090 (2.29)	.063 (1.60)	.040 (1.02)	.063 (1.60)	.040 (1.02)	.040 (1.02)	.063 (1.60)	-	-	.021 (0.53)	.093 (2.37)
	-02	.094 (2.39)	.062 (1.57)															
	-03	.125 (3.18)	.094 (2.39)															
	-04	.156 (3.96)	.125 (3.18)															
	160-1042 -01	.062 (1.57)	.031 (0.79)	.281 (7.14)	.062 (1.57)	.105 (2.67)	.156 (3.96)	.090 (2.29)	.109 (2.77)	.053 (1.35)	.070 (1.78)	.048 (1.22)	.048 (1.22)	.100 (2.54)	-	-	.032 (0.81)	.093 (2.37)
	-02	.094 (2.39)	.062 (1.59)															
	-03	.125 (3.18)	.094 (2.39)															
	-04	.156 (3.96)	.125 (3.18)															
	160-1520 -02	.105 (2.67)	.062 (1.59)	.358 (9.09)	.109 (2.77)	.151 (3.84)	.188 (4.78)	.114 (2.90)	.145 (3.68)	.065 (1.65)	.082 (2.08)	.040 (1.02)	.040 (1.02)	.094 (2.39)	-	-	.047 (1.19)	.118 (3.00)
	-03	.135 (3.43)	.094 (2.39)															
	-04	.165 (4.19)	.125 (3.18)															
	160-1579 -01	.063 (1.60)	.031 (0.79)	.344 (8.74)	.110 (2.79)	.092 (2.34)	.250 (6.35)	.202 (5.13)	.141 (3.58)	.062 (1.57)	.141 (3.58)	.062 (1.57)	.062 (1.57)	.156 (3.96)	-	-	.032 (0.81)	.206 (5.22)
	-02	.094 (2.39)	.062 (1.59)															
	-03	.125 (3.18)	.094 (2.39)															
	-04	.156 (3.96)	.125 (3.18)															