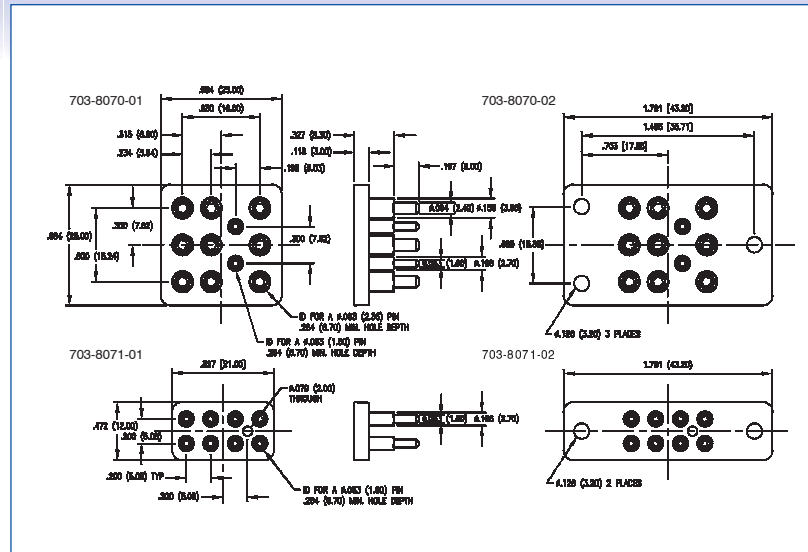


Dimensions in inches (mm)



How to order code

703 - 807X - XX - 03 - 10

Basic Part No. Colour
 Mounting Ear Option Finish

Material Code Table		
Component	Material	RoHS
Carrier	High Temp Plastic	✓
Socket Bodies	Brass	✓
Socket Clips	Beryllium Copper (Heat Treated)	✓

Finish Code Table			
Dash No.	Socket Body Finish	Socket Clip Finish	RoHS
-03	Gold over Nickel	Gold over Nickel	✓

Colour Code Table	
Dash No.	Colour
-10	Black



Other styles and configurations available, please consult factory.