

Industrial Conductive Plastic Precision Rotary Sensor

Features

- Robust Construction
- Precision Center Voltage
- Center Return Mechanism
- 2 Million Cycle Life
- Flexible Mechanical Installation
- Water Resistance (IP64)
- RoHS Compliant



Electrical and Mechanical Specifications

Overall Resistance

5 K ohms

Resistance Tolerance

± 10%, ± 20%

Power Rating

0.2 watts @ 40°C

Dielectric Strength

500 VDC for 1 minute

Operating Voltage

Typical : 5 VDC

Insulation Resistance

1000 Megohms minimum @ 500 VDC

Connection Mechanism

Flatted Shaft, Drive Plate

Stop Strength

100 kgf-cm max.

Push-Pull Strength of Shaft

12.7 kg for 10 seconds

Mounting Information

2-Ear , 4-Ear Mounting

Rotational life

2 Million Cycles

Temperature

Operating: -10°C to 85°C

Storage: -40°C to 125°C

Solder Heat Resistance

350°C for 5 seconds

Water Resistance

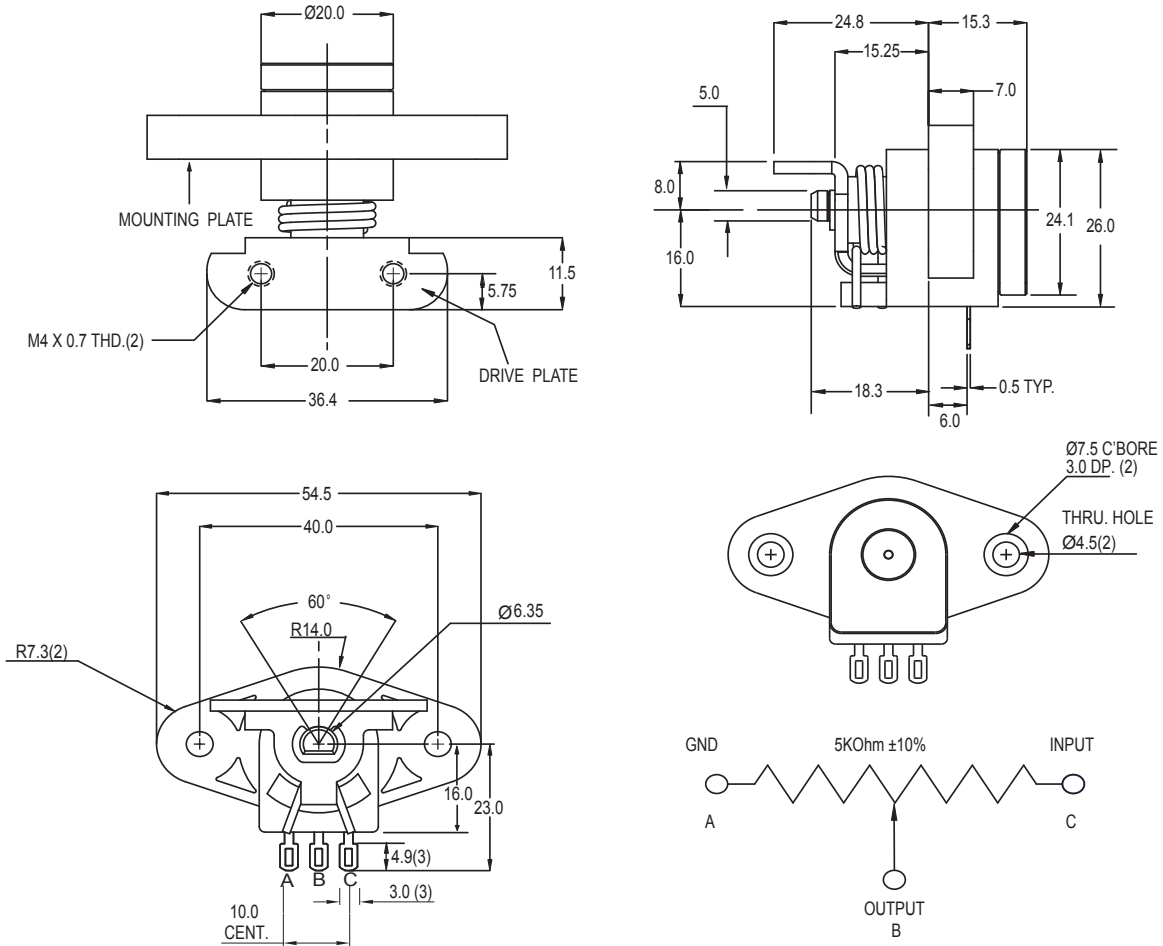
IP64

Starting Torque

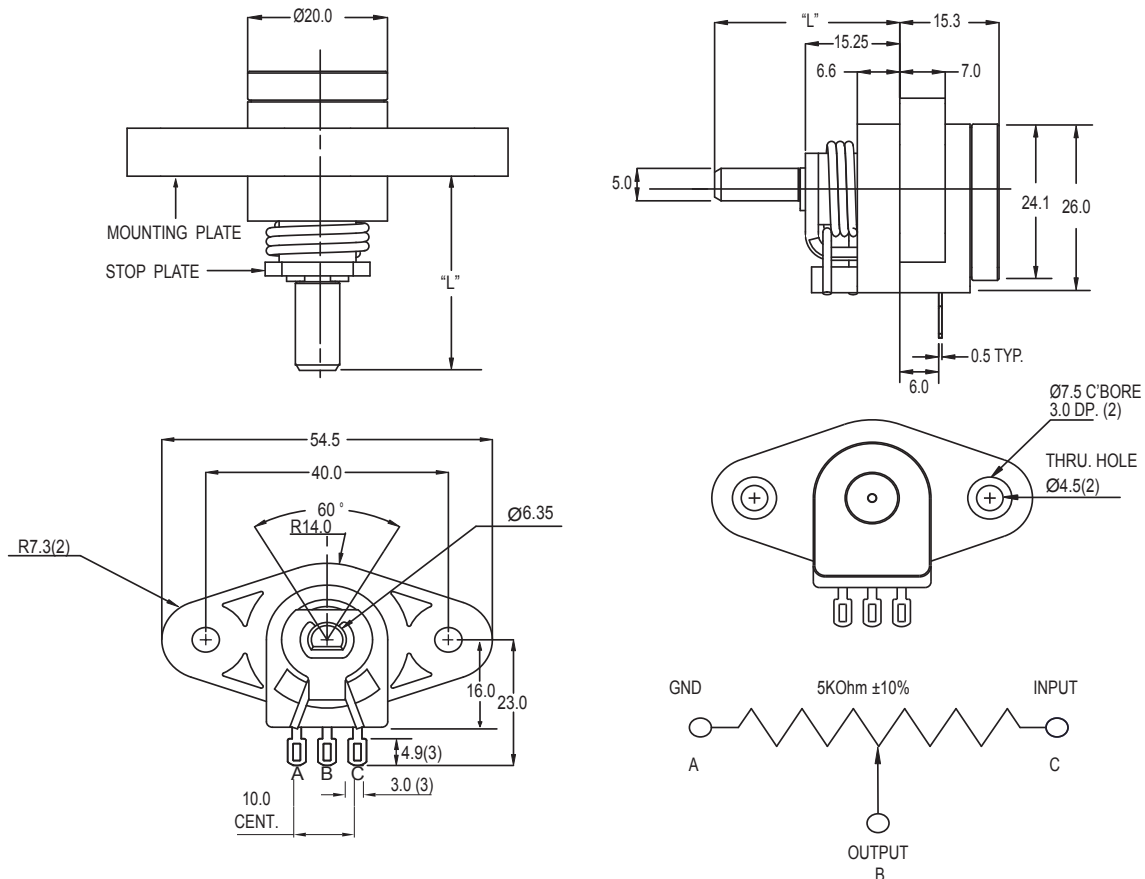
Standard : 1.7kgf-cm

Special : 3.0kgf-cm

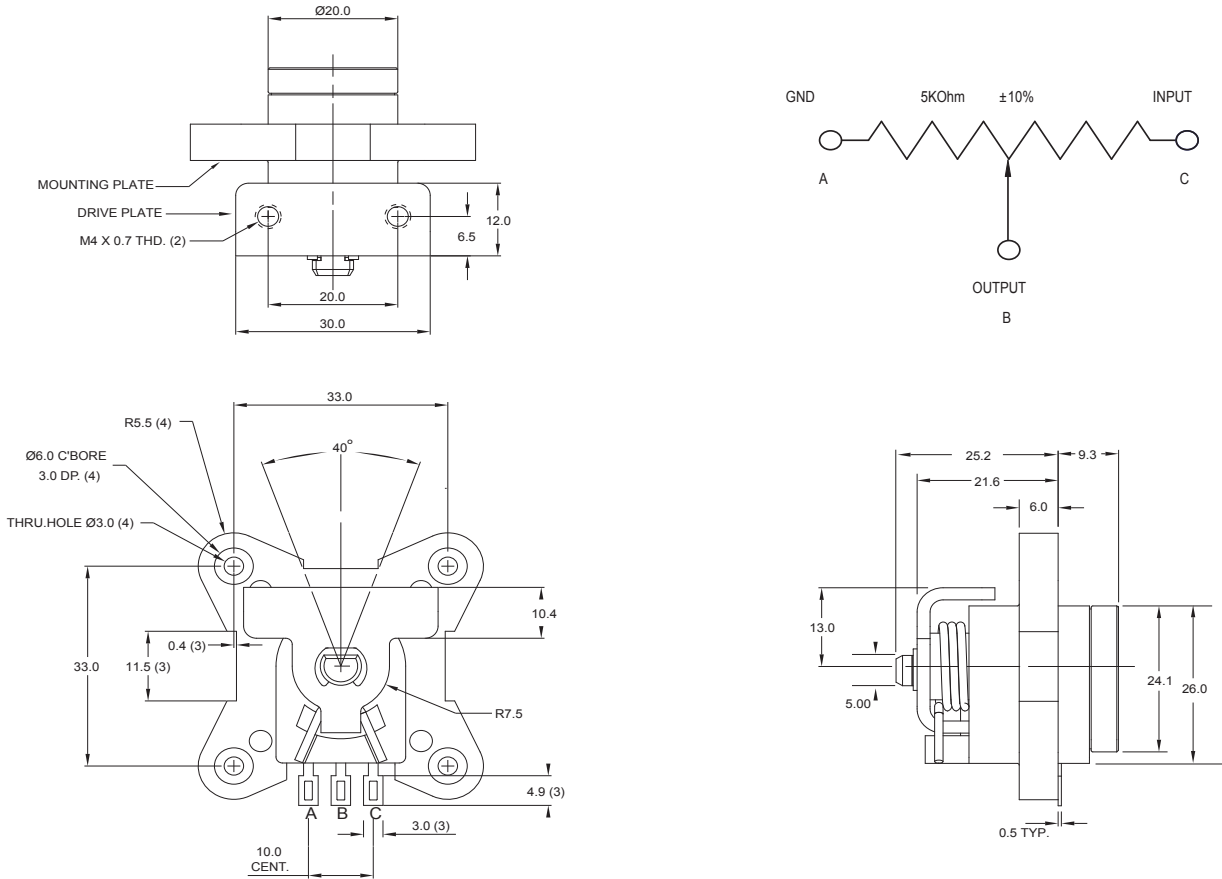
576D Drive Plate Pointing away from Mounting Plate, 2-Ear Mounting, Solder Lug Terminal



576D Stainless Shaft with Stop Plate, 2-Ear Mounting, Solder Lug Terminal

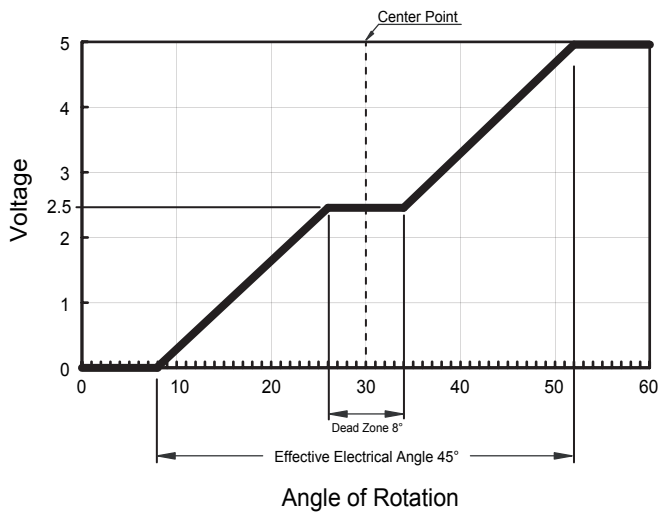


576Q Drive Plate Pointing toward Mounting Plate, 4-Ear Mounting, Solder Lug Terminal

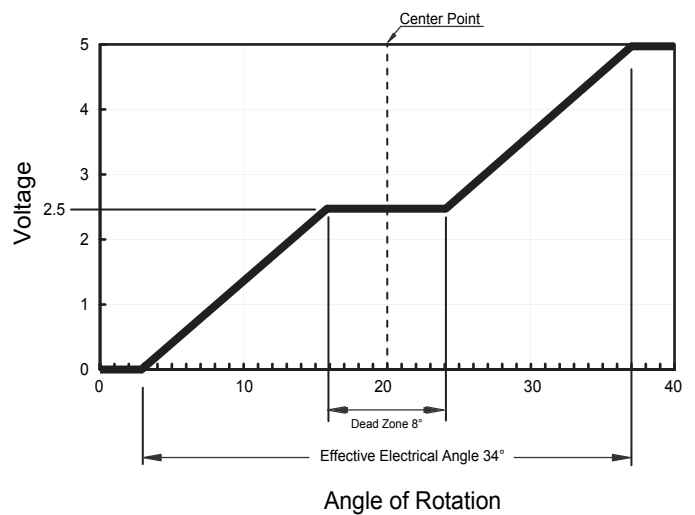


Resistance Tapers

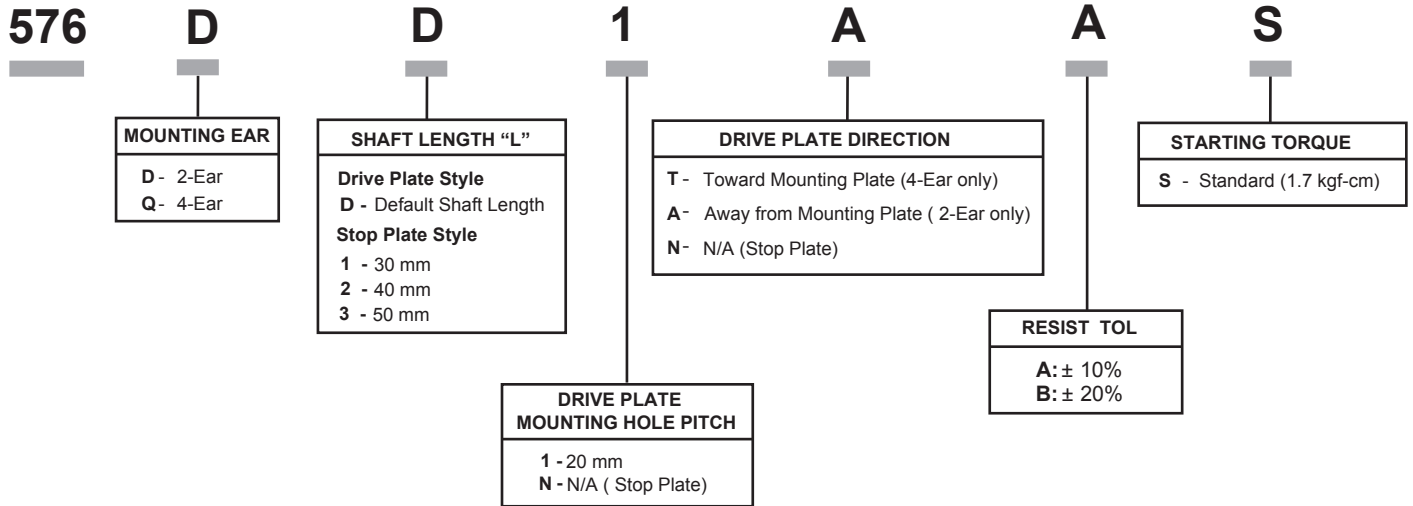
576D (2-Ear Mounting)



576Q (4-Ear Mounting)



Ordering Information



Please consult factory for other mounting options or custom features not listed.