

LOW COST TOGGLE FOR WET & DUSTY ENVIRONMENTS

These toggle switches are rugged, high performance sealed switches designed for use under severe conditions found in heavy equipment, industrial control, marine and appliance applications. The T7 series is sealed to both IP68S and IP69K. OTTO's front panel seal is accomplished with an O-ring under the bat handle. However, now a secondary visible bushing seal is offered as an option.

T7 toggles are offered in single and double pole configurations. A choice of models are offered to handle power levels to 16 amps, 0.5HP and logic level electronic switching applications.

These toggles feature positive detent action for safe switching operation. In conjunction with the unique OTTO snap-action switch mechanism, the T7 offers non-teasible contact transfer.

High contact pressure and superior contact wiping action of the OTTO design makes the T7 an excellent choice for switching loads from logic level up to 16 amps.

Mounting hardware provided includes two hex nuts, one lockwasher and one keyway washer. An optional panel seal is available, P/N C710196, MIL. P/N M5423/16-01.

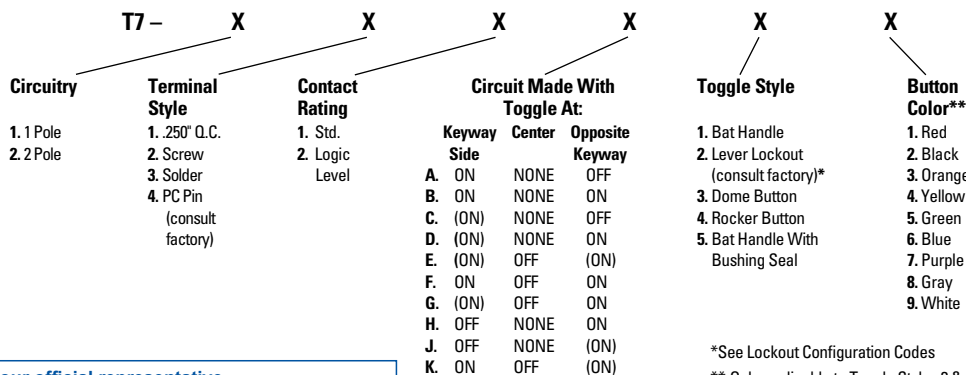


Features:

- Sealed to IP68S and IP69K
- Switches up to 16 amps
- Withstands extreme shock & vibration
- Positive detent, non-teasible contact transfer
- 2 & 3-position, momentary & maintained action
- Choice of terminal styles
- UL recognized
- RoHS compliant
- Black matte finish available (contact factory)

Standard Characteristics/Ratings:			
ELECTRICAL RATINGS:			
Load	Sea Level @ 28VDC	Sea Level @ 125VAC 60/400 Hz	Cycles
Resistive	16A	5A	25,000
Resistive	10A	N/A	50,000
Inductive	7A	2A	25,000
DWV	1000 VRMS	1000 VRMS	1000 VRMS
Logic Level	10mA @ 5VDC	N/A	50,000
Electrical Life:		See Rating Chart	
Mechanical Life:		100,000 cycles	
Seal:		IP68S and IP69K	
Operating Temp Range:		-30°C to +85°C	
MATERIALS:			
Case:		Thermoplastic	
Bushing:		Anodized aluminum alloy	
Toggle:		Stainless steel	
Contacts:		Fine silver/silver cadmium oxide	
Logic Level:		Gold over silver	
Terminal Hardware:		6-32 screw when applicable T7 recommended Quick Connect terminals: AMP 60253-2 for 12-16 AWG AMP 42100-2 for 14-18 AWG	
Mounting Hardware:		Hex nuts, lockwasher, keyway washer	

T7 PART NUMBER CODE



NOTE: () denotes momentary action.

*See Lockout Configuration Codes

** Only applicable to Toggle Styles 3 & 4; otherwise omit.

Your official representative



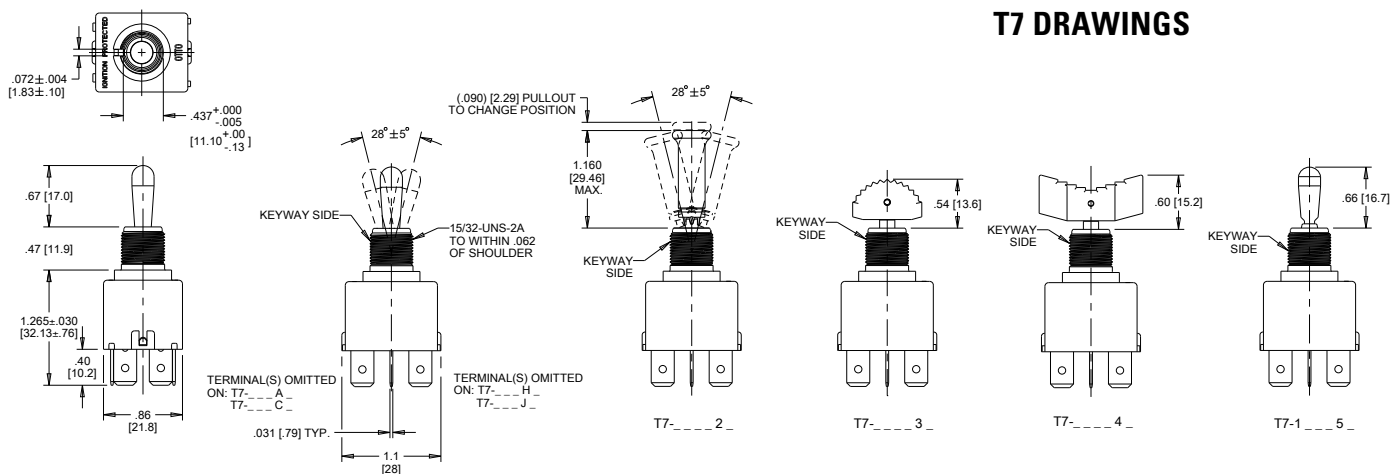
ALDERS electronic GmbH
Arnoldstraße 19
47906 Kempen - Germany
+49 2152 8955-0
sales@alders.de / www.alders.de

T7 Connector P/N C801765
(See Connector page in Hardware & Accessories section)

SEALED TOGGLE SWITCHES

LOW COST TOGGLE FOR WET & DUSTY ENVIRONMENTS

T7 DRAWINGS



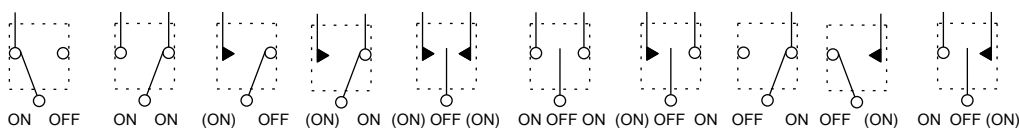
LOCKING COLLAR CONFIGURATIONS

<p>LOCKED IN THREE POSITIONS</p> <p>A</p>	<p>LOCKED IN CENTER & KEYWAY SIDE POSITION</p> <p>B</p>	<p>LOCKED OUT OF CENTER POSITION</p> <p>D</p>	<p>LOCKED IN CENTER POSITION</p> <p>E</p>	<p>LOCKED IN OPPOSITE KEYWAY POSITION</p> <p>F</p>	<p>LOCKED IN KEYWAY SIDE POSITION</p> <p>G</p>	<p>LOCKED OUT OF CENTER & KEYWAY SIDE POSITION</p> <p>H</p>
<p>LOCKED OUT OF CENTER & OPPOSITE KEYWAY POSITION</p> <p>J</p>	<p>LOCKED IN CENTER & OPPOSITE KEYWAY POSITION</p> <p>K</p>	<p>LOCKED OUT OF KEYWAY SIDE POSITION</p> <p>L</p>	<p>LOCKED OUT OF & INTO OPPOSITE KEYWAY POSITION</p> <p>M</p>	<p>LOCKED OUT OF OPPOSITE KEYWAY POSITION</p> <p>N</p>	<p>LOCKED OUT OF & INTO KEYWAY SIDE POSITION</p> <p>P</p>	<p>FIGURES A THRU P DO NOT REPRESENT DETAILS OF CONSTRUCTION. THEY SCHEMATIC ILLUSTRATE LOCKING CONFIGURATIONS & MOM. POSITIONS</p>

TERMINAL STYLES (.031 [.78] THICK)

SCREW	QUICK CONNECT	SOLDER	P.C. PIN
<p>#6-32 THD</p> <p>.25 [6.4]</p>	<p>∅ .08</p> <p>.25 [6.4]</p>	<p>∅ .11</p> <p>.25 [6.4]</p>	<p>.030 SQ. [.76] SQ.</p> <p>.25 [6.4] .10 [2.5]</p>

SINGLE POLE SCHEMATICS



DOUBLE POLE SCHEMATICS

