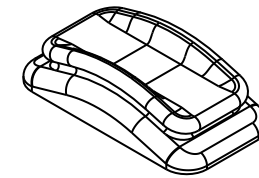


403744

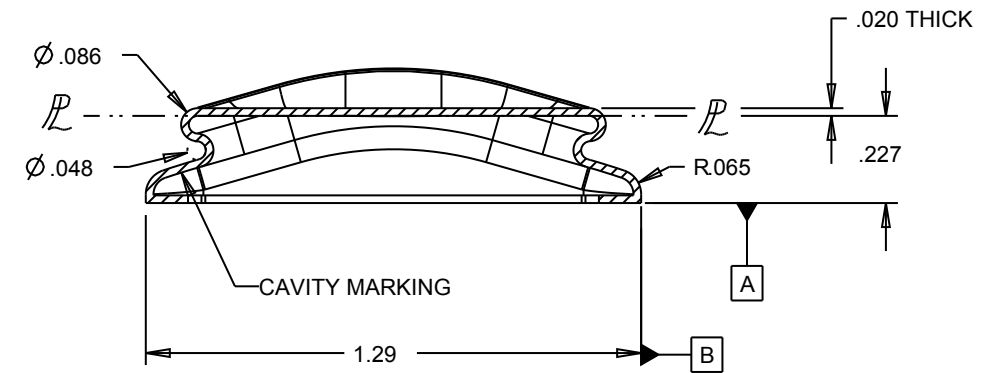
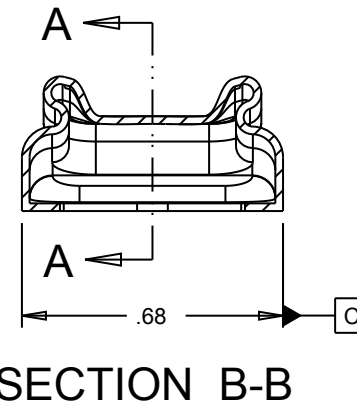
REV	OCN #	DATE	APR
A	051608	28 SEP 09	DLN



SCALE 1:1

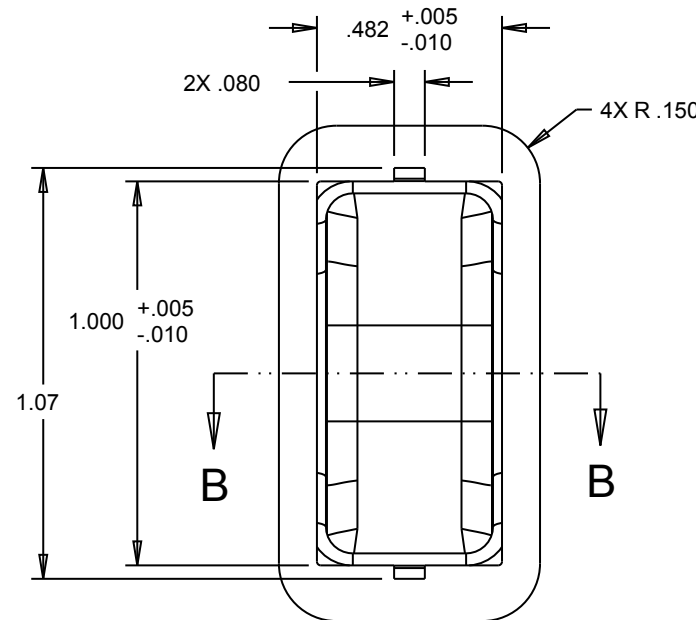
NOTES:

- CHANGE OF MATERIAL IS NOT PERMITTED UNLESS APPROVED IN WRITING BY OTTO ENGINEERING PERSONNEL.
- DRAWING TO BE INTERPRETED IN ACCORDANCE WITH THE CURRENT REVISION OF ASME Y14.5M.
- TSI TO BE INTERPRETED AS THEORETICAL SHARP INTERSECTION.
- THIS PART/PRODUCT IS TO BE MANUFACTURED WITH THE APPLICABLE REGULATIONS OF EC DIRECTIVES 2002/95/EC AND 2002/96/EC, RESTRICTION OF THE USE OF HAZARDOUS SUBSTANCES IN ELECTRICAL AND ELECTRONIC EQUIPMENT (RoHS) AND WASTE ELECTRICAL AND ELECTRONIC EQUIPMENT (WEEE).
- 0% REGRIND PERMISSIBLE.
- FLASH NOT TO EXCEED .012 MAX. UNLESS OTHERWISE STATED.
- PARTING LINE AND EJECTOR MISMATCH SHALL NOT EXCEED .005 UNLESS OTHERWISE STATED.
- USE OF MOLD RELEASE IS PROHIBITED UNLESS APPROVED IN WRITING BY OTTO ENGINEERING PERSONNEL.
- TOOL DESIGN, INCLUDING GATE AND EJECTOR LOCATION, SHALL BE APPROVED BY OTTO ENGINEERING PERSONNEL PRIOR TO TOOLING FABRICATION.
- CAVITY ID IS REQUIRED ON ALL MULTI-CAVITY TOOLS.
- PARTS SHALL BE PACKAGED IN A MANNER TO PREVENT BOWING, SCRATCHING, OR OTHER DAMAGE DURING SHIPMENT.
- IN THE EVENT OF A CONFLICT BETWEEN THIS DRAWING AND THE ASSOCIATED CAD MODEL DATABASE, THE DATABASE SHALL TAKE PRECEDENCE. CONFIRM WITH OTTO ENGINEERING THE CORRECT DATABASE REVISION.
- THE PART IS NOT FULLY DEFINED IN THIS DRAWING, USE THE ASSOCIATED CAD MODEL DATABASE FOR DETAIL DEFINITION. CONFIRM WITH OTTO ENGINEERING THE CORRECT DATABASE REVISION.



SECTION B-B

SECTION A-A



<p>■ MANUFACTURING    ▲ SPC</p>		<p><b>OTTO</b> CARPENTERSVILLE, ILLINOIS USA</p>	<p>DESCRIPTION K1, BOOT, STANDARD BUTTON TRANSLUCENT (CLEAR)</p>				
<p>PROCESS: .</p>	<p>MATERIAL: SILICONE, TRANSLUCENT SHENZHEN TIANYU TY1851 50 SHORE A HARDNESS</p>		<p>DRWN. JFC</p>	<p>SIZE <b>B</b></p>	<p>FSCM NO <b>21649</b></p>	<p>DRAWING NO. <b>403744</b></p>	<p>REV. <b>A</b></p>
<p>UNLESS OTHERWISE SPECIFIED: DIMENSIONS ARE IN INCHES. TOLERANCES ARE AS LISTED. MUST BE FREE FROM BURRS AND SHARP EDGES.</p>	<p>TOLERANCES .XX ±.01 .XXX ±.005 ANGLES ±1° SURFACES 64 MICROINCH DO NOT SCALE DRAWING.</p>	<p>THIS DOCUMENT IS THE CONFIDENTIAL PROPERTY OF OTTO ENGINEERING, INC.. IT IS NOT TO BE USED IN ANY WAY DETRIMENTAL TO THE INTERESTS OF OTTO ENGINEERING, INC..</p>		<p>APPD. SPM</p>	<p>THIRD ANGLE PROJECTION</p>	<p>Scale 2:1</p>	<p>Sheet 1 OF 1</p>