

NOTES:

1. CHANGE OF MATERIAL IS NOT PERMITTED UNLESS APPROVED IN WRITING BY OTTO ENGINEERING PERSONNEL.
2. DRAWING TO BE INTERPRETED IN ACCORDANCE WITH THE CURRENT REVISION OF ASME Y14.5.
3. THIS PART/PRODUCT IS TO BE MANUFACTURED IN ACCORDANCE WITH THE LATEST APPLICABLE REGULATIONS OF EC DIRECTIVES FOR THE RESTRICTION OF THE USE OF HAZARDOUS SUBSTANCES IN ELECTRICAL AND ELECTRONIC EQUIPMENT (ROHS), WASTE ELECTRICAL AND ELECTRONIC EQUIPMENT (WEEE)
4. DIMENSION "B" & DIMENSION "C" TO BE CONCENTRIC TO WITHIN .010



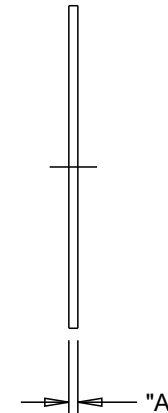
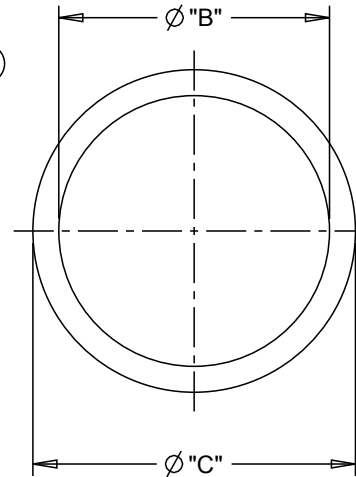
SCALE 1:1

700110

REV	OCN #	DATE	APR
A	004381	09 SEP 81	JH
B	009741	23 AUG 01	RAS
C	022516	28 MAY 04	AH
D	022843	16 JUL 04	REO
E	025450	23 DEC 04	REO
F	025658	12 JAN 05	REO
G	054640	19 MAR 10	REO
H	081672	18 FEB 16	TAO
J	083948	26 SEP 16	TAO

PART NUMBER	DIMENSION "A"	DIMENSION "B"	DIMENSION "C"
700110	.016	.470	.560
700110-1	.062	.470	.560
700110-2	.016	.625	.705
700110-3	.032	.885 \triangle	1.000 \triangle
700110-4	.032	.470	.560
700110-5	.032	.687	.812
700110-6	.016	.687	.812

(J)



■ KEY CHARACTERISTICS

ⓈR SPECIAL REQUIREMENTS

PROCESS:
.
.
.

MATERIAL:
80 DUROMETER SHORE A
NEOPRENE
.
.

OTTO
CARPENTERSVILLE, ILLINOIS USA

DESCRIPTION
P7, WASHER-SEAL

UNLESS OTHERWISE SPECIFIED:
DIMENSIONS ARE IN INCHES.
TOLERANCES ARE AS LISTED.
MUST BE FREE FROM BURRS
AND SHARP EDGES.

TOLERANCES
.XX ±.01
.XXX ±.005
ANGLES ± 1°
SURFACES 64 MICROINCH
DO NOT SCALE DRAWING.

THIS DOCUMENT IS THE CONFIDENTIAL
PROPERTY OF OTTO ENGINEERING, INC..
IT IS NOT TO BE USED IN ANY WAY
DETRIMENTAL TO THE INTERESTS
OF OTTO ENGINEERING, INC..

DRWN. JK	SIZE	FSCM NO	DRAWING NO.	REV.
CHKD. TAO	A	21649	700110	J
APPD. AH				
WT.	THIRD ANGLE PROJECTION	Scale N/A	Sheet 1 OF 1	