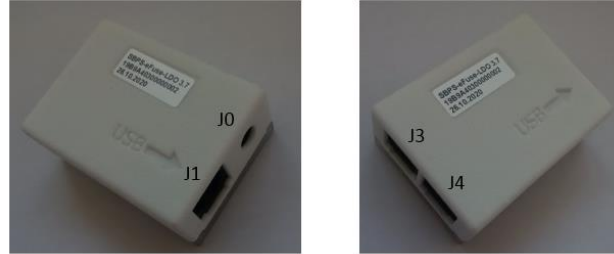


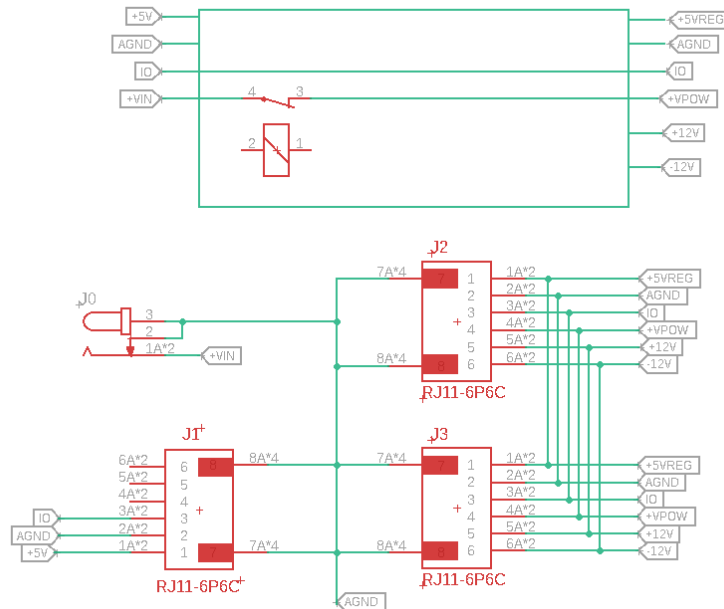
## DESCRIPTION

### SBPS-eFUSE-LDO 3.7

SBPS-eFuse-LDO 3.7



Power supply for sensor controllers with a  $-12\text{V}/+12\text{V}$  fixed voltage source, a  $5\text{V}$  eFuse with precision current limit and overvoltage clamp as well as ultralow-noise linear regulators. A  $+18\text{V}$  max power voltage can be attached to the  $5.5\text{ mm}/2.5\text{ mm}$  socket (J0); the power voltage is switchable to pin 4 of the two 1-wire output connectors through a relais. The maximum current is  $800\text{ mA}$ . The  $+12\text{V}$  and  $-12\text{V}$  bipolar power lines are switchable and available at pins 5 and 6, respectively, of sockets J2 and J3. Connect SBPS-eFuse-LDO 3.7 with a 1-wire bus connector at socket J1 with a 6p6c RJ12 cable to a 1-wire USB adapter plugged into an USB socket of WINDOWS® PC running the SensorControl software.



**Note:** Always connect SBPS-eFuse-LDO 3.7 to the running PC before attaching the power voltage at socket J0 to prevent the presence of +VPOW at pins 4 of the sockets J2 and J3.

#### Revision History

Rev.	Date	Contributor	
0.1	Feb 2021	K. Schierbaum	Creation