

SEALED, ILLUMINATED ROCKER SWITCHES

K1/K2
SNAP-IN
ROCKERS

LOW COST, SNAP-IN ROCKER FOR WET & DUSTY ENVIRONMENTS

The K series rockers are rugged, high performance sealed switches designed for use under severe conditions found in marine, appliance, heavy equipment and industrial control applications.

The K1 and K2 series are sealed to IP68S and IP69K and panel sealed with an optional panel gasket.

The K1 series is offered in single pole configuration and the K2 series is available in both single and double pole configurations. Both series offer illuminated models. Illumination can be independent or dependent of the switch position or a combination of both. A choice of red, green, clear or amber colored lenses are offered in illuminated models. Illumination options include incandescent, LED or neon light sources.

Mounting is simple and quick; snaps into panel from the front. The OTTO snap-in design supports a variety of panel thicknesses with just one cutout size.

A choice of models are offered to handle high power levels and logic level electronic switching applications.

Custom colors are available upon request. Value-added assemblies with wire leads are also available. Please contact our factory for assistance.



K1 Series
Single Pole



K2 Series
Single & Double Pole



Features:

- Sealed to IP68S and IP69K
- Fits industry standard panel openings for drop-in replacement of panel sealed & unsealed switches
- Snap-in feature accommodates a wide range of panel cutouts
- UV & solvent resistant
- Withstands extreme shock & vibration
- Custom legends available
- 2 & 3-position, momentary & maintained action
- Incandescent, LED & neon illumination with independent & dependent light source options
- UL recognized
- Ignition protected
- Optional one-piece connector
- Optional panel gasket available
- RoHS compliant

Standard Characteristics/Ratings:

ELECTRICAL RATINGS:

Load	Sea Level @ 28VDC	Sea Level @ 125/250 VAC, 60/400Hz	Cycles
Resistive	16A	5A	25,000
Resistive	10A	N/A	50,000
Inductive	7A	2A	25,000
DWV	1000Vrms except across light terminals		
Logic Level	10mA @ 5VDC, max D.C. logic level ratings (void if logic level load(s) exceeded at any time)		

Electrical Life: See Rating Chart

LIGHTING:

Light Source Rating (see appendix for complete voltage/current ratings table)

Incandescent	(VDC) 6V, 12V, 24V
Neon	(VAC) 125V, 250V
LED	(VDC) 2V, 6V, 12V, 24V

Mechanical Life: 100,000 cycles

Seal: IP68S and IP69K

Operating Temp Range: -30°C to +85°C

MATERIALS:

Case:	Thermoplastic
Button:	Thermoplastic
Base:	Thermoplastic
Terminals/Contact:	Brass, silver alloy with silver plate, gold flash for logic level
Terminal Hardware:	Screws and lockwashers provided when applicable K1/K2 series recommended Quick Connect terminals: AMP 60253-2 for 12-16 AWG AMP 42100-2 for 14-18 AWG
Mounting Hardware:	None provided

Votre distributeur officiel



ALDERS®
Indicate. Control. Connect.

ALDERS electronic GmbH
Arnoldstraße 19
47906 Kempen - Allemagne

+33 3 88064677
+33 6 33389393
catherine.sturm@alders.fr / www.alders.fr

SEALED, ILLUMINATED ROCKER SWITCHES

K2
SNAP-IN
ROCKERS

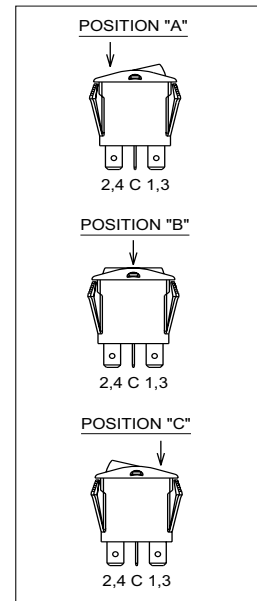
LOW COST, SNAP-IN ROCKER FOR WET & DUSTY ENVIRONMENTS, 1 & 2 POLES

K2 PART NUMBER CODE

Part Number Code Continued Below

K2	X	X	X	Switch Action/Circuit			Circuit
				Position "A"	Position "B"	Position "C"	
Terminal Style/ Switch Rating		Actuator Color/Style					
A. Quick Connect/ Standard		A. Red Standard		A. 1-C1	NONE	OFF	SPST
B. Screw/Standard		B. Black Standard		B. 1-C1	NONE	2-C1	SPDT
C. Solder/Standard		C. White Standard		C. (1-C1)	NONE	OFF	SPST
D. Quick Connect/ Logic Level		D. Red Standard Paddle		D. (1-C1)	NONE	2-C1	SPDT
E. Screw/Logic Level		E. Black Standard Paddle		E. (1-C1)	OFF	(2-C1)	SPDT
F. Solder/Logic Level		F. White Standard Paddle		F. 1-C1	OFF	2-C1	SPDT
G. PC Pin/Standard		G. Red Short Paddle Pinned		G. (1-C1)	OFF	2-C1	SPDT
H. PC Pin/Logic Level		H. Black Short Paddle Pinned		H. 1-C1/3-C2	NONE	OFF	DPST
		J. White Short Paddle Pinned		J. 1-C1/3-C2	NONE	2-C1/4-C2	DPDT
		K. Red Standard Paddle Pinned		K. (1-C1)/(3-C2)	NONE	OFF	DPST
		L. Black Standard Paddle Pinned		L. (1-C1)/(3-C2)	NONE	2-C1/4-C2	DPDT
		M. White Standard Paddle Pinned		M. (1-C1)/(3-C2)	OFF	(2-C1)/(4-C2)	DPDT
		N. Red Standard Pinned		N. 1-C1/3-C2	OFF	2-C1/4-C2	DPDT
		P. Black Standard Pinned		P. (1-C1)/(3-C2)	OFF	2-C1/4-C2	DPDT
		R. White Standard Pinned		Q. 1-C1	NONE	(2-C1)	SPDT
				R. OFF	NONE	(2-C1)	SPST
				S. 1-C1/3-C2	NONE	(2-C1)/(4-C2)	DPDT
				T. OFF	NONE	(2-C1)/(4-C2)	DPST
				U. 1-C1	OFF	(2-C1)	SPDT
				V. 1-C1/3-C2	OFF	(2-C1)/(4-C2)	DPDT

NOTE: For custom colors, contact factory.



K2 PART NUMBER CODE - CONTINUED FROM ABOVE

X	X	X	X	Light/Circuit Location		X
				Position "A"	Position "C"	
Light Type*		Lens Color				
A. No Light		A. No Lens		A. No Light		A. None
B. 6V Incandescent		B. Red		B. Dependent Light ON in position "A" Wired to terms 1 & 7		B. ON
C. 12V Incandescent		C. Green		C. Dependent Light ON in position "C" Wired to terms 2 & 8		C. OFF
D. 24V Incandescent		D. Amber		D. Independent Light at position "A" Wired to terms 8 & 7		D. ON
E. 125 VAC Neon		E. Clear		E. Independent Light at position "C" Wired to terms 8 & 7		E. OFF
F. 250 VAC Neon				F. Dependent Light ON in position "A" Wired to terms 1 & 7		F. ON
G. 2V Red LED				G. Independent Light at position "C" Wired to terms 8 & 7		G. OFF
H. 2V Green LED				H. Independent Light ON in position "A" Wired to terms 7 & 8		H. ON
J. 2V Amber LED				J. Independent Light ON in position "C" Wired to terms 2 & 8		J. ON
K. 6V Red LED						K. OFF
L. 6V Green LED						L. OFF
M. 6V Amber LED						M. OFF
N. 12V Red LED						N. OFF
P. 12V Green LED						P. OFF
Q. 12V Amber LED						Q. OFF
R. 24V Red LED						R. OFF
S. 24V Green LED						
T. 24V Amber LED						

*See appendix for complete voltage/ratings table

NOTES:

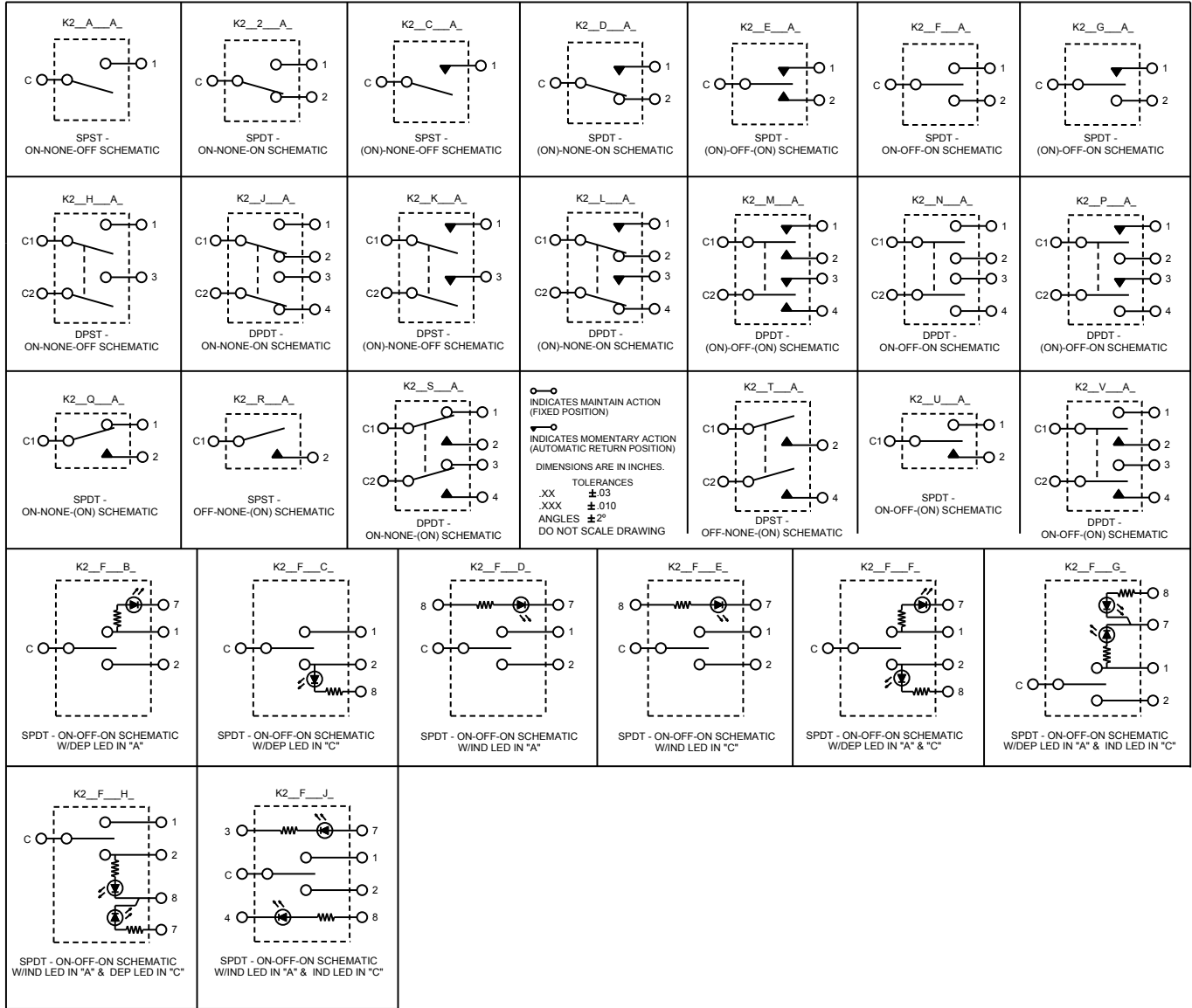
- No momentary switches with dependent lights.
- Neon lamps only to be coded with clear or amber lenses.
- LED lenses must be clear or same color as LED.
- K2 connector P/N C801765. (See Connector page in Hardware & Accessories Section)**
- Recommended Quick Connect Terminals:
AMP 60253-2 for 12-16 AWG wire with 0.160" -0.210" insulation OD
AMP 42100-2 for 14-18 AWG wire with 0.100" -0.170" insulation OD
- No dependent light in OFF position.
- All legends printed on actuators without lens(es) will be white except actuator codes C, F, J, M & R.
- All legends printed on lenses will be white except on clear lens(es) will be black.
- K2 panel plugs available as shown in Panel Plugs (PP) section.**

X	
Light/Circuit Location	
A. No Light	
B. Dependent Light ON in position "A" Wired to terms 1 & 7	F. Dependent Light ON in position "A" Wired to terms 1 & 7
C. Dependent Light ON in position "C" Wired to terms 2 & 8	G. Dependent Light ON in position "A" Wired to terms 1 & 7
D. Independent Light at position "A" Wired to terms 8 & 7	H. Independent Light ON in position "A" Wired to terms 7 & 8
E. Independent Light at position "C" Wired to terms 8 & 7	J. Independent Light ON in position "C" Wired to terms 2 & 8
D = Dependent Light I = Independent Light	
NOTES: <ul style="list-style-type: none"> LED anode (+) terminal number shown in bold. Light on OFF side must be independent. Contact factory for multiple light types in the same switch. 	

X	
Legend & Orientation	
A. None	
B. ON	C. OFF
D. OFF	E. ON
F. ON	G. OFF
H. ON	J. ON
K. OFF	L. OFF
M. OFF	N. OFF
P. OFF	R. OFF

SEALED, ILLUMINATED ROCKER SWITCHES

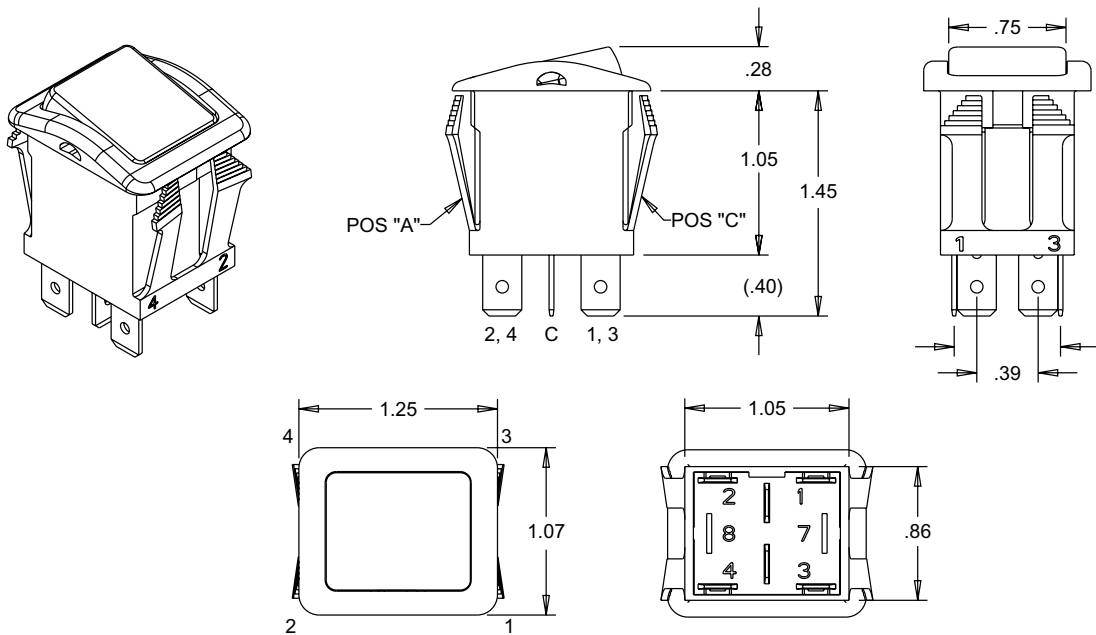
LOW COST, SNAP-IN ROCKER FOR WET & DUSTY ENVIRONMENTS, 1 & 2 POLES



SEALED, ILLUMINATED ROCKER SWITCHES

K2
SNAP-IN
ROCKERS

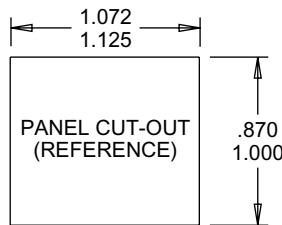
LOW COST, SNAP-IN ROCKER FOR WET & DUSTY ENVIRONMENTS, 1 & 2 POLES



PANEL THICKNESS AND MOUNTING OPENING GUIDELINES:

PANEL THICKNESS RANGE OF .025 - .105
(GASKET RECOMMENDED)

PANEL THICKNESS RANGE OF .105 - .187
(GASKET NOT REQUIRED)



OPTIONAL PANEL GASKET:

0.062" THICKNESS = P/N C807038-25-1

0.031" THICKNESS = P/N C807038-25-2

ROCKER STYLES		
SHORT PADDLE ROCKER	STANDARD PADDLE ROCKER	STANDARD ROCKER

TERMINAL STYLES (.032 THICK)			
SCREW	QUICK CONNECT	SOLDER	P.C. PIN

K2 AND K4 AND T7 CONNECTOR PART NUMBER CODE

C801765 -

XX

XXXX

Connector Color

- 01. Red
- 02. Black
- 03. Orange*
- 04. Yellow*
- 05. Green*
- 06. Blue*
- 07. Violet*
- 08. Gray*
- 09. White

* Contact Factory

Packaging Quantity

- 0025 - 25 Pcs per Package
- 0050 - 50 Pcs per Package
- 0100 - 100 Pcs per Package

