

ATTRACTIVE & RUGGED FOR WET & DUSTY ENVIRONMENTS

Sealed to IP68S and IP69K, the OTTO K3 rocker switch is a quality, precision switch designed to comply with standards established for appliance, marine (ignition protection) and off-road vehicles along with other demanding applications where rugged rocker switches are required.

K3 sealed rocker switches snap into industry-standard panel cutouts. Choose illuminated and printed legends, thru-panel drain option and switching compatibility from logic level to 20 amps.

The K3 offers a choice of LED, incandescent and neon illumination. Legends can be stamped onto a non-illuminated button, stamped onto an illuminated lens or laser etched into the lens and backlit.

Available in standard and logic level contact ratings, the K3 rockers will fit a wide range of applications. Expect a minimum of 25,000 cycles at a full rated load of 20 amps resistive or 15 amps inductive. 100,000 cycles mechanical. A full complement of switch operation is available including momentary and maintained action in 2 or 3-position switches in SPST, SPDT, SPTT, DPST and DPDT circuit arrangements.

OTTO can provide custom colors upon request. Value-added assemblies with wire leads are also available. Please consult the factory for assistance.

Features:

- Sealed watertight per IP68S and IP69K
- Snap-in panel mounting into industry standard panel cutout
- Optional panel seal gasket
- Thru-panel drain option
- LED, neon & incandescent lighting
- 0.250" Quick Connect terminals
- Optional one-piece connector
- Optional terminal barriers
- Logic level up to 20 amp switch
- Configurable Single Pole Triple Throw (SPTT) with external jumpers
- RoHS compliant



Standard Characteristics/Ratings:

ELECTRICAL RATINGS:

Load	Sea Level @ 12/28VDC	Sea Level @ 125VAC, 60Hz
Resistive	20A	16A
Inductive	15A	15A
Lamp	5A	5A
Motor	0.5HP @ 110VAC	
DWV	1050Vrms except across light terminals	
Logic Level	10mA @ 5VDC, max D.C. logic level ratings (void if logic level load(s) exceeded at any time)	

Electrical Life: 25,000 cycles

LIGHTING:

Light Source	Rating (see appendix for complete voltage/current ratings table)
Incandescent	(VDC) 6V, 12V, 24V
Neon	(VAC) 125V, 250V
LED	(VDC) 2V, 6V, 12V, 24V

Mechanical Life: 100,000 cycles

Seal: IP68S and IP69K

Operating Temp Range: -40°C to +85°C

MATERIALS:

Case:	Thermoplastic, black
Button:	Thermoplastic
Terminals/Contact:	Brass, silver alloy with silver plate, gold flash for logic level
Terminal Hardware:	K3 series recommended Quick Connect terminals: AMP 60253-2 for 12-16 AWG AMP 42100-2 for 14-18 AWG
Mounting Hardware:	None provided

Votre distributeur officiel



ALDERS
Indicate. Control. Connect.

ALDERS electronic GmbH
Arnoldstraße 19
47906 Kempen - Allemagne

+33 3 88064677
+33 6 33389393

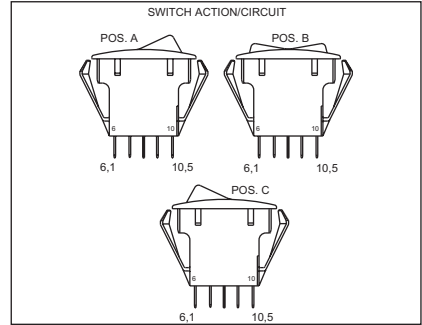
catherine.sturm@alders.fr / www.alders.fr

SEALED, ILLUMINATED ROCKER SWITCHES

K3 SERIES PART NUMBER CODE

Part Number Code Continued Below

K3	X	X	XX	X	X																																																												
Base Options		Case Style/Button Color		Switch Action/Circuit																																																													
<p>A. With Keying Pin Only Standard Rating Silver Plate</p> <p>B. Without Barriers or Pin Standard Rating Silver Plate</p> <p>C. With Terminal Barriers Only Standard Rating Silver Plate</p> <p>D. With Keying Pin Only Logic Level Rating Gold Plate</p> <p>E. Without Barriers or Pin Logic Level Rating Gold Plate</p> <p>F. With Terminal Barriers Only Logic Level Rating Gold Plate</p> <p>G. With Keying Pin Only Standard Rating No Plate</p> <p>H. Without Barriers or Pin Standard Rating No Plate</p> <p>J. With Terminal Barriers Only Standard Rating No Plate</p>		<p>A. Case With Drain Holes Button Color: Black</p> <p>B. Case Without Drain Holes Button Color: Black</p> <p>C. Case With Drain Holes Button Color: Red</p> <p>D. Case Without Drain Holes Button Color: Red</p> <p>E. Case With Drain Holes Button Color: White</p> <p>F. Case Without Drain Holes Button Color: White</p> <p>NOTE: Switch case is black for all options below:</p> <p>1. Case With Drain Holes Button Not Included</p> <p>2. Case Without Drain Holes Button Not Included</p>		<table border="0"> <thead> <tr> <th>Position "A"</th> <th>Position "B"</th> <th>Position "C"</th> <th>Circuit</th> </tr> </thead> <tbody> <tr><td>1A. 3-4</td><td>NONE</td><td>OFF</td><td>SPST</td></tr> <tr><td>2A. 3-4/8-9</td><td>NONE</td><td>OFF</td><td>DPST</td></tr> <tr><td>1B. 3-4</td><td>NONE</td><td>3-2</td><td>SPDT</td></tr> <tr><td>2B. 3-4/8-9</td><td>NONE</td><td>3-2/8-7</td><td>DPDT</td></tr> <tr><td>1C. (3-4)</td><td>NONE</td><td>OFF</td><td>SPST</td></tr> <tr><td>2C. (3-4)/(8-9)</td><td>NONE</td><td>OFF</td><td>DPST</td></tr> <tr><td>1D. (3-4)</td><td>NONE</td><td>3-2</td><td>SPDT</td></tr> <tr><td>2D. (3-4)/(8-9)</td><td>NONE</td><td>3-2/8-7</td><td>DPDT</td></tr> <tr><td>1E. (3-4)</td><td>OFF</td><td>(3-2)</td><td>SPDT</td></tr> <tr><td>2E. (3-4)/(8-9)</td><td>OFF</td><td>(3-2)/(8-7)</td><td>DPDT</td></tr> <tr><td>1F. 3-4</td><td>OFF</td><td>3-2</td><td>SPDT</td></tr> <tr><td>2F. 3-4/8-9</td><td>OFF</td><td>3-2/8-7</td><td>DPDT</td></tr> <tr><td>1G. (3-4)</td><td>OFF</td><td>3-2</td><td>SPDT</td></tr> <tr><td>2G. (3-4)/(8-9)</td><td>OFF</td><td>3-2/8-7</td><td>DPDT</td></tr> </tbody> </table>		Position "A"	Position "B"	Position "C"	Circuit	1A. 3-4	NONE	OFF	SPST	2A. 3-4/8-9	NONE	OFF	DPST	1B. 3-4	NONE	3-2	SPDT	2B. 3-4/8-9	NONE	3-2/8-7	DPDT	1C. (3-4)	NONE	OFF	SPST	2C. (3-4)/(8-9)	NONE	OFF	DPST	1D. (3-4)	NONE	3-2	SPDT	2D. (3-4)/(8-9)	NONE	3-2/8-7	DPDT	1E. (3-4)	OFF	(3-2)	SPDT	2E. (3-4)/(8-9)	OFF	(3-2)/(8-7)	DPDT	1F. 3-4	OFF	3-2	SPDT	2F. 3-4/8-9	OFF	3-2/8-7	DPDT	1G. (3-4)	OFF	3-2	SPDT	2G. (3-4)/(8-9)	OFF	3-2/8-7	DPDT
Position "A"	Position "B"	Position "C"	Circuit																																																														
1A. 3-4	NONE	OFF	SPST																																																														
2A. 3-4/8-9	NONE	OFF	DPST																																																														
1B. 3-4	NONE	3-2	SPDT																																																														
2B. 3-4/8-9	NONE	3-2/8-7	DPDT																																																														
1C. (3-4)	NONE	OFF	SPST																																																														
2C. (3-4)/(8-9)	NONE	OFF	DPST																																																														
1D. (3-4)	NONE	3-2	SPDT																																																														
2D. (3-4)/(8-9)	NONE	3-2/8-7	DPDT																																																														
1E. (3-4)	OFF	(3-2)	SPDT																																																														
2E. (3-4)/(8-9)	OFF	(3-2)/(8-7)	DPDT																																																														
1F. 3-4	OFF	3-2	SPDT																																																														
2F. 3-4/8-9	OFF	3-2/8-7	DPDT																																																														
1G. (3-4)	OFF	3-2	SPDT																																																														
2G. (3-4)/(8-9)	OFF	3-2/8-7	DPDT																																																														
		Light Source Type*		Light Circuit																																																													
		<p>A. No Illumination</p> <p>B. 6V Incandescent</p> <p>C. 12V Incandescent</p> <p>D. 24V Incandescent</p> <p>E. 125VAC Neon</p> <p>F. 250VAC Neon</p> <p>G. 2V Red LED</p> <p>H. 2V Green LED</p> <p>J. 2V Amber LED</p> <p>K. 6V Red LED</p> <p>L. 6V Green LED</p> <p>M. 6V Amber LED</p> <p>N. 12V Red LED</p> <p>P. 12V Green LED</p> <p>Q. 12V Amber LED</p> <p>R. 24V Red LED</p> <p>S. 24V Green LED</p> <p>T. 24V Amber LED</p>		<table border="0"> <thead> <tr> <th>Circuit</th> <th>Terminal Connections</th> </tr> </thead> <tbody> <tr><td>A. None</td><td>None</td></tr> <tr><td>B. Dep. in "A"</td><td>1(-) & 4(+)</td></tr> <tr><td>C. Dep. in "C"</td><td>2(+) & 5(-)</td></tr> <tr><td>D. Ind. in "A"</td><td>1(-) & 6(+)</td></tr> <tr><td>E. Ind. in "C"</td><td>5(-) & 10(+)</td></tr> <tr><td>F. Dep. in "A"</td><td>1(-) & 4(+)</td></tr> <tr><td>G. Dep. in "C"</td><td>2(+) & 5(-)</td></tr> <tr><td>H. Ind. in "A"</td><td>1(-) & 6(+)</td></tr> <tr><td>J. Ind. in "C"</td><td>5(-) & 10(+)</td></tr> </tbody> </table> <p>NOTE: Polarity only applies to LED circuits.</p>		Circuit	Terminal Connections	A. None	None	B. Dep. in "A"	1(-) & 4(+)	C. Dep. in "C"	2(+) & 5(-)	D. Ind. in "A"	1(-) & 6(+)	E. Ind. in "C"	5(-) & 10(+)	F. Dep. in "A"	1(-) & 4(+)	G. Dep. in "C"	2(+) & 5(-)	H. Ind. in "A"	1(-) & 6(+)	J. Ind. in "C"	5(-) & 10(+)																																								
Circuit	Terminal Connections																																																																
A. None	None																																																																
B. Dep. in "A"	1(-) & 4(+)																																																																
C. Dep. in "C"	2(+) & 5(-)																																																																
D. Ind. in "A"	1(-) & 6(+)																																																																
E. Ind. in "C"	5(-) & 10(+)																																																																
F. Dep. in "A"	1(-) & 4(+)																																																																
G. Dep. in "C"	2(+) & 5(-)																																																																
H. Ind. in "A"	1(-) & 6(+)																																																																
J. Ind. in "C"	5(-) & 10(+)																																																																
		Special Circuits																																																															
		<table border="0"> <thead> <tr> <th>Position "A"</th> <th>Position "B"</th> <th>Position "C"</th> <th>Special Circuits</th> </tr> </thead> <tbody> <tr><td>1H. 3-4/8-9</td><td>8-9</td><td>OFF</td><td>ON/ON/OFF</td></tr> <tr><td>1J. 3-4/8-9</td><td>8-9</td><td>NONE</td><td>ON/ON/NONE</td></tr> <tr><td>1K. (3-4)/(8-9)</td><td>8-9</td><td>OFF</td><td>(ON)/ON/OFF</td></tr> <tr><td>1L. (3-4)/(8-9)</td><td>8-9</td><td>NONE</td><td>(ON)/ON/NONE</td></tr> <tr><td>1M. 3-4/8-9</td><td>3-2/8-9</td><td>3-2/8-7</td><td>ON/ON/ON</td></tr> <tr><td>1N. (3-4)/(8-9)</td><td>3-2/8-9</td><td>3-2/8-7</td><td>(ON)/ON/ON</td></tr> <tr><td>1P. (3-4)/(8-9)</td><td>3-2/8-9</td><td>(3-2)/(8-7)</td><td>(ON)/ON/(ON)</td></tr> <tr><td>2R. 3-4/8-9</td><td>OFF/8-9</td><td>OFF/OFF</td><td>ON/OFF/OFF</td></tr> <tr><td>2S. (3-4)/8-9</td><td>OFF/8-9</td><td>OFF/OFF</td><td>(ON)/OFF/OFF</td></tr> </tbody> </table>		Position "A"	Position "B"	Position "C"	Special Circuits	1H. 3-4/8-9	8-9	OFF	ON/ON/OFF	1J. 3-4/8-9	8-9	NONE	ON/ON/NONE	1K. (3-4)/(8-9)	8-9	OFF	(ON)/ON/OFF	1L. (3-4)/(8-9)	8-9	NONE	(ON)/ON/NONE	1M. 3-4/8-9	3-2/8-9	3-2/8-7	ON/ON/ON	1N. (3-4)/(8-9)	3-2/8-9	3-2/8-7	(ON)/ON/ON	1P. (3-4)/(8-9)	3-2/8-9	(3-2)/(8-7)	(ON)/ON/(ON)	2R. 3-4/8-9	OFF/8-9	OFF/OFF	ON/OFF/OFF	2S. (3-4)/8-9	OFF/8-9	OFF/OFF	(ON)/OFF/OFF																						
Position "A"	Position "B"	Position "C"	Special Circuits																																																														
1H. 3-4/8-9	8-9	OFF	ON/ON/OFF																																																														
1J. 3-4/8-9	8-9	NONE	ON/ON/NONE																																																														
1K. (3-4)/(8-9)	8-9	OFF	(ON)/ON/OFF																																																														
1L. (3-4)/(8-9)	8-9	NONE	(ON)/ON/NONE																																																														
1M. 3-4/8-9	3-2/8-9	3-2/8-7	ON/ON/ON																																																														
1N. (3-4)/(8-9)	3-2/8-9	3-2/8-7	(ON)/ON/ON																																																														
1P. (3-4)/(8-9)	3-2/8-9	(3-2)/(8-7)	(ON)/ON/(ON)																																																														
2R. 3-4/8-9	OFF/8-9	OFF/OFF	ON/OFF/OFF																																																														
2S. (3-4)/8-9	OFF/8-9	OFF/OFF	(ON)/OFF/OFF																																																														



*See appendix for complete voltage/current ratings table.

NOTE: () denotes momentary action.

K3 PART NUMBER CODE - CONTINUED FROM ABOVE

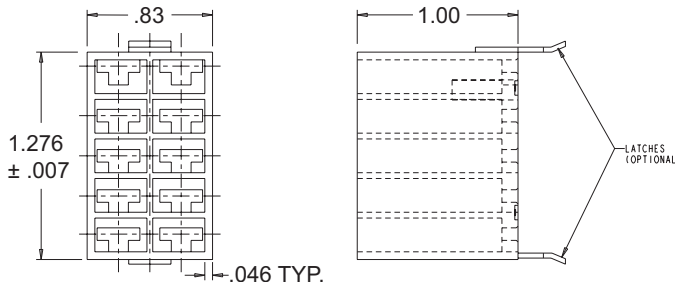
X	X	XX	XX	X	X	X																																										
Lens Color		Legend Style		Legend Color		Legend Orientation																																										
<table border="0"> <thead> <tr> <th>Position "A"</th> <th>Position "C"</th> </tr> </thead> <tbody> <tr><td>1. Transparent Red</td><td>1. Transparent Red</td></tr> <tr><td>2. Transparent Green</td><td>2. Transparent Green</td></tr> <tr><td>3. Transparent Amber ①</td><td>3. Transparent Amber ①</td></tr> <tr><td>4. Clear ①</td><td>4. Clear ①</td></tr> <tr><td>5. Translucent White ②</td><td>5. Translucent White ②</td></tr> <tr><td>Z. No Lens ③</td><td>Z. No Lens ③</td></tr> </tbody> </table> <p>NOTE: It is not recommended to use green LEDs with translucent white lenses. This will reduce light intensity. Use clear lenses with green LEDs for maximum light intensity.</p> <p>① Recommended for neon lamps.</p> <p>② Special Order: Ultra bright green LED to be used with translucent white lenses.</p> <p>③ Legend colors "B" & "D" are only available on lens color "Z".</p>		Position "A"	Position "C"	1. Transparent Red	1. Transparent Red	2. Transparent Green	2. Transparent Green	3. Transparent Amber ①	3. Transparent Amber ①	4. Clear ①	4. Clear ①	5. Translucent White ②	5. Translucent White ②	Z. No Lens ③	Z. No Lens ③	<table border="0"> <thead> <tr> <th>Position "A"</th> <th>Position "C"</th> </tr> </thead> <tbody> <tr><td>ZZ. No Legend</td><td>ZZ. No Legend</td></tr> </tbody> </table> <p>NOTE: For all other legend options, refer to the legend table in the appendix, find the two digit code and enter the code in the appropriate position(s).</p>		Position "A"	Position "C"	ZZ. No Legend	ZZ. No Legend	<table border="0"> <thead> <tr> <th>Position "A"</th> <th>Position "C"</th> </tr> </thead> <tbody> <tr><td>1. Red</td><td>1. Red</td></tr> <tr><td>2. Black</td><td>2. Black</td></tr> <tr><td>9. White</td><td>9. White</td></tr> <tr><td>B. Backlight/Daylight White ④</td><td>B. Backlight/Daylight White ④</td></tr> <tr><td>D. Backlight/Deadfront ④</td><td>D. Backlight/Deadfront ④</td></tr> <tr><td>Z. No Legend</td><td>Z. No Legend</td></tr> </tbody> </table> <p>④ For legend color "B" and "D", please use button color "A" & "B" and lens color "Z" for each position.</p>		Position "A"	Position "C"	1. Red	1. Red	2. Black	2. Black	9. White	9. White	B. Backlight/Daylight White ④	B. Backlight/Daylight White ④	D. Backlight/Deadfront ④	D. Backlight/Deadfront ④	Z. No Legend	Z. No Legend	<table border="0"> <thead> <tr> <th>Position "A"</th> <th>Position "C"</th> </tr> </thead> <tbody> <tr><td>1. Std.</td><td>A C</td></tr> <tr><td>2. 90°</td><td>V C</td></tr> <tr><td>3. 180°</td><td>V C</td></tr> <tr><td>4. 270°</td><td>A C</td></tr> </tbody> </table>	Position "A"	Position "C"	1. Std.	A C	2. 90°	V C	3. 180°	V C	4. 270°	A C
Position "A"	Position "C"																																															
1. Transparent Red	1. Transparent Red																																															
2. Transparent Green	2. Transparent Green																																															
3. Transparent Amber ①	3. Transparent Amber ①																																															
4. Clear ①	4. Clear ①																																															
5. Translucent White ②	5. Translucent White ②																																															
Z. No Lens ③	Z. No Lens ③																																															
Position "A"	Position "C"																																															
ZZ. No Legend	ZZ. No Legend																																															
Position "A"	Position "C"																																															
1. Red	1. Red																																															
2. Black	2. Black																																															
9. White	9. White																																															
B. Backlight/Daylight White ④	B. Backlight/Daylight White ④																																															
D. Backlight/Deadfront ④	D. Backlight/Deadfront ④																																															
Z. No Legend	Z. No Legend																																															
Position "A"	Position "C"																																															
1. Std.	A C																																															
2. 90°	V C																																															
3. 180°	V C																																															
4. 270°	A C																																															

STOP HERE for lighted switches without legends.

Example: K3AAIFNH-44

STOP HERE for unlighted switches without legends.

Example: K3AAIFAA



K3 Connector
P/N C801775-2A Without Latches
P/N C801775-2B With Latches

Panel Seal Gasket
P/N C807037-25
Order separately for use with switches without drain holes.

Panel Plug
See Panel Plug (PP) page.

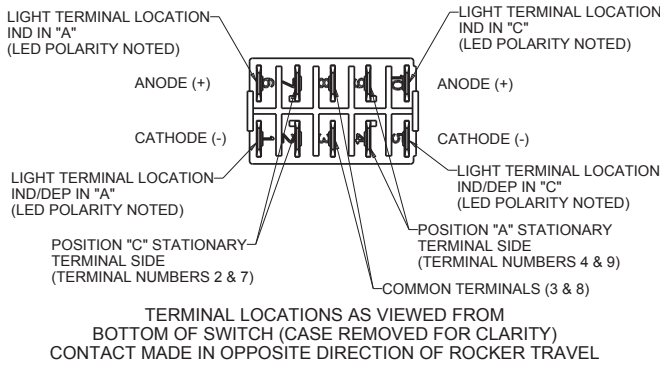
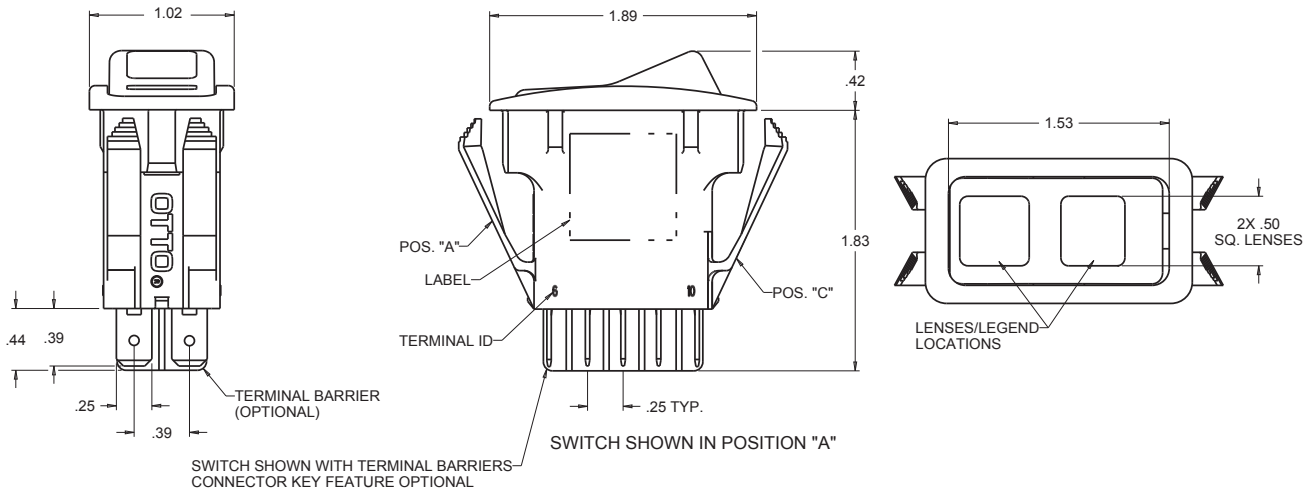
• K3 panel plugs available as shown in Panel Plugs (PP) section.

Recommended Quick Connect Terminals:
AMP 60253-2 for 12-16 AWG
AMP 42100-2 for 14-18 AWG

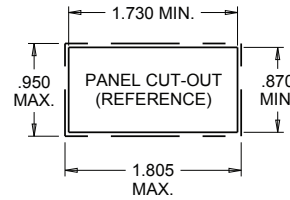
SEALED, ILLUMINATED ROCKER SWITCHES

K3
SEALED
ROCKERS

SNAP-IN PANEL MOUNTING, ATTRACTIVE & RUGGED FOR WET & DUSTY ENVIRONMENTS



MOUNTING OPENING:
 PANEL THICKNESS RANGE OF .025 - .105 A GASKET IS RECOMMENDED
 PANEL THICKNESS RANGE OF .105 - .187 W/O GASKET
 PANEL OPENING: MIN. TYP. MAX.
 WIDTH .870 .937 .950
 LENGTH 1.730 1.768 1.805



<p>K3..1M... POS "A" POS "B" POS "C"</p> <p>SPECIAL CIRCUIT - ON-ON-ON SCHEMATIC</p>	<p>K3..2A... DPST-ON-NONE-OFF SCHEMATIC</p>	<p>K3..2B... DPDT-ON-NONE-ON SCHEMATIC</p>	<p>K3..2C... DPST-(ON)-NONE-OFF SCHEMATIC</p>	<p>K3..2D... DPDT-(ON)-NONE-ON SCHEMATIC</p>	
<p>GENERAL SCHEMATIC INFORMATION</p> <ul style="list-style-type: none"> ○ INDICATES MAINTAIN ACTION (FIXED POSITION) ▼ INDICATES MOMENTARY ACTION (AUTOMATIC RETURN POSITION) <p>FOR OTHER LIGHTING SCHEMATICS REPLACE FOLLOWING SYMBOLS:</p> <ul style="list-style-type: none"> Ⓜ INCANDESCENT (REPLACE RESISTOR & LED) Ⓝ NEON (REPLACE LED) 	<p>K3..2E... DPDT-(ON)-OFF-(ON) SCHEMATIC</p>	<p>K3..2F... DPDT-ON-OFF-ON SCHEMATIC</p>	<p>K3..2G... DPDT-(ON)-OFF-ON SCHEMATIC</p>	<p>K3..2BNB-Z DPDT-ON-NONE-ON SCHEMATIC W/DEPENDENT LED IN "A"</p>	<p>K3..2BNC-Z DPDT-ON-NONE-ON SCHEMATIC W/DEPENDENT LED IN "C"</p>
<p>K3..2BND-Z DPDT-ON-NONE-ON SCHEMATIC W/INDEPENDENT LED IN "A"</p>	<p>K3..2BNE-Z DPDT-ON-NONE-ON SCHEMATIC W/INDEPENDENT LED IN "C"</p>	<p>K3..2BNF... DPDT-ON-NONE-ON SCHEMATIC W/DEPENDENT LED IN "A" & "C"</p>	<p>K3..2BNG... DPDT-ON-NONE-ON SCHEMATIC W/DEPENDENT LED IN "A" & INDEPENDENT LED IN "C"</p>	<p>K3..2BNH... DPDT-ON-NONE-ON SCHEMATIC W/INDEPENDENT LED IN "A" & DEPENDENT LED IN "C"</p>	<p>K3..2BNJ... DPDT-ON-NONE-ON SCHEMATIC W/INDEPENDENT LED IN "A" & "C"</p>