

ALTERNATE ACTION DOME PUSHBUTTONS

ATTRACTIVE & RUGGED FOR WET & DUSTY ENVIRONMENTS

The rugged P5-D switch is an alternate action "push on, push off" pushbutton switch with contoured dome styling. With two design versions, a flush dome and raised dome button profile, the P5-D offers excellent mechanical and electrical performance while operating under severe conditions found in demanding applications.

The P5-D features unsealed, dusttight, moistureproof and watertight seal options. A mechanical life of one million cycles, 25,000 cycles at full load.

The P5-D is a quality precision, snap-action switch designed for use in panels, instruments and other demanding applications where attractive, rugged pushbutton switches are required.

Features:

- 2 contoured button styles
- Button sealed with patented "rolling sleeve" principle
- Contact area sealed at case & terminals
- Handles logic level up to 5 amps
- Moistureproof & dusttight to IP64 & MIL-PRF-8805 Symbol 2, Symbol 3 or watertight to IP68S
- Unsealed construction also available
- RoHS compliant

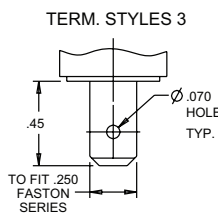
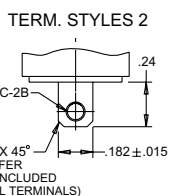
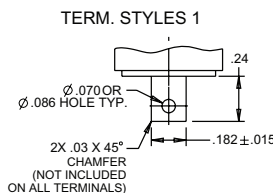
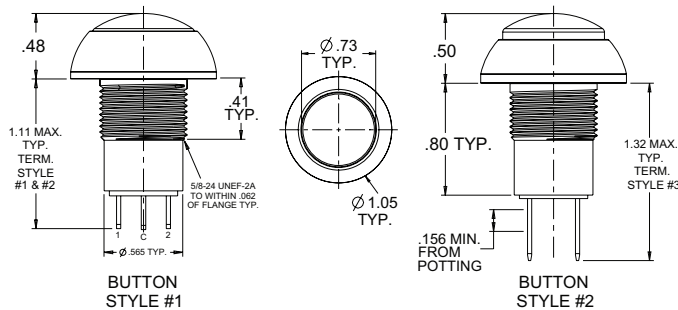
"Push On, Push Off" action



Flush Dome Button,
Also available with
Raised Dome



Standard Characteristics/Ratings:			
ELECTRICAL RATINGS:			
Load	Sea Level @ 28VDC or 115VAC		
Resistive	5A		
Inductive	3A		
Lamp	1A		
Motor	3A		
DWV	1000Vrms		
Logic Level	10mA @ 5VDC		
Electrical Life:	25,000 cycles at full load		
Mechanical Life:	1,000,000 cycles		
Seal:	Military	Commercial	
	Unsealed	Symbol 1	Unsealed
	Dusttight	Symbol 2	IP64
	Watertight	Symbol 3	IP68S
Operating Temp Range:	-40°C to +85°C		
Operating Force:	3.0 lbs. +1/-0.5 lb.		
Total Travel:	0.180 inches max		
Overtravel:	0.012 inches min		
MATERIALS:			
Case:	Anodized aluminum alloy		
Button:	Thermoplastic		
Terminals:	Brass with gold over silver		
Terminal Hardware:	Screws, lockwashers and terminal lugs for screw terminal option		
Mounting Hardware:	Hex nut, lockwasher		



P5-D PART NUMBER CODE

P5-D	X	X	X	X	X	X
Button Style	Terminal Style/Rating	Circuits/Contacts/Grade	Seal Level	Case Color	Button Color	
1. Flush 2. Raised	1. Solder 2. Screw ① 3. 0.250" Quick Connect ①	1. SPST/Silver/Commercial 2. SPST/Gold/Commercial 3. SPDT/Silver/Commercial 4. SPDT/Gold/Commercial 5. SPST/Silver/Military Grade 6. SPST/Gold/Military Grade 7. SPDT/Silver/Military Grade 8. SPDT/Gold/Military Grade	1. Unsealed 2. Dusttight 3. Watertight	1. Clear 2. Black	1. Red 2. Black 3. Orange 4. Yellow 5. Green 6. Blue 7. Purple 8. Gray 9. White	

① Available on SPST circuit forms only.

Ihr offizieller Vertriebspartner

ALDERS electronic GmbH
Arnoldstraße 19
47906 Kempen
+49 2152 8955-0
vertrieb@alders.de / www.alders.de