

# ALTERNATE ACTION DOME PUSHBUTTONS

ATTRACTIVE & RUGGED FOR WET & DUSTY ENVIRONMENTS

The rugged P5-D switch is an alternate action "push on, push off" pushbutton switch with contoured dome styling. With two design versions, a flush dome and raised dome button profile, the P5-D offers excellent mechanical and electrical performance while operating under severe conditions found in demanding applications.

The P5-D features unsealed, dusttight, moistureproof and watertight seal options. A mechanical life of one million cycles, 25,000 cycles at full load.

The P5-D is a quality precision, snap-action switch designed for use in panels, instruments and other demanding applications where attractive, rugged pushbutton switches are required.

"Push On, Push Off" action

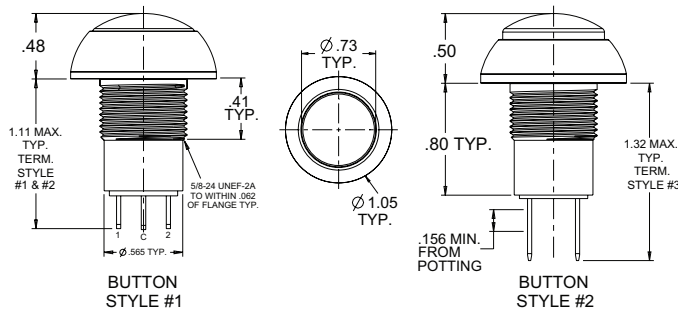


Flush Dome Button,  
Also available with  
Raised Dome

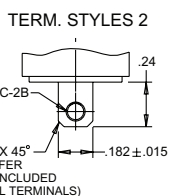
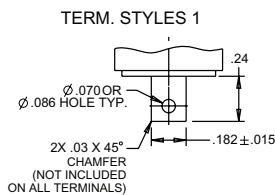


## Features:

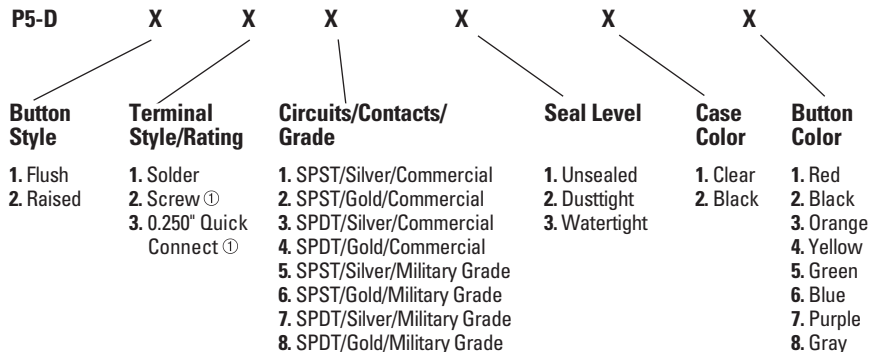
- 2 contoured button styles
- Button sealed with patented "rolling sleeve" principle
- Contact area sealed at case & terminals
- Handles logic level up to 5 amps
- Moistureproof & dusttight to IP64 & MIL-PRF-8805 Symbol 2, Symbol 3 or watertight to IP68S
- Unsealed construction also available
- RoHS compliant



Standard Characteristics/Ratings:			
<b>ELECTRICAL RATINGS:</b>			
<b>Load</b>	Sea Level @ 28VDC or 115VAC		
Resistive	5A		
Inductive	3A		
Lamp	1A		
Motor	3A		
DWV	1000Vrms		
Logic Level	10mA @ 5VDC		
<b>Electrical Life:</b>	25,000 cycles at full load		
<b>Mechanical Life:</b>	1,000,000 cycles		
<b>Seal:</b>	<b>Military</b>	<b>Commercial</b>	
	Unsealed	Symbol 1	Unsealed
	Dusttight	Symbol 2	IP64
	Watertight	Symbol 3	IP68S
<b>Operating Temp Range:</b>	-40°C to +85°C		
<b>Operating Force:</b>	3.0 lbs. +/-0.5 lb.		
<b>Total Travel:</b>	0.180 inches max		
<b>Overtravel:</b>	0.012 inches min		
<b>MATERIALS:</b>			
<b>Case:</b>	Anodized aluminum alloy		
<b>Button:</b>	Thermoplastic		
<b>Terminals:</b>	Brass with gold over silver		
<b>Terminal Hardware:</b>	Screws, lockwashers and terminal lugs for screw terminal option		
<b>Mounting Hardware:</b>	Hex nut, lockwasher		



## P5-D PART NUMBER CODE



① Available on SPST circuit forms only.

Votre distributeur officiel

**ALDERS**  
Indicate. Control. Connect.

ALDERS electronic GmbH  
Arnoldstraße 19  
47906 Kempen - Allemagne  
+33 3 88064677  
+33 6 33389393  
catherine.sturm@alders.fr / www.alders.fr