

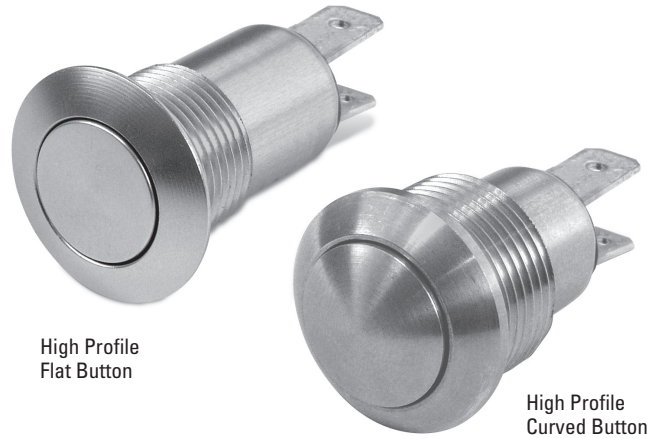
ALTERNATE ACTION, SEALED AGAINST DUST & MOISTURE

The P5-V switch gives you all the functionality of the P5 Alternate Action switch with the added benefit of an aluminum security level case and button or a stainless steel vandal resistant case and button.

Push and the P5-V switch turns "on." Push again and the switch turns "off." Positive tactile feedback is featured so the operator is clearly aware the switch has been actuated. The button returns to the original position after each actuation.

To guard against front panel splash and dirt the P5-V is sealed at the button with OTTO's patented "rolling sleeve" design. The terminals are sealed with epoxy, providing a seal against flux during wiring and behind panel dirt and moisture. The combination of sealing provides smooth operation over a wide temperature range. Watertight sealing to IP68S and IP69K is also available.

We are able to provide custom button engraving with epoxy ink backfill and other special characters, shrouded buttons, contact configurations and materials to suit your application requirements.



Features:

- Security (aluminum) or vandal resistant (stainless steel) case & button
- Button sealed with patented "rolling sleeve" design
- Contact area sealed at case & terminals
- Watertight to IP68S and IP69K or dusttight & moistureproof to IP64
- Handles logic level up to 5 amps
- 1 million mechanical cycle life
- RoHS compliant

Standard Characteristics/Ratings:

ELECTRICAL RATINGS:

Load	Sea Level @ 28VDC or 115VAC
Resistive	5A
Inductive	3A
Lamp	1A
Motor	3A
DWV	1000Vrms
Logic Level	10mA @ 5VDC

Electrical Life:	25,000 cycles (1,000,000 logic level)
Mechanical Life:	1,000,000 cycles
Seal:	IP64 or IP68S and IP69K
Operating Temp Range:	-40°C to +85°C
Operating Force:	3.0 lbs. +1/-0.5 lb.
Total Travel:	0.180 inches max
Overtravel:	0.012 inches min

MATERIALS:

Case:	Anodized aluminum alloy or stainless steel (303)
Button:	Anodized aluminum alloy or stainless steel (303)
Terminals:	Brass with gold over silver
Terminal Hardware:	Screw, lockwasher and terminal lug when applicable
Mounting Hardware:	Hex nut, lockwasher and panel seal when applicable

Votre distributeur officiel



ALDERS[®]
Indicate. Control. Connect.

ALDERS electronic GmbH
Arnoldstraße 19
47906 Kempen - Allemagne

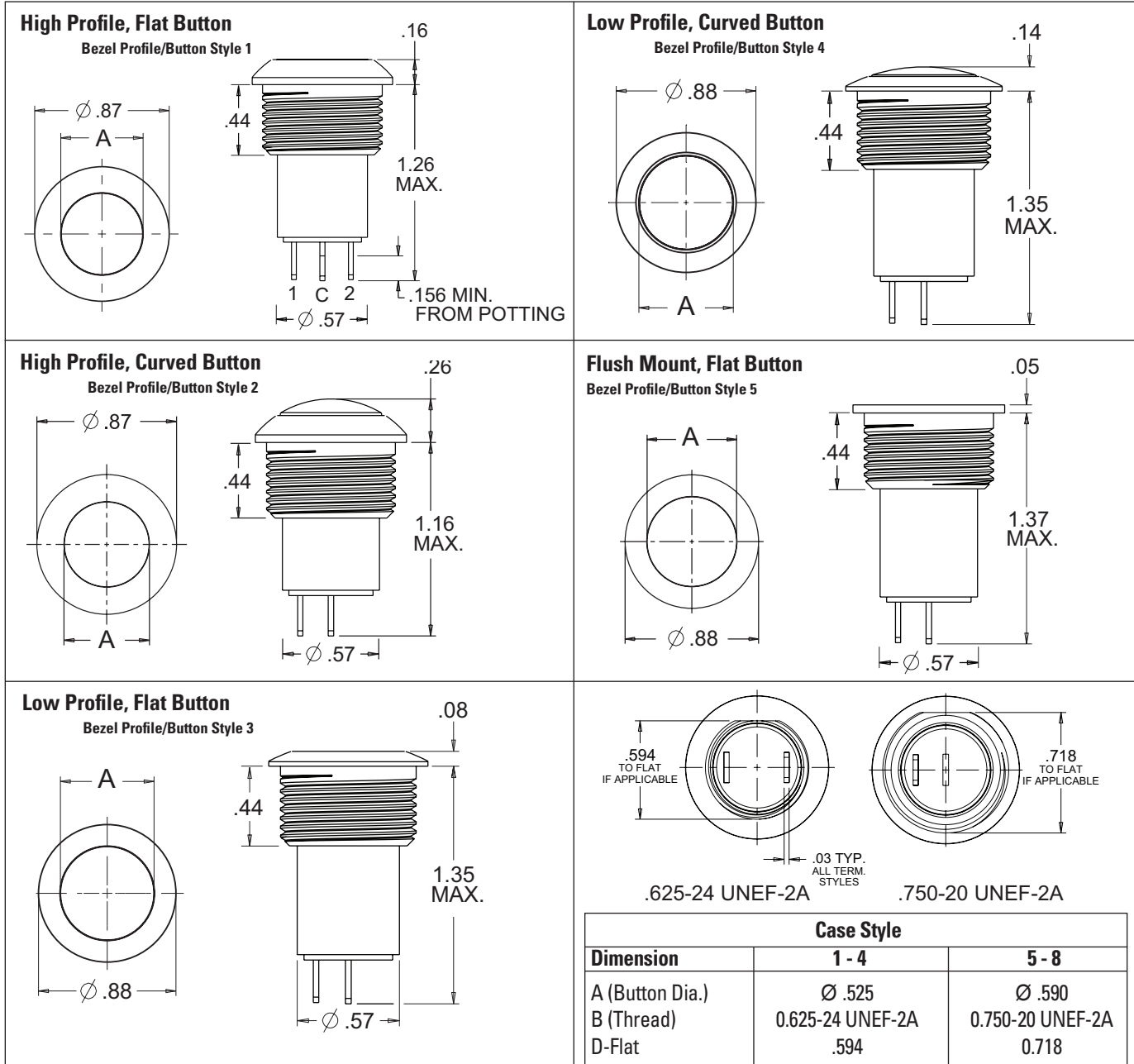
+33 3 88064677
+33 6 33389393

catherine.sturm@alders.fr / www.alders.fr

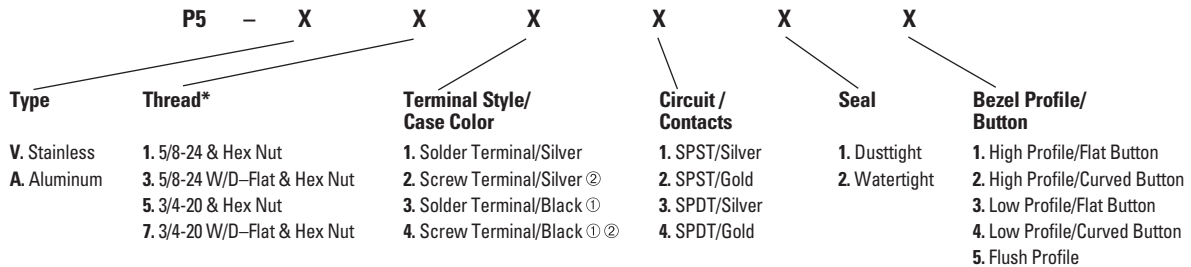
VANDAL RESISTANT PUSHBUTTONS

P5-V
VANDAL
RESISTANT
PUSHBUTTONS

SEALED AGAINST DUST & MOISTURE



P5-V PART NUMBER CODE



* For Knurl Nut Thread options, contact factory.
 ① Only Available on P5-A Styles.
 ② Screw terminals available on SPST circuits only.