

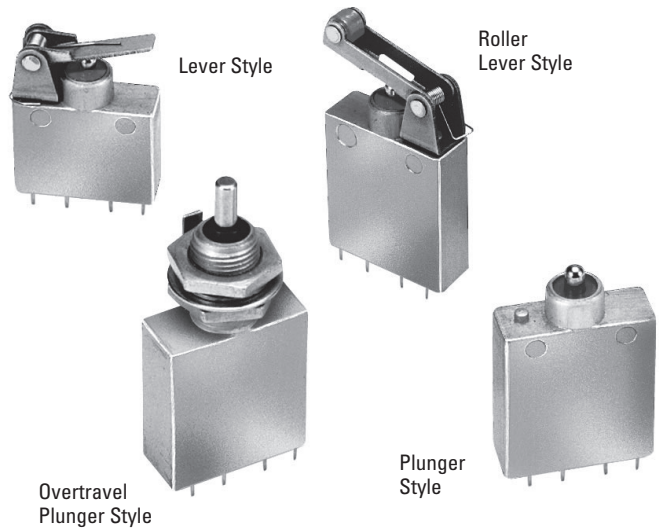
FEATURING OTTO B5 SERIES BASIC SWITCHES

These subminiature sealed switches are contained in a rugged aluminum housing with choice of lever, roller or plunger. Featuring the B5 series basic switch, the P6-3 series is able to switch up to 10 amps. The high contact pressure and superior wiping action of the OTTO design also makes the P6-3 series an excellent choice when switching logic level loads.

Sealing against water and other liquids is per MIL-PRF-8805. Wire leaded models feature potted leads. The solder terminals are epoxy sealed.

Features:

- Compact design
- Watertight to MIL-PRF-8805
- Choice of four actuator styles
- Choice of wire lead or solder termination styles
- Up to 10 amps switching capability
- High contact pressure
- Precision operating points



Ihr offizieller Vertriebspartner
ALDERS electronic GmbH
 Arnoldstraße 19
 47906 Kempen · Germany
 +49 2152 8955-0
 vertrieb@alders.de

Standard Characteristics/Ratings:								
ELECTRICAL RATINGS:	Sea Level @ 28VDC				50,000 feet @ 28VDC			
	Single Circuit N.O. or N.C.	2 Circuit Per Pole	Single Circuit N.O. or N.C.	2 Circuit Per Pole	Single Circuit N.O. or N.C.	2 Circuit Per Pole	Single Circuit N.O. or N.C.	2 Circuit Per Pole
Resistive	10A	10A	10A	10A	10A	10A	10A	10A
Inductive	7.5A	5A	3.5A	2A	3.5A	2A	3.5A	2A
Motor	4A	2A	N/A	N/A	N/A	N/A	N/A	N/A
DWV	1000Vrms				500Vrms			
Electrical Life:	50,000 cycles							
Mechanical Life:	50,000 cycles							
OPERATIONAL:	P6-31	P6-32	P6-33	P6-34	P6-35	P6-36	P6-37	P6-38
Operating Force:	16 oz max	40 oz max	20 oz max	40 oz max	32 oz max	40 - 60 oz max	20 oz max	48 oz max
Release Force:	4 oz min	8 oz min	4 oz min	8 oz min	4 oz min	24 oz min	4 oz min	8 oz min
Movement Differential:	0.060" max	0.020"±0.010" max	0.060" max	0.020"±0.010" max	0.080" max	0.010" - 0.035" max	0.080" max	0.040" max
Pretravel:	0.125" max	0.050" max	0.125" max	0.070" max	0.125" max	0.050" max	0.125" max	0.070" max
Overtravel:	0.025" min	0.012" min	0.025" min	0.187" min	0.025" min	0.012" min	0.025" min	0.187" min
Strength of Actuator:	10.0 lbs.	25.0 lbs.	10.0 lbs.	25.0 lbs.	10.0 lbs.	25.0 lbs.	10.0 lbs.	25.0 lbs.
Temperature Range:	-55°C to +85°C							
Seal:	Enclosure Design 3, watertight per MIL-PRF-8805							
MATERIALS:								
Plunger:	Corrosion resistant steel							
Lever:	Corrosion resistant steel (where applicable)							
Mounting Hardware:	None provided except Actuator Style options 4 and 8 include hex nut, lockwasher and keyway washer							

SUBMINIATURE WATERTIGHT SEALED

P6-3
LIMIT SWITCHES

FEATURING OTTO B5 SERIES BASIC SWITCHES

P6-3 PART NUMBER CODE

Single Pole

	P6-3	X	X	X	X	X	
Actuator Style	Terminal Style	Circuitry			Mounting Holes (See drawing below.)		Serial Digit
1. Lever	1. Solder Terminals	1. SPNO-DB, Form X	1. No Holes		1. 0 Except for		Specials
2. Plunger	3. 1' Potted Leads	2. SPNC-DB, Form Y	2. 1/2" Centers for #4-40 Screws				
3. Roller Lever	4. 3' Potted Leads	3. SPDT-SB, Form C	4. 3/8" Centers for #2-56 Screws				
4. Overtravel Plunger*	5. 6' Potted Leads	4. SPDT-DB, Form Z					

* No mounting holes are offered in models with threaded bushing

STYLE P6-31

STYLE P6-32

STYLE P6-33

STYLE P6-34 *

*SWITCH WIDTH IS .39

SOLDER TERMINAL (TERM. STYLE 1 EXAMPLE)

POTTED WIRE LEADS (TERM. STYLES 3, 4 & 5 EXAMPLE)

CIRCUIT SCHEMATIC

<p>SPNO - DB (FORM X)</p>	<p>SPNC - DB (FORM Y)</p>
<p>SPDT (FORM C)</p>	<p>SPDT - DB (FORM Z)</p>

POTTED WIRE LEADS		MOUNTING HOLES:	
STYLE	DIM "A"	CODE 2 FOR 4-40 SCREWS	CODE 4 FOR 2-56 SCREWS
3	12"	.500	Ø.112 ± .003
4	36"	.375	Ø.089 ± .003
5	72"		

FEATURING OTTO B5 SERIES BASIC SWITCHES

P6-3 PART NUMBER CODE

Double Pole

P6-3 X X X X X X

Actuator Style

- 5. Lever
- 6. Plunger
- 7. Roller Lever
- 8. Overtravel Plunger*

Terminal Style

- 1. Solder Terminals
- 2. Taper Tab, Quick Disconnect
- 3. 1' Potted Leads
- 4. 3' Potted Leads
- 5. 6' Potted Leads

Circuitry

- 1. DPNO-DB, Form XX
- 2. DPNC-DB, Form YY
- 3. DPDT, Form CC
- 4. DPDT-DB, Form ZZ

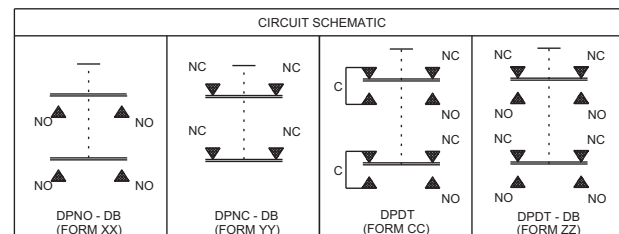
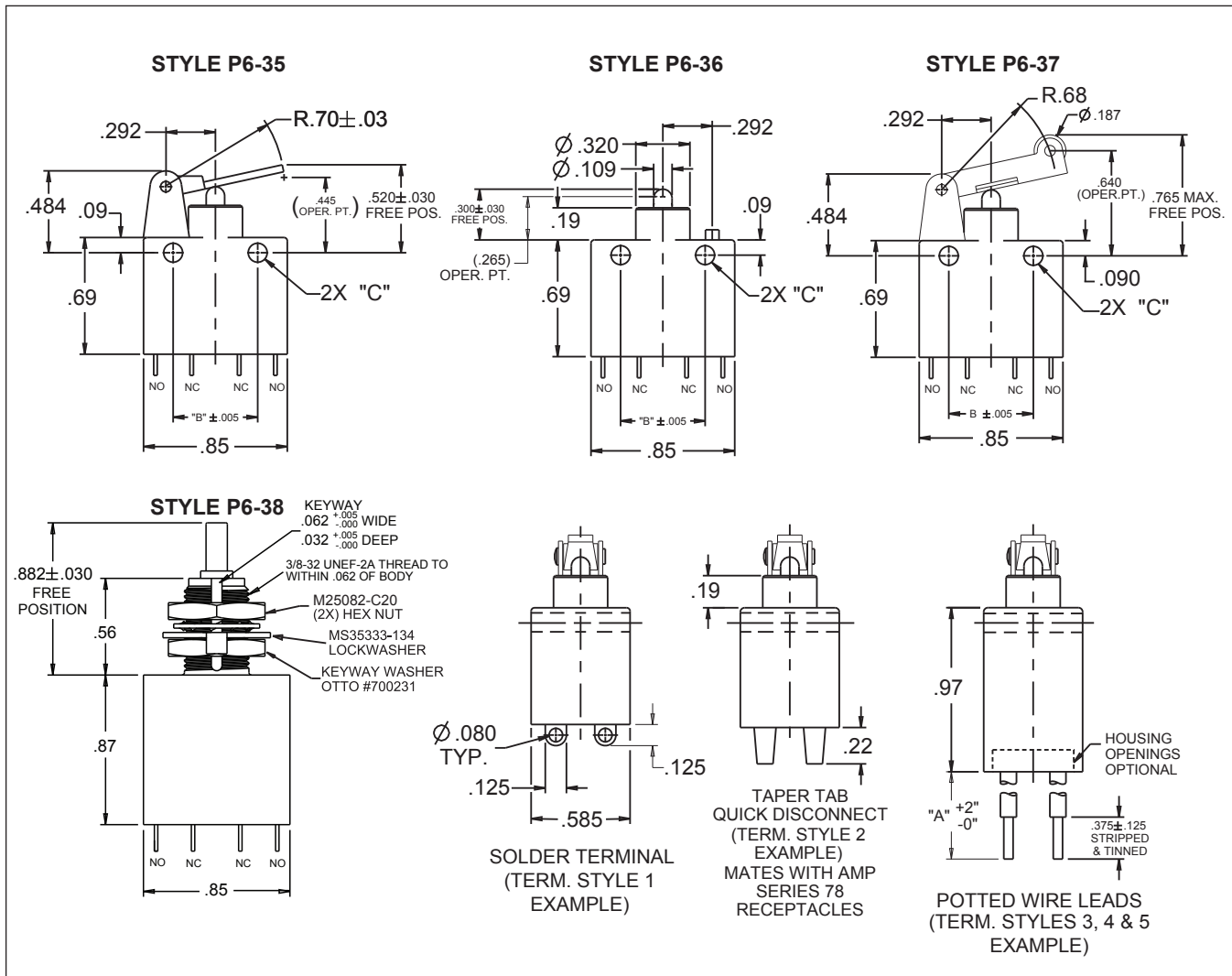
Mounting Holes (See drawing below.)

- 1. No Holes
- 2. 1/2" Centers for #4-40 Screws
- 4. 3/8" Centers for #2-56 Screws

Serial Digit

- 0. 0 Except for Specials

* No mounting holes are offered in models with threaded bushing



POTTED WIRE LEADS		DIM "B" CNTRS.	DIM "C" DIA.
STYLE	DIM "A"		
3	12"	.500	Ø.112 ± .003
4	36"		
5	72"		

MOUNTING HOLES:		DIM "B" CNTRS.	DIM "C" DIA.
CODE 2 FOR 4-40 SCREWS		.500	Ø.112 ± .003
CODE 4 FOR 2-56 SCREWS		.375	Ø.089 ± .003