

HIGH PERFORMANCE, HEAVY EQUIPMENT AND MATERIAL HANDLING GRIPS

G3-C & G3-CK UNIVERSAL GRIPS

Z-axis rotation, trigger switches, grip touch switch, side keypads, and faceplate keypads are the exciting features of OTTO's ergonomically designed and customizable G3-C Universal Grip. Its high switch content capability increases the level of functionality, benefiting anyone who requires versatility in a grip.

The grip touch switch uses a sensor to detect the presence of the operator's hand on the grip. The new trigger switch selections for the back of the grip include single trigger, dual momentary trigger and dual maintained trigger. Keypads are available on both the faceplate, with up to 8 switches, and on either side of the grip as a side keypad, with up to 10 switches on each side (G3-CK). Backlighting is also an option. The z-axis feature allows for a +/- 25° horizontal rotation of the grip.*

With numerous faceplate selections, the G3-C can be customized from applications requiring basic control functions to those requiring high switch content. The G3-C can be panel mounted as a fixed control grip or it can be mounted on an OTTO JH, JHL and JHM joystick with or without z-axis.

The G3-C is designed for use with OTTO's pushbuttons, rockers, toggles and Hall effect switches, and can handle many types of high-performance industrial vehicle and machinery applications.

Features:

- Z-axis option with +/- 25° rotation*
- The grip can be used with either the left or right hand
- Numerous standard faceplate designs incorporating up to 8 control switches (G3-C) or an 8-button keypad (G3-CK)
- 10-button side keypad option (G3-CK)
- Grip touch switch option
- Switch selections for the back of the grip handle include pushbutton, thumbwheel or trigger switches
- Various mounting & termination styles available
- Includes mounting adapter with boot ring

Benefits:

- Modular design provides high level of customization and reduces the need for tooling charges
- Compatible with the OTTO JH, JHL and JHM series Hall effect Joysticks
- Accommodates a full line of OTTO pushbutton, rocker, toggle, and Hall effect switches

* Z-axis available with grip mounted on an OTTO Joystick



G3-C with CC Faceplate



G3-CK with 8-Button Faceplate Keypad



G3-CK with Backlighting 8-Button Faceplate and a 10-Button Side Keypad



G3-C with Custom Faceplate Configuration



G3-C with Dual Direction Trigger on Back



G3-C with Pushbutton on Side and Back

HIGH PERFORMANCE, HEAVY EQUIPMENT AND MATERIAL HANDLING GRIPS

G3-C & G3-CK UNIVERSAL GRIPS

Standard Characteristics/Ratings:					
ELECTRICAL RATINGS:					
K1 Switches					
Electrical Rating @ 28 VDC	16 AMP Resistive Load; 7 AMP Inductive Load				
Electrical Life	25,000 Cycles at Full Load				
Keypads					
Circuit Configuration	SPST N.O.				
Voltage	1-32 VDC				
Current	10-100mA Resistive				
P9 Switches, Single and Dual Trigger					
Electrical Rating @ 28 VDC	5 AMP Resistive Load; 3 AMP Inductive Load		10mA Resistive Load @ 5VDC		
Electrical Life	25,000 Cycles at Full Load		1,250,000 Cycles		
HTWM Switches					
Rated at Vcc = 5V @ 25°C; Load = 1ma (4-7KΩ)					
Supply Voltage	Units	Min	Typ	Max	
Output Voltage - Return to Center Tolerance at Center	VDC @ 5V Vcc	-15	N/A	+15	
Output Voltage - Return to End Tolerance at Rest	VDC @ 5V Vcc	-25	N/A	+25	
Output Voltage Tolerance Full Travel	VDC @ 5V Vcc	-25	N/A	+25	
Supply Current B=0, Vcc=5V, Iout=0	mA	N/A	N/A	10	
HTWS Switches					
Rated at Vcc = 5V @ 25°C; Load = 1ma (4-7KΩ)					
Supply Voltage	Units	Min	Typ	Max	
Output Voltage Tolerance at Center	VDC @ 5V Vcc	-25	N/A	+25	
Output Voltage Tolerance Full Travel	VDC @ 5V Vcc	-25	N/A	+25	
Supply Current B=0, Vcc=5V, Iout=0	mA	N/A	N/A	20	
HRTL4 Switches					
Rated at Vcc = 5V @ 25°C; Load = 1ma (4-7KΩ)					
Supply Voltage	Units	Min	Typ	Max	
Output Voltage Tolerance at Center	VDC @ 5V Vcc	-25	N/A	+25	
Output Voltage Tolerance Full Travel	VDC @ 5V Vcc	-25	N/A	+25	
Supply Current B=0, Vcc=5V, Iout=0	mA	N/A	10	12	
TC-5 Switches					
Electrical Rating @ 1-32 VDC	10-100mA				
Electrical Life	3,000,000 Cycles				
Grip Touch Switch					
Rated at Vcc = 5V @ 25°C; Load = 1ma (4-7KΩ)					
Supply Voltage	Units	Min	Typ	Max	
Output (Active Low)	VDC	N/A	N/A	0.60	
Output Current (Sink)	mA	N/A	N/A	10	

Standard Characteristics/Ratings (continued):					
MECHANICAL RATINGS					
K1 Switches					
Mechanical Life	100,000 Cycles				
Keypads					
Mechanical Life	3,000,000 Cycles				
P9 Switches, Single and Dual Trigger					
Mechanical Life	1,250,000 Cycles				
HTWM Switches					
Mechanical Life (Full Forward to Full Back)	3,000,000 Cycles (Return to Center) 1,000,000 Cycles (Return to End)				
HTWS Switches					
Mechanical Life (Full Forward to Full Back)	3,000,000 Cycles				
HRTL4 Switches					
Mechanical Life	3,000,000 Cycles				
TC-5 Switches					
Mechanical Life	3,000,000 Cycles				
ENVIRONMENTAL:					
Operating Temperature:	Units	Min	Typ	Max	
	°C	-40*	20	85	
K1 Switches					
Switch Seal Integrity	Watertight per IP68S and IP69K				
Keypads					
Switch Seal Integrity	Watertight per IP68S and IP69K				
P9 Switches, Single and Dual Trigger					
Switch Seal Integrity	Watertight per IP68S and IP69K				
HTWM Switches					
Electronics Seal Integrity	Watertight per IP68S and IP69K				
HTWS Switches					
Electronics Seal Integrity	Watertight per IP68S and IP69K				
HRTL4 Switches					
Electronics Seal Integrity	Watertight per IP68S and IP69K				
TC-5 Switches					
Electronics Seal Integrity	Watertight per IP68S and IP69K				
Grip					
Seal Integrity	Unsealed				
MATERIALS:					
Handle	Thermoplastic, Glass Reinforced, Black				
Faceplate	Thermoplastic, Glass Reinforced, Black				
Keypads	Silicone Rubber, Black				
Keypads, Lighted	Silicone Rubber, Black with White Graphic				
Wires	22 AWG				
Side Keypad Wires	24 AWG				
Wire Length	40 +/- 3 inches				

* The min. temperature is -30°C when using a K1 switch.

WARNING; Do not use the grip touch switch as a safety or emergency stop device or in any application where failure of the product could result in personal injury. Failure to comply with these instructions could result in death or serious injury. OTTO Engineering Inc. makes no warranty, representation, or guarantee regarding the information contained herein or the suitability of its products and services for any particular purpose, nor does OTTO Engineering Inc. assume any liability whatsoever arising out of the application or use of any product. The product sold hereunder by OTTO has been subject to limited testing and should not be used in conjunction with detection of the presence of an operator on or with any equipment that is in any way safety related. OTTO does not accept any liability for incidental, consequential damages, personal injury or loss of life for any claims against the use of this product.

HIGH PERFORMANCE, HEAVY EQUIPMENT AND MATERIAL HANDLING GRIPS

G3-CK UNIVERSAL GRIP PART NUMBER CODE

G3-CK	X	X	X	X	X	X
Configuration	Faceplate Keypad Configuration	Side Keypad Configuration	Back Lighting	Trigger Option	P9 In Head (Black)	
1. Grip with Adapter	4. 4 Buttons	1. None	N. None	1. None	1. None	
2. Grip without Adapter	6. 6 Buttons	L. Left Hand	L. Lighted Faceplate Keypad & Side Keypad	2. One Pushbutton – Black	2. Left Hand	
3. Grip Touch Switch Only*	8. 8 Buttons	R. Right Hand	F. Lighted Faceplate Keypad Only	3. One Pushbutton – Red	3. Right Hand	
4. Adapter & Grip Touch Switch*			S. Lighted Side Keypad Only	4. Single	4. Both	
				5. Dual Momentary*		
				6. Dual Maintained*		
				7. Two Pushbuttons – Black		
				8. Two Pushbuttons – Red		
				9. HTWS		

* Grip Touch Switch not available with Trigger Option 5 or 6.
Grip Touch Switch tested per 560640.

Positive travel is up or to the right. Contact factory for additional options.

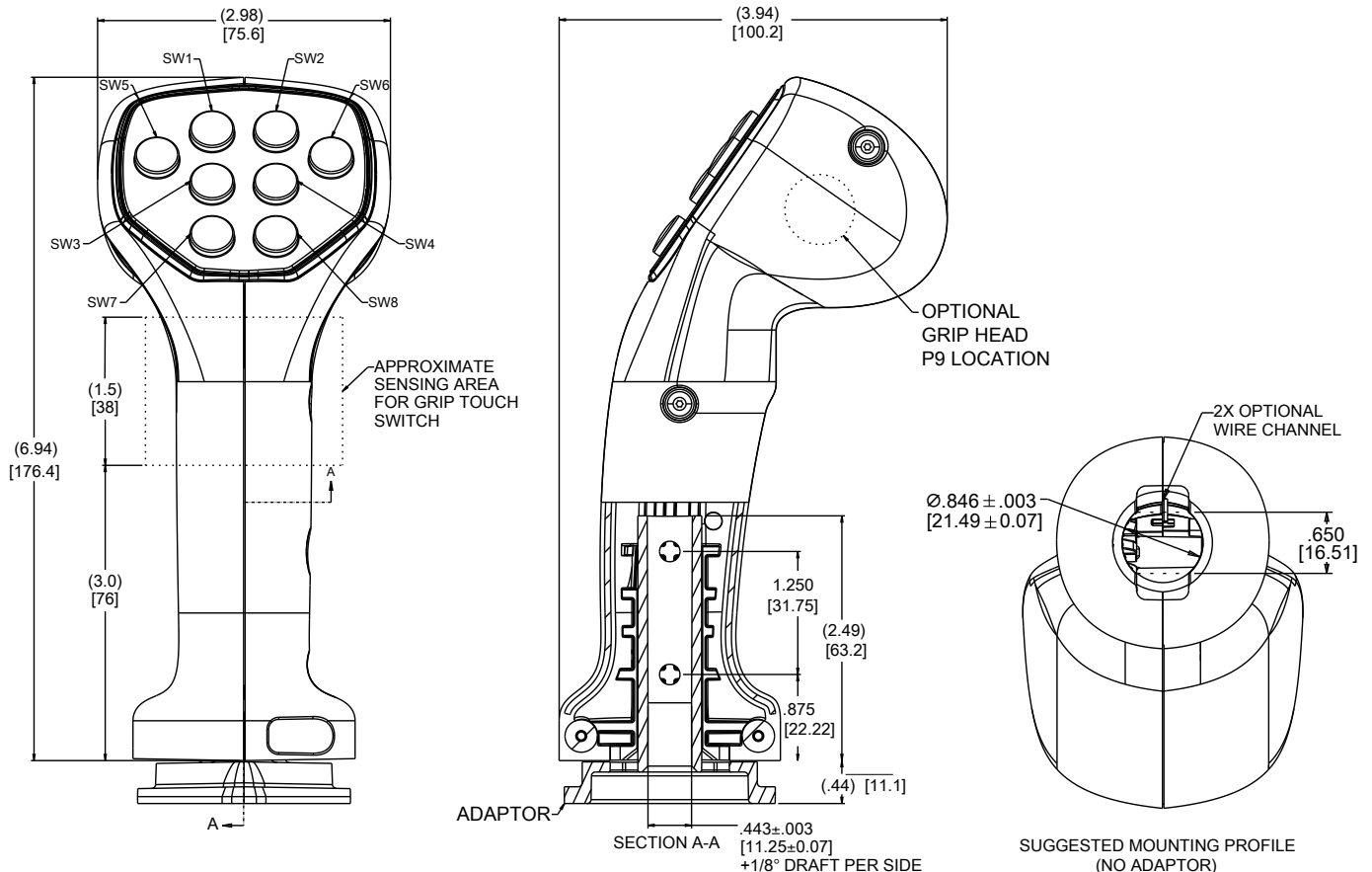
Votre distributeur officiel



ALDERS
Indicate. Control. Connect.

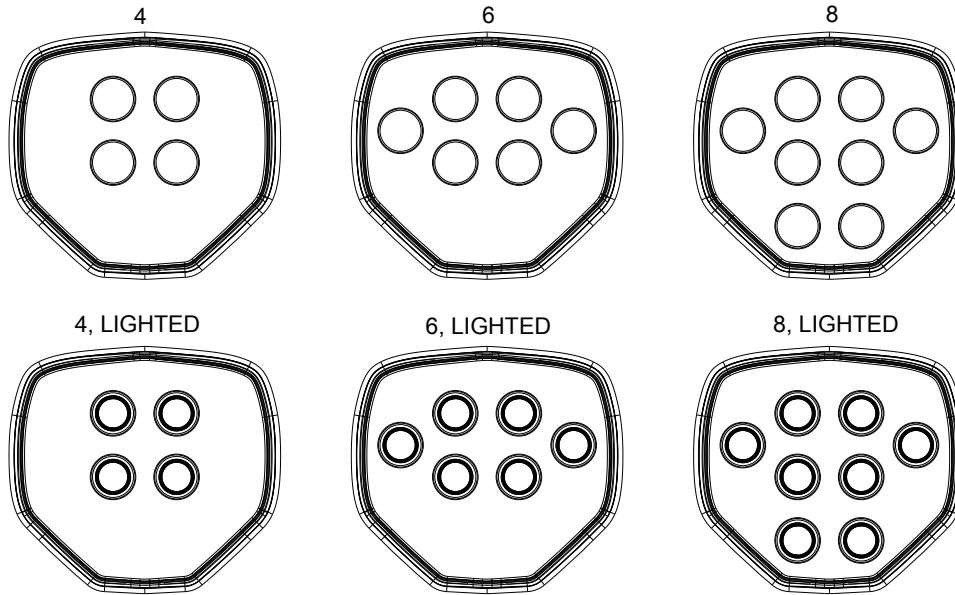
ALDERS electronic GmbH
Arnoldstraße 19
47906 Kempen - Allemagne
+33 3 88064677
+33 6 33389393
catherine.sturm@alders.fr / www.alders.fr

G3-CK UNIVERSAL GRIP DRAWINGS

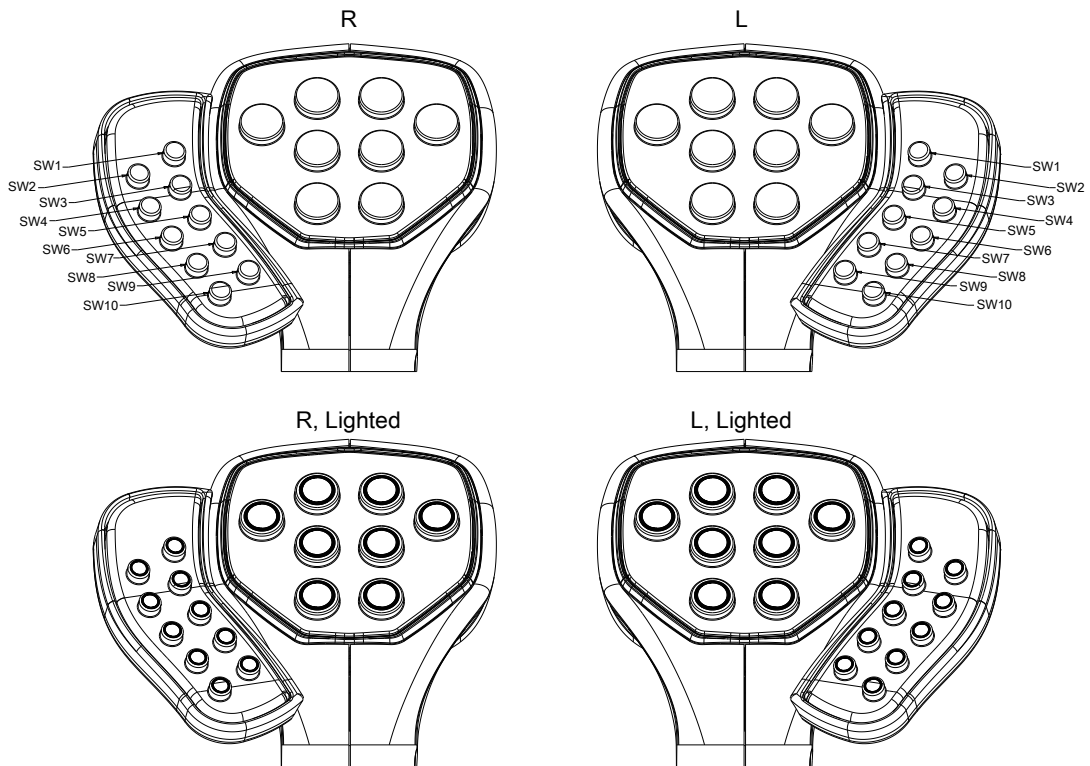


HIGH PERFORMANCE, HEAVY EQUIPMENT AND MATERIAL HANDLING GRIPS

G3-CK UNIVERSAL KEYPAD CONFIGURATIONS



CENTER KEYPAD CONFIGURATIONS

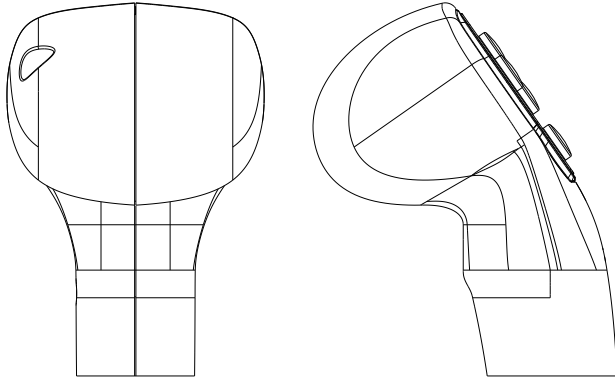


SIDE KEYPAD CONFIGURATIONS

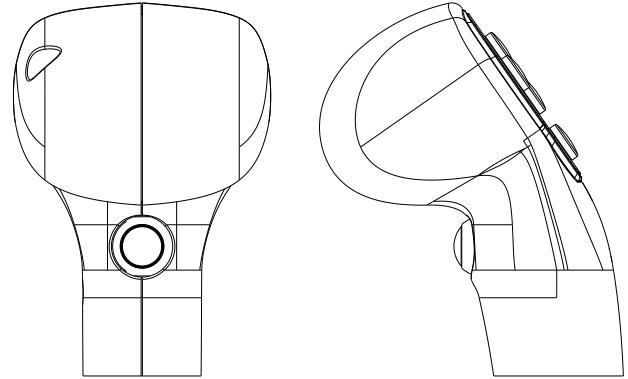
HIGH PERFORMANCE, HEAVY EQUIPMENT AND MATERIAL HANDLING GRIPS

G3-CK UNIVERSAL TRIGGER CONFIGURATIONS

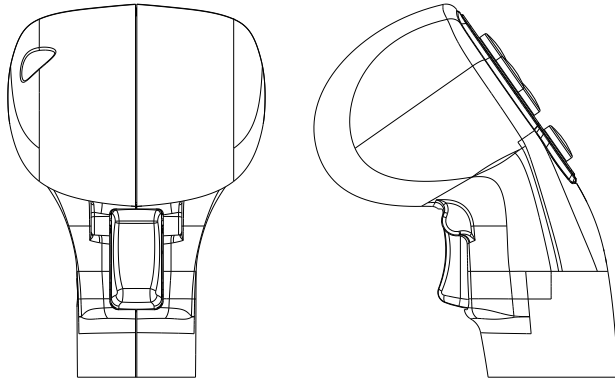
CONFIGURATION #1



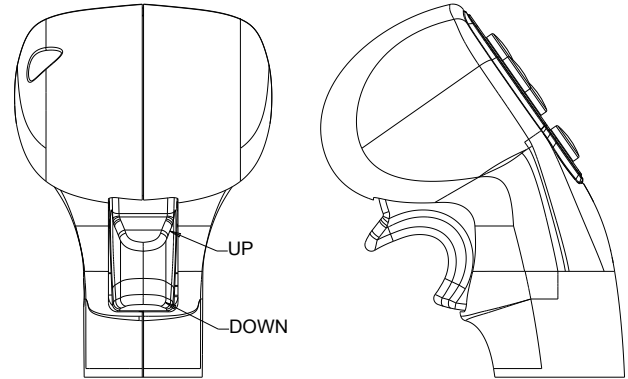
CONFIGURATION #2, 3



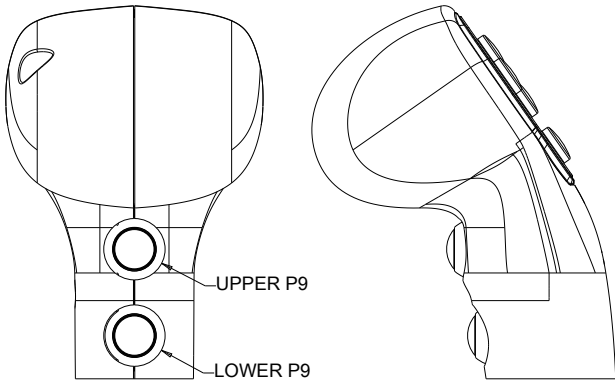
CONFIGURATION #4



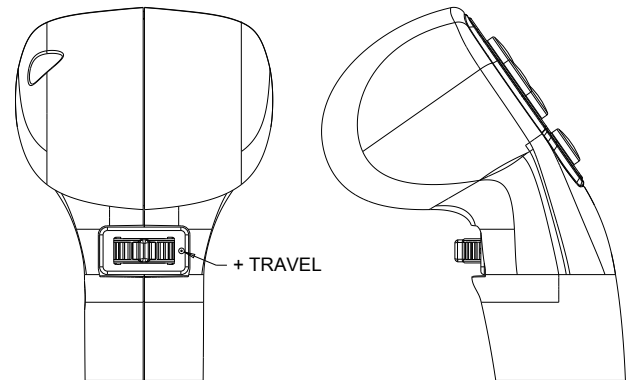
CONFIGURATION #5, 6



CONFIGURATION #7, 8



CONFIGURATION #9



HIGH PERFORMANCE, HEAVY EQUIPMENT AND MATERIAL HANDLING GRIPS

G3-CK UNIVERSAL SCHEMATICS

