

## G3-D Control Grip

### For Demanding Applications, Ergonomic Control Grip Design

The rugged, ergonomically designed G3-D Control Grip can be configured with a rocker switch or a pushbutton at the top of the grip handle, and an operator presence trigger switch to help prevent inadvertent actuation. Top mount and bottom mount are both available as standard offerings.

The G3-D grip can be assembled with OTTO's JHM joystick, providing a variety of gating options including single axis, dual axis, friction held and omni-directional. Output choices include analog, PWM, USB, CANopen and CANbus.

The G3-D Control Grip works well in industrial, agricultural, mining, utility and construction applications such as aerial work platforms, scissor lifts, bucket trucks, telehandlers, trenchers and track trucks.

### Features:

- Operator Presence Option
- Rocker or pushbutton switch options for the top of the handle
- Switches sealed to IP68S
- Top mount or bottom mount
- Can be assembled with an OTTO JHM joystick
- RoHS compliant



Top Mount G3-D with Rocker Switch and Operator Presence

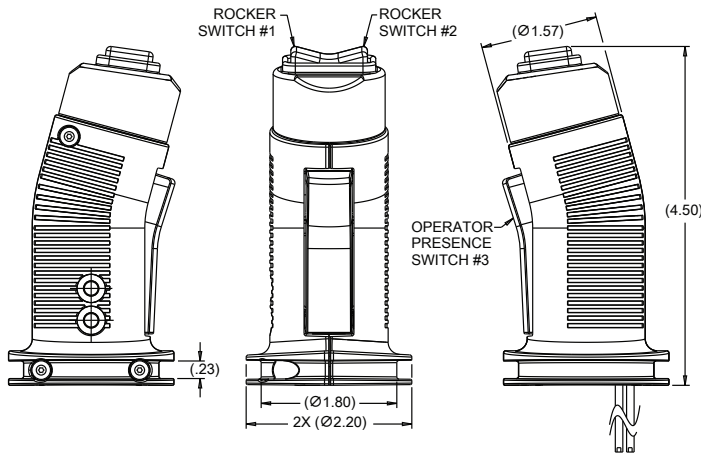


G3-D with Rocker Switch, Operator Presence and Top Mount JHM Joystick



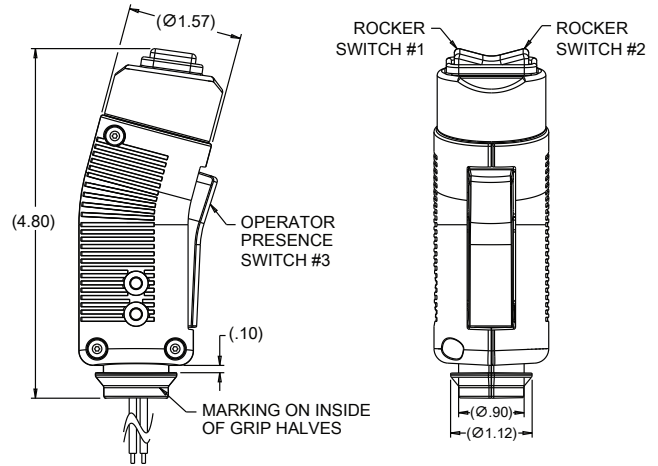
G3-D with Pushbutton and Bottom Mount JHM Joystick

Standard Characteristics/Ratings:				
<b>ELECTRICAL RATINGS:</b>				
<b>P9 Switches</b>				
Electrical Rating @ 28 VDC	50mA Resistive Load			
Electrical Life	1,000,000 Cycles			
<b>MECHANICAL RATINGS</b>				
<b>P9 Switches</b>				
Mechanical Life	1,000,000 Cycles			
<b>ENVIRONMENTAL:</b>				
<b>Operating Temperature:</b>	<b>Units</b>	<b>Min</b>	<b>Typ</b>	<b>Max</b>
	° C	-40	20	85
<b>P9 Switches</b>				
Enclosure Design	ISO 20653, IP68S - Dusttight, Continuous Immersion, 1 Meter For 31 Minutes, Static During Test(s)			
<b>Grip</b>				
Enclosure Design	ISO 20653, IP65 - Dusttight, Water Jets, Static During Test(s)			
<b>MATERIALS:</b>				
<b>Grip Halves, Faceplate</b>	Thermoplastic, Glass Reinforced, Black			
<b>Lever, Rocker</b>	Thermoplastic, Unfilled, Black			
<b>Boot</b>	Elastomer, 40 Durometer, Black			



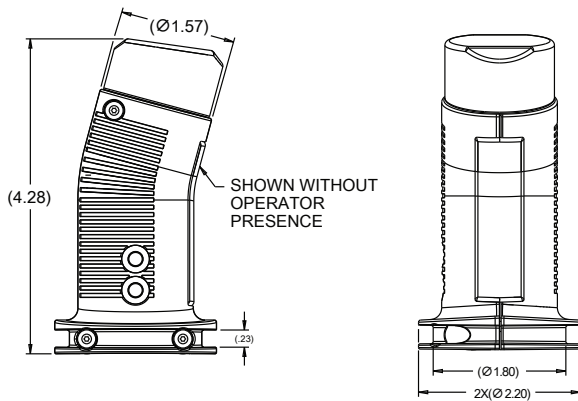
**TOP MOUNT  
ROCKER AND OPERATOR PRESENCE CONFIGURATION**

*Wires not shown in all views for clarity*



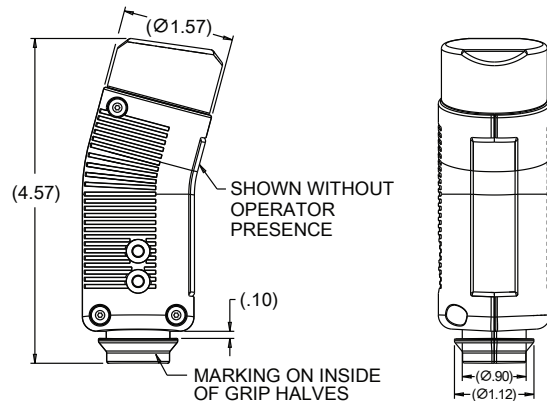
**BOTTOM MOUNT  
ROCKER AND OPERATOR PRESENCE CONFIGURATION**

*Wires not shown in all views for clarity*



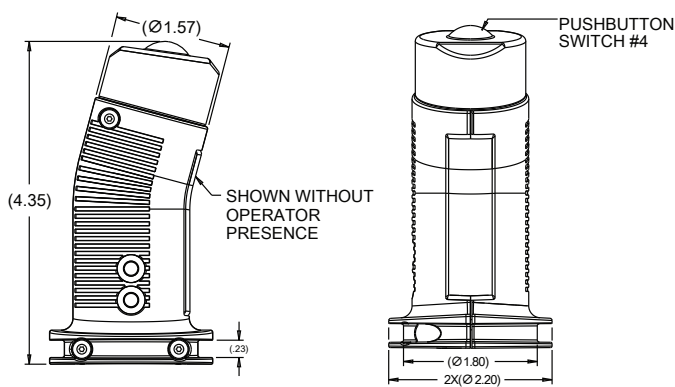
**TOP MOUNT  
NO SWITCHES CONFIGURATION**

*Wires not shown for clarity*



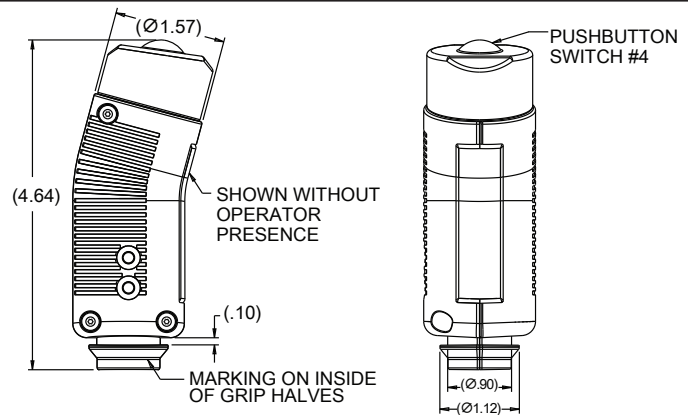
**BOTTOM MOUNT  
NO SWITCHES CONFIGURATION**

*Wires not shown for clarity*



**TOP MOUNT  
ONE PUSHBUTTON CONFIGURATION**

*Wires not shown for clarity*



**BOTTOM MOUNT  
ONE PUSHBUTTON CONFIGURATION**

*Wires not shown for clarity*