

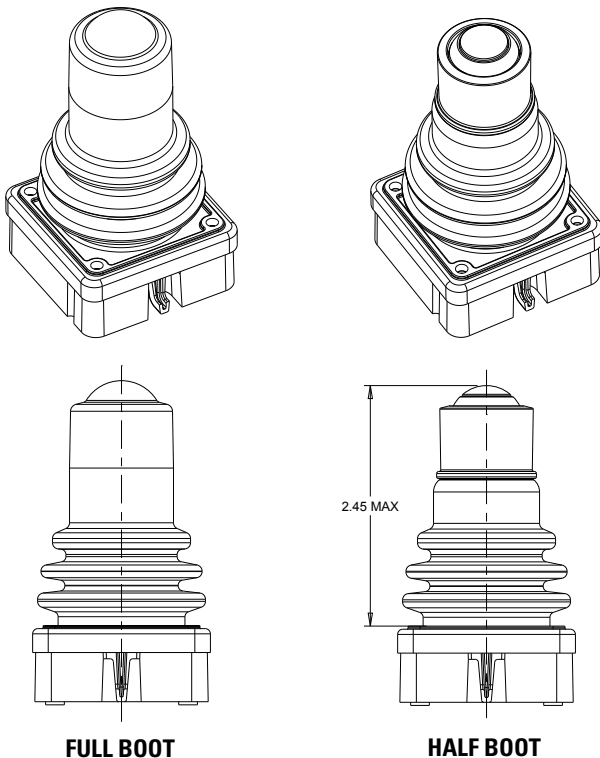
Compact Hall Effect Joystick

The JHT miniature series Hall effect joystick's compact design and robust construction is the ideal solution where space is limited and precision control is required. Ideal applications include: robotics, construction equipment, hydraulic controls, medical and surgery equipment, security and surveillance video cameras. The JHT has been tested to five million cycles with no degradation of electrical performance or boot wear. Electronics are sealed to IP68S and EMI/RFI immunity are per SAE J1113 specifications.

JHT Key Features:

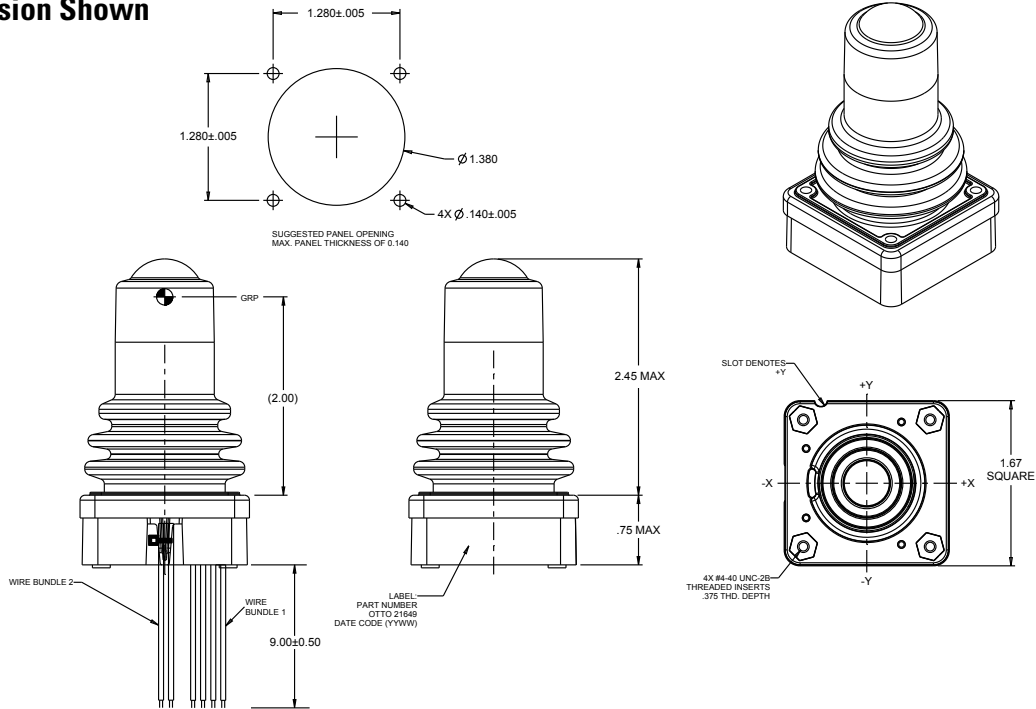
- Compact design excellent for armrest & panel mounting
- Proven contactless analog output Hall effect technology
- 5 million operational cycles in all directions
- Electronics sealed per IP68S
- Single or omni-directional
- Optional pushbutton switch(es) available
- RoHS compliant

JHT Switch/Style Boot Configuration

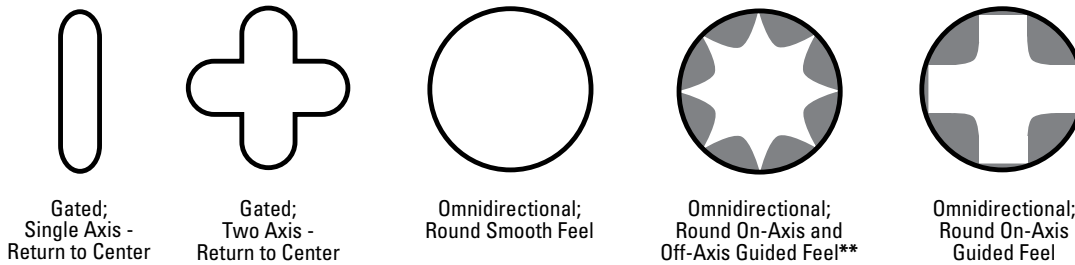


Standard Characteristics/Ratings:				
GENERAL:				
Sensor Type:	Hall effect analog, factory programmed ground and supply line break detection; over voltage and reverse voltage protection			
Design:	Contactless sensing			
ELECTRICAL RATINGS: Rated at Vcc = 5V @ 20°C Load = 1ma (4.7KΩ)				
Electrical				
	Units	Min	Typ	Max
Supply Voltage	VDC	4.5	5	5.5
Output Voltage Tolerance at Center	VDC @ 5V Vcc	-25	N/A	+25
Output Voltage Tolerance Full Travel	VDC @ 5V Vcc	-25	N/A	+25
Supply Current* (B = 0, Vcc = 5V, Io = 0)	mA	N/A	10	12
Output Impedance	kΩ	N/A	1	N/A
*Single output per axis. Dual output per axis available. Supply current 20mA typical.				
MECHANICAL:				
Joystick Mechanical Life:	5,000,000 cycles in all directions			
P9 Mechanical Life:	1,000,000 cycles			
Travel Angle:	18° min to 22° max, 20° typical			
Overtravel Angle:	0.5° min to 1.5° max, 1° typical			
Joystick Operating Force:	With bellows, at grip 0.5 lb. min to 1.5 lbs. max over temperature range			
P9 Operating Force:	@20°C 8 oz min to 16 oz max, 12 oz typical			
ENVIRONMENTAL:				
Operating Temp Range:	-40°C to +85°C			
Seal:	Electronics seal to IP68S			
RFI/EMI:	Withstand per SAE J1113			
MATERIALS:				
Housing:	Thermoplastic, black			
Bellows:	Silicone, black. Additional materials available, contact factory.			

Full Boot Version Shown



JHT Icons Demonstrating Feel*



*Feel defined by shading.
 **Full output available in all directions.
 Contact factory for details.

JHT Schematics

