

MOMENTARY ACTION COMMERCIAL GRADE LED ILLUMINATED & WATERTIGHT SEALED

The OTTO LP9 Lighted Dome series is a quality precision switch designed for use in panels, control grips, instruments, heavy equipment and other demanding applications where attractive, rugged, lighted pushbutton switches are required.

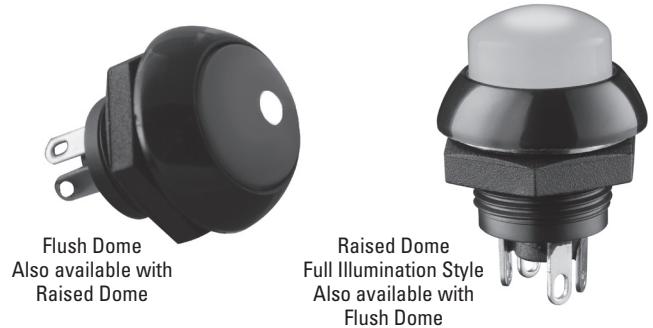
The LP9 series offers a positive tactile feedback, signaling the operator when the switch is operated with the added benefit of reliable LED illumination. The LP9 series offers four button versions; flush and raised profile with either a glossy or matte finish. It also comes with a threaded case for hex nut mounting while providing a short behind panel depth.

The LP9 series is constructed to meet IP68S watertight seal. Expect 25,000 operations at full rated load.

These momentary snap-action double break switches are available in standard and low operate forces. The LED is available in six colors and has the ability to accommodate 2 or 12VDC.

Features:

- **Watertight to IP68S**
- **LED lighting available in 6 colors with the ability to accommodate 2 or 12VDC**
- **Flush & raised button style**
- **Matte or glossy button finish**
- **Full button illumination style available with glossy button finish**
- **Positive tactile feedback contact transfer**
- **Withstands shock & vibration**
- **Short behind panel depth**
- **RoHS compliant**

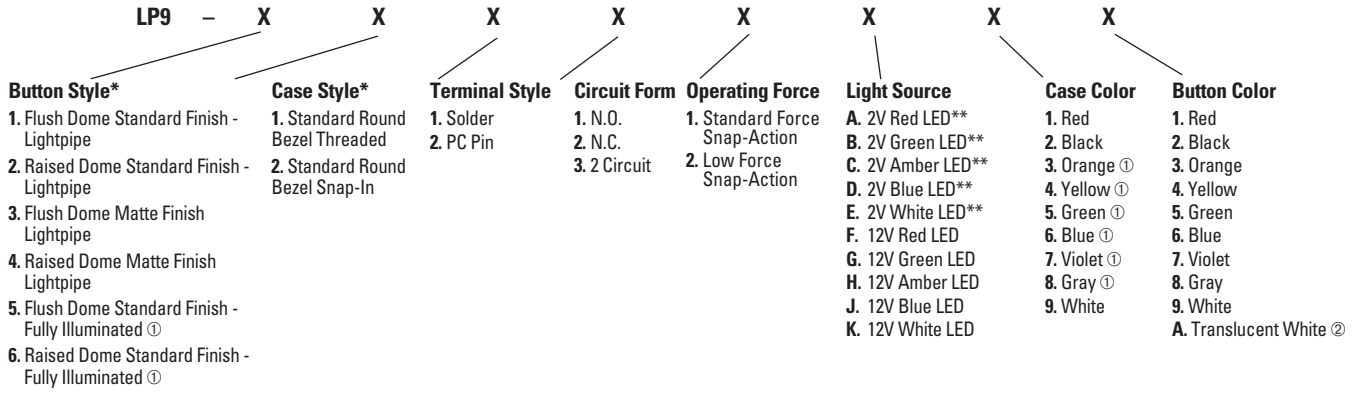


Flush Dome
Also available with Raised Dome

Raised Dome
Full Illumination Style
Also available with Flush Dome

Standard Characteristics/Ratings:				
ELECTRICAL RATINGS: Ratings at 28 VDC or 115 VAC				
Load	N.O./N.C.	2 Circuit	Cycles	Operating Force
Resistive:	5A	4A	25,000	Standard
Inductive:	3A	2A	25,000	Standard
Resistive:	500mA	—	500,000	Standard
Resistive:	200mA	—	500,000	Low
DVV	1000Vrms through switch contacts only			
Logic Level	10mA @ 5VDC		1,000,000	
Electrical Life:		See Rating Chart		
MECHANICAL:				
Mechanical Life:		1,000,000 cycles		
Seal:		IP68S		
Operating Temp Range:		-40°C to +85°C		
Operating Force:		1.7 +/- 0.5 lb. (standard force) 0.75 +/- 0.25 lb. (low force)		
Total Travel:		0.080 inches max		
Overtravel:		0.010 inches min		
MATERIALS:				
Case:		Thermoplastic		
Button:		Thermoplastic		
Terminals:		Brass with gold		
Mounting Hardware:		Hex nut, lockwasher and panel gasket for round/threaded style case Panel gasket for snap-in style case only		

LP9 PART NUMBER CODE



* Button and case will be of the same texture.

For all mixed gloss/matte combination options, contact factory.

** 2V LED's are intended for use with an external resistor. See LED voltage chart in appendix for details on the approximate value of the resistor.

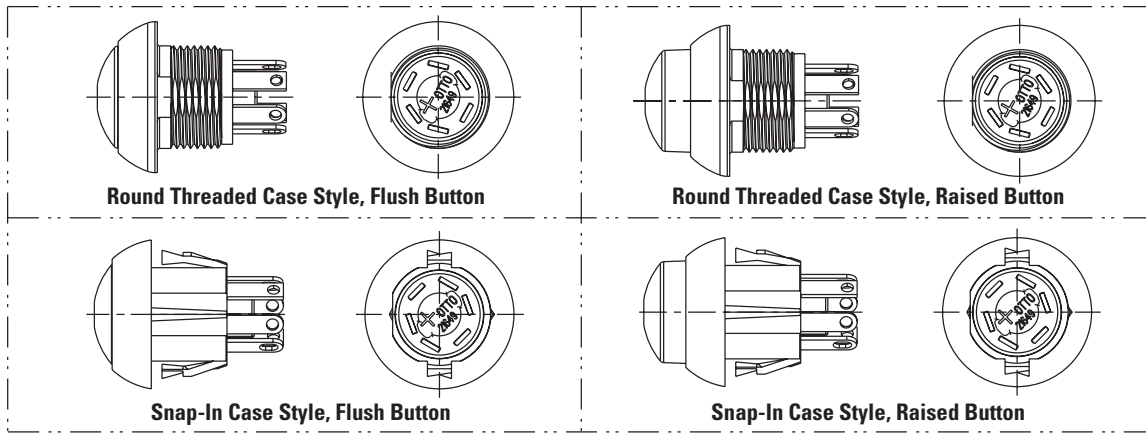
① For minimum requirement, contact factory.

② Full illumination button styles available with translucent Button Color selection A only.

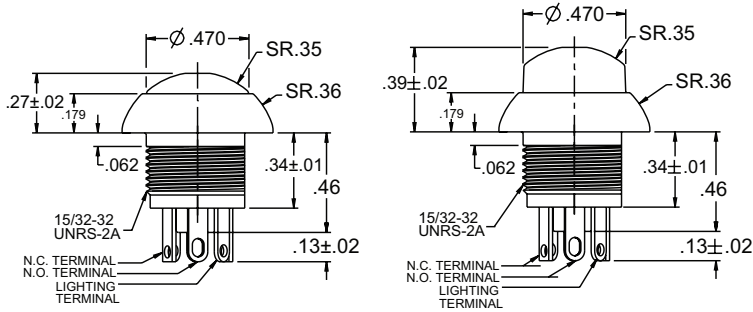
SEALED ILLUMINATED DOME PUSHBUTTONS

LP9
ILLUMINATED
PUSHBUTTONS

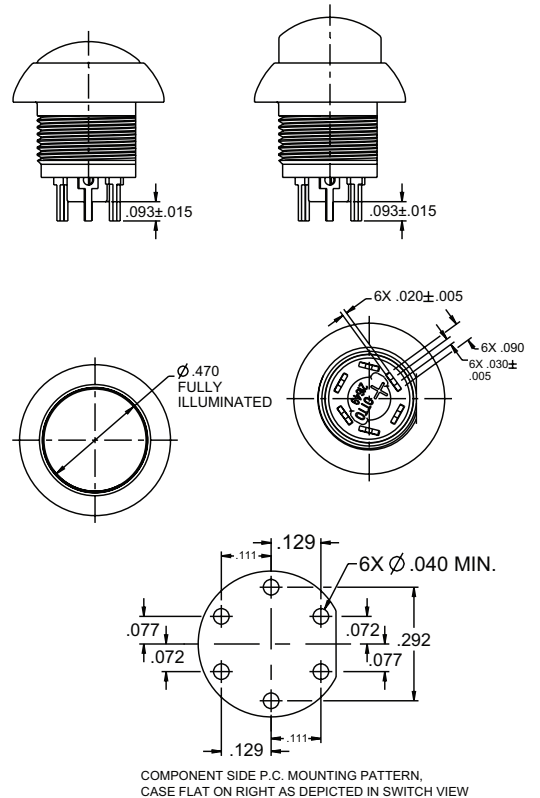
MOMENTARY ACTION COMMERCIAL GRADE LED ILLUMINATED & WATERTIGHT SEALED



Standard Terminals



PC Pin Terminals (Full Illumination Option Shown)



RECOMMENDED PANEL OPENINGS FOR SNAP-IN STYLE CASE

PANEL THICKNESS	RECOMMENDED Ø	DIM. ACROSS D-FLAT
.024	Ø.505	.460
.118	Ø.505	.460

