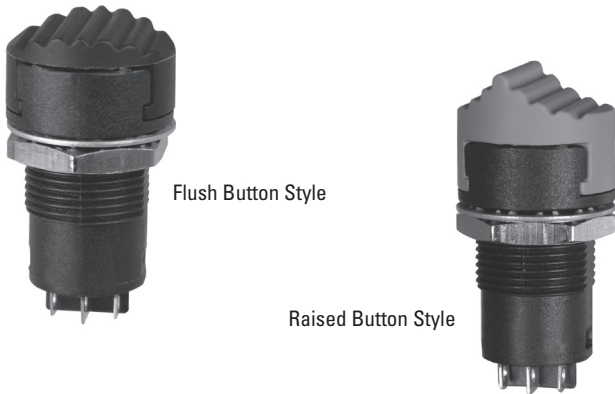


COMMERCIAL & MILITARY GRADES



Flush Button Style

Raised Button Style

Features:

- Single & double pole, double throw switch configuration
- Logic level rating available with gold plate contacts & terminals
- 3-position center OFF with momentary or maintained switch action in any combination
- Dusttight to MIL-PRF-8805 Design 2
- Raised & flush button contours available
- Choice of button color
- FAA/PMA available (contact factory)
- RoHS compliant

Standard Characteristics/Ratings:

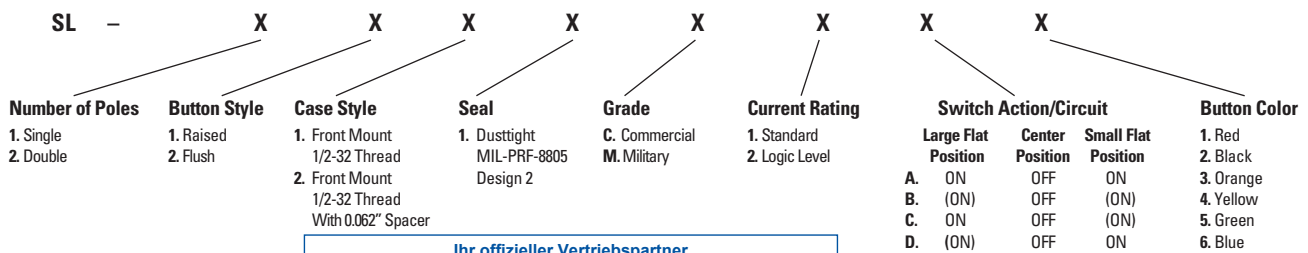
ELECTRICAL RATINGS:

Load	Sea Level @ 28VDC or 115VAC, 60/400Hz
Resistive	5A
Inductive	3A
Lamp	1A
DWV	1050Vrms
Logic Level	10mA @ 5VDC
Electrical Life:	100,000 cycles
Mechanical Life:	100,000 cycles
Seal:	Dusttight per MIL-PRF-8805 Design 2
Operating Temp Range:	-55°C to +85°C
Operating Force:	24 oz +/- 10 oz
Return Force:	10 oz +8 oz/-3 oz to center from maintained position
Total Travel:	0.120 inches max two directions
Overtravel:	0.010 inches min

MATERIALS:

Case:	Thermoplastic
Button:	Thermoplastic
Terminals:	Copper with silver Gold over silver for logic level
Terminal Hardware:	None provided
Mounting Hardware:	Hex nut and lockwasher

SL PART NUMBER CODE



Ihr offizieller Vertriebspartner

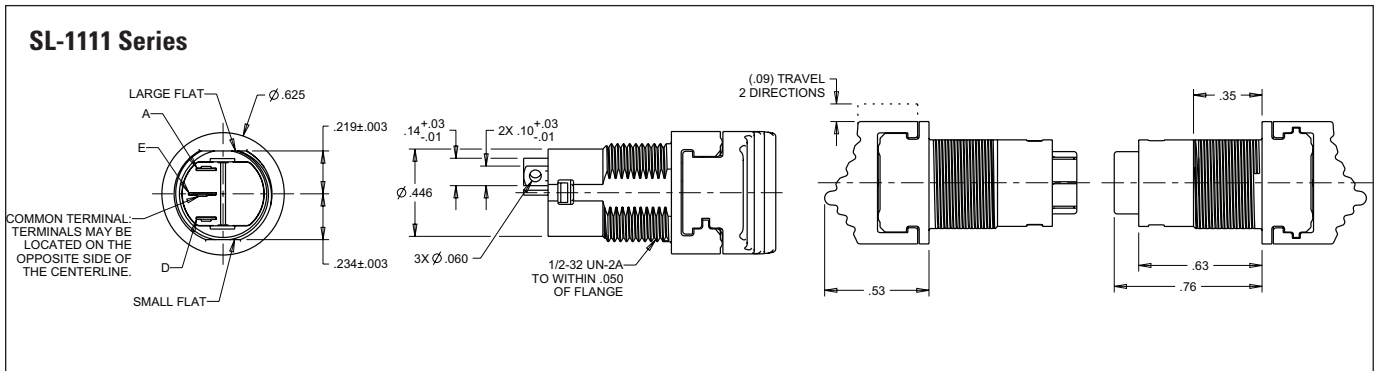


ALDERS
Indicate. Control. Connect.

ALDERS electronic GmbH
Arnoldstraße 19
47906 Kempen

+49 2152 8955-0
vertrieb@alders.de / www.alders.de

NOTE: () denotes momentary action.



COMMERCIAL & MILITARY GRADES

