



(2) TWO-WAY MOMENTARY TRIMS WITH TACTILE RESPONSE

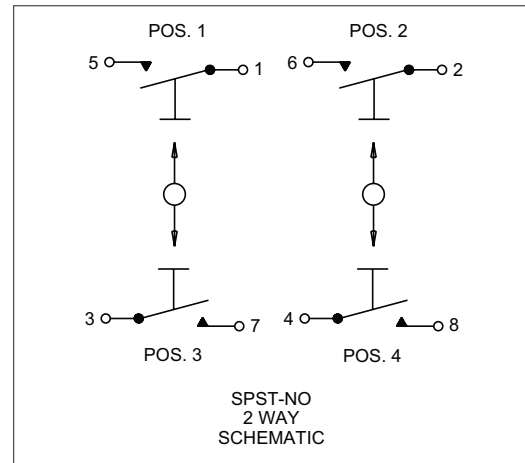


OTTO's Split Trim switch uses 2 single-pole-single-throw momentary toggles with detent providing a positive click action. Each two-way switch can operate independently or simultaneously. OTTO's Split Trim switches are available in both commercial and military grades and are most ideal for applications in aircraft, but can also be used in medical, unmanned vehicle, construction and agricultural equipment.

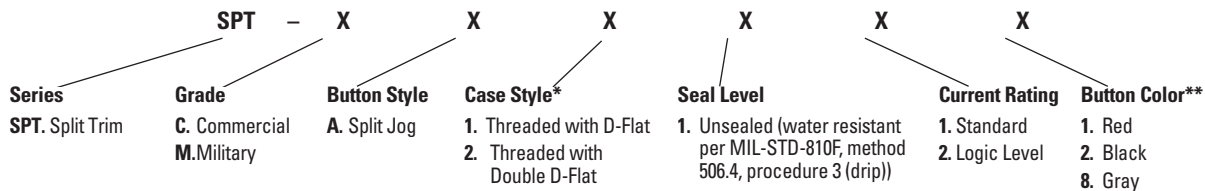
Features:

- Tactile Feedback
- 2-way momentary actuation of each switch
- Logic level switching option
- Water resistant per MIL-STD-810F; method 506.4, procedure 3 (drip)
- Available in Commercial & Military grades
- Choice of button colors
- Choice of case styles
- RoHS compliant

Standard Characteristics/Ratings:	
ELECTRICAL RATINGS:	
Load	Sea Level @ 28VDC
Resistive	2A
Inductive	1A
DWV	1050Vrms
Logic Level	10mA @ 5VDC
Electrical Life:	150,000 cycles commercial, 100,000 cycles military
Mechanical Life:	200,000 cycles
Seal:	Water resistant per MIL-STD-810F, method 506.4 procedure 3 (drip)
Operating Temp Range:	-40°C to +85°C
Operating Force:	0.75 +/- 0.25 lbs.
Return Point:	4° minimum
Pretravel:	9.5° maximum
Overtravel:	1.5° minimum
MATERIALS:	
Case:	Black Anodized Aluminum
Button:	Delrin
Terminals:	Beryllium copper or brass Gold over silver for logic level
Terminal Hardware:	None provided
Mounting Hardware:	Hex nut and lockwasher



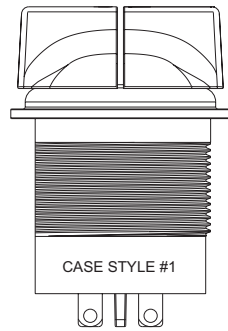
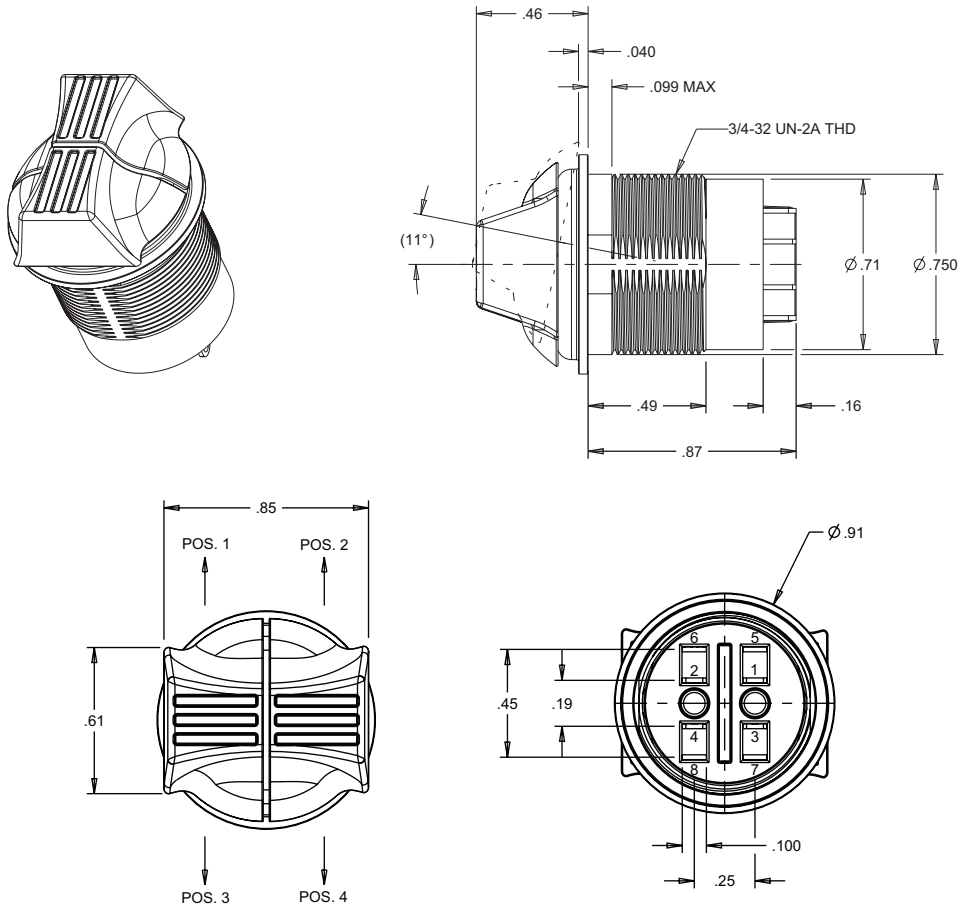
SPLIT TRIM PART NUMBER CODE



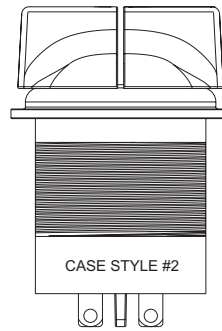
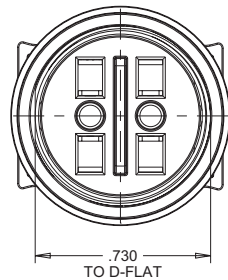
*Contact factory for press fit case.
**Additional button colors are available.

SPLIT TRIM

(2) TWO-WAY MOMENTARY TRIMS WITH TACTILE RESPONSE



Single D-Flat



Double D-Flat

