

4-Way Momentary Toggle with Tactile Response Now Available in Sealed Versions

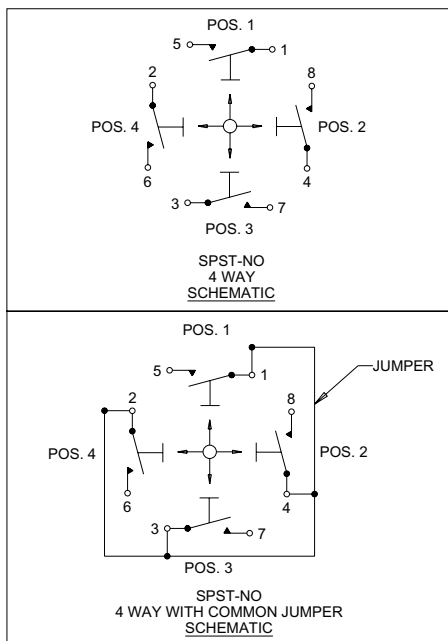
Tactile switches remain a favorite among design engineers because the positive detent indicates circuit transfer to the operator. OTTO's T4-T toggle switch, which provides a 4-way momentary toggle action with detent providing a positive click action, is now available in sealed versions.

T4-T seal options include IP64, IP68S and water resistant per MIL-STD-810F; method 506.4, procedure 3 (drip).

The T4-T series, which provides Commercial and Military grade switching with a positive click action, is ideal for grip applications in aircraft and off-road equipment.

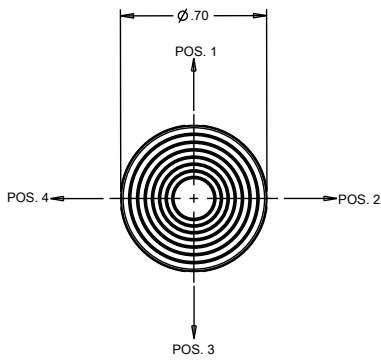
T4-T Features:

- Positive detent
- 4-way momentary toggle action
- Sealed to IP64, IP68S or water resistant per MIL-STD-810F; method 506.4, procedure 3 (drip)
- Low level options
- Available in Commercial & Military grades
- Variety of button styles & colors available
- RoHS/WEEE/Reach compliant

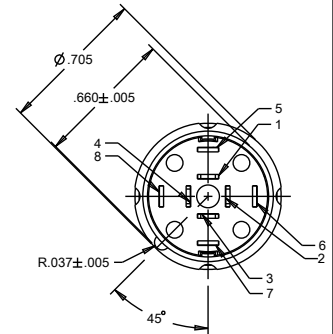
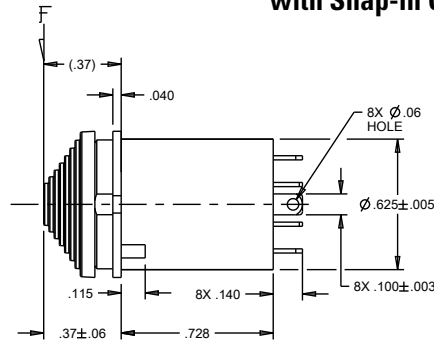


Standard Characteristics/Ratings:	
ELECTRICAL RATINGS:	
Load	Sea Level @ 28VDC
Resistive	2A
Inductive	1A
DWV	1000Vrms
Logic Level	10mA @ 5VDC
Electrical Life:	100,000 cycles min. (Military) 150,000 cycles min. (Commercial)
Mechanical Life:	500,000 cycles
Seal:	IP64, IP68S or water resistant per MIL-STD-810F, method 506.4, procedure 3 (drip)
Operating Temp Range:	-55°C to +85°C
Operating Force:	0.75 lb. +/- 0.25 lb.
Button Strength:	4.5 lb. minimum pull
Overtravel:	1.5" min
Pretravel:	0.5" max
Return Point:	4" min
MATERIALS:	
Case:	Black Thermoplastic
Button:	Thermoplastic
Terminals:	Copper or brass Gold over silver for logic level
Bushing:	Black anodized aluminum alloy
Mounting Hardware:	Hexnut, lockwasher and panel seal gasket where applicable

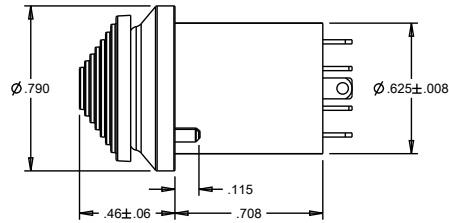
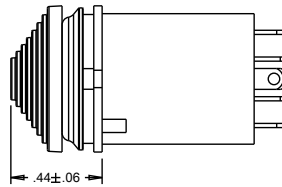
Short Hat Button Style with Snap-in Case



Short Hat Button Style with Snap-in Case

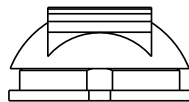


DRAWING VIEWS FOR SEAL LEVEL 3 (DRIP)

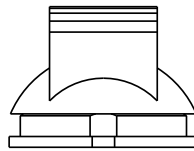


T4-T Mini Trim Button Styles

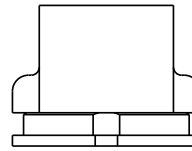
A - 2-WAY JOG



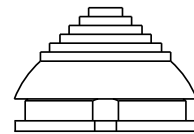
B - TALL JOG



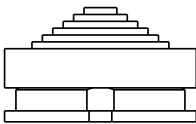
C - ROCKER



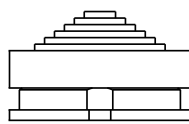
D - CONE



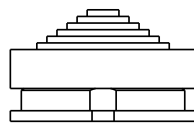
E - LRUD HAT



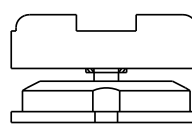
F - IOUD HAT



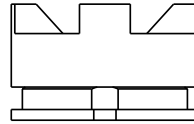
G - HAT



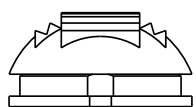
H - STADIUM



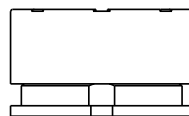
J - CASTLE



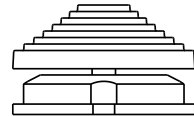
K - 4-WAY JOG



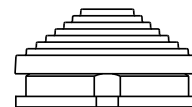
L - INVERSE HAT



M - TALL HAT



N - SHORT HAT



P - STADIUM ROTATED

