

4-WAY MOMENTARY TOGGLE WITH TACTILE RESPONSE

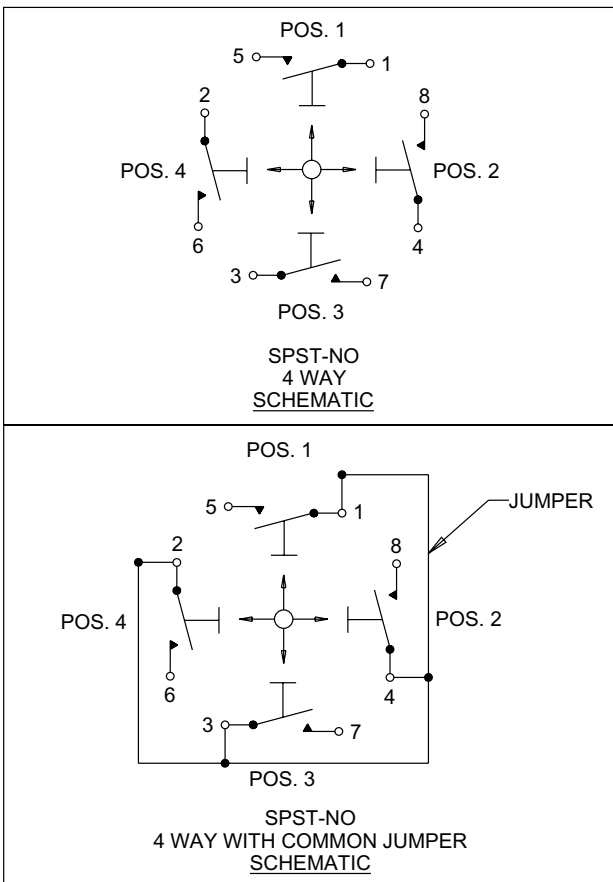
Tactile switches remain a favorite among design engineers because the positive detent indicates circuit transfer to the operator. The T4-T toggle switch provides a 4-way momentary toggle action with detent providing a positive click action.

T4-T seal options include IP64, IP68S and water resistant per MIL-STD-810F; method 506.4, procedure 3 (drip).

The T4-T series provides Commercial and Military grade switching with a positive click action, ideal for grip applications in aircraft and off-road equipment.

Features:

- Positive detent
- 4-way momentary toggle action
- Positive click action
- Enclosure sealed to IP64, IP68S or water resistant per MIL-STD-810F; method 506.4, procedure 3 (drip)
- Logic level options
- Available in Commercial & Military grades
- Variety of button styles & colors available
- RoHS compliant

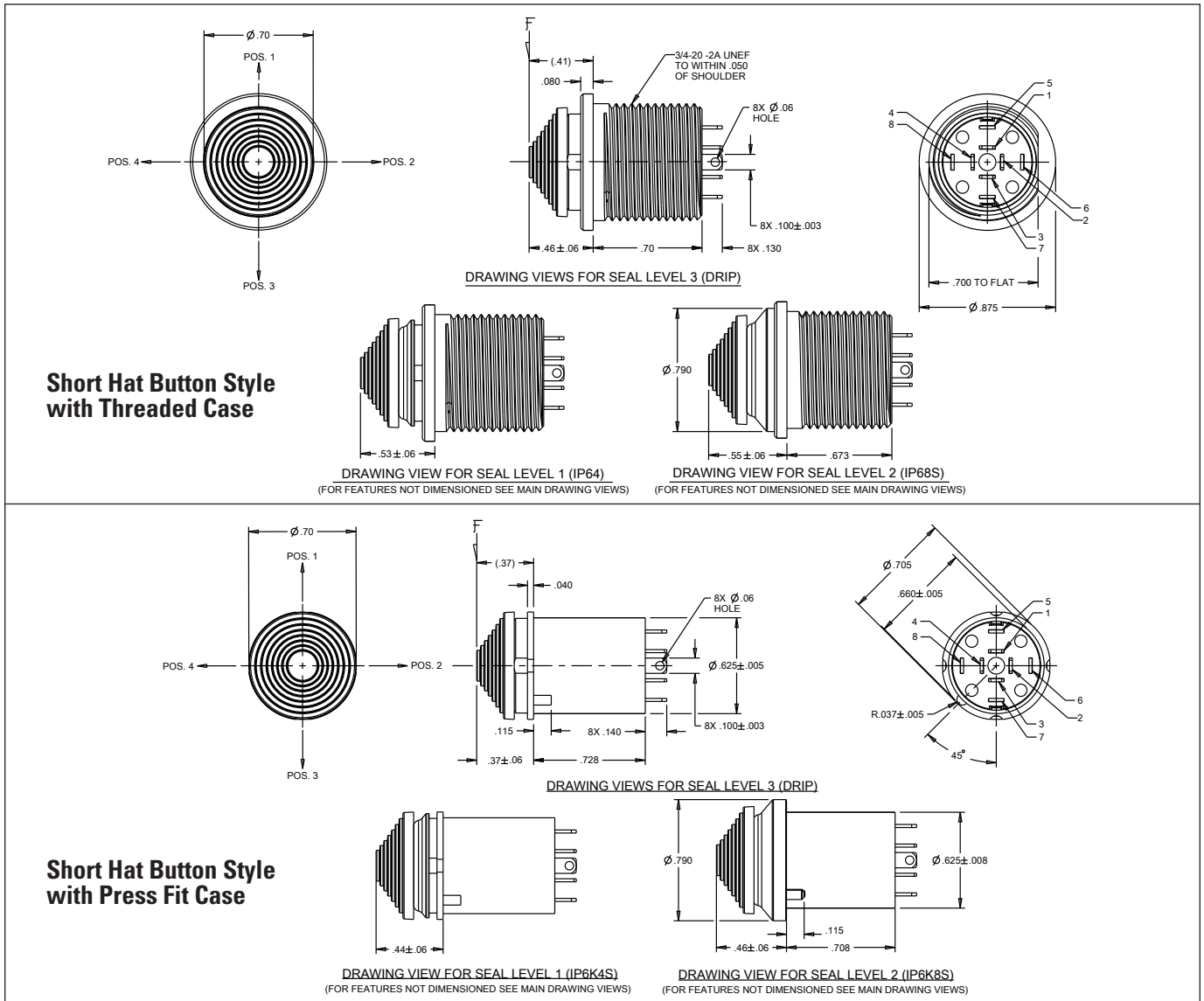


Standard Characteristics/Ratings:

ELECTRICAL RATINGS:

Load	Sea Level @ 28VDC
Resistive	2A
Inductive	1A
DWV	1000Vrms
Logic Level	10mA @ 5VDC
Electrical Life:	100,000 cycles min. (Military) 150,000 cycles min. (Commercial)
Mechanical Life:	500,000 cycles
Seal:	IP64, IP68S or water resistant per MIL-STD-810F, method 506.4, procedure 3 (drip)
Operating Temp Range:	-55°C to +85°C
Operating Force:	0.75 lb. +/- 0.25 lb.
Button Strength:	4.5 lb. minimum pull
Overtravel:	1.5° min
Pretravel:	9.5° max
Return Point:	4° min
MATERIALS:	
Case:	Black Thermoplastic
Button:	Thermoplastic
Terminals:	Copper or brass Gold over silver for logic level
Bushing:	Black anodized aluminum alloy
Mounting Hardware:	Hexnut, lockwasher and panel seal gasket where applicable

4-WAY MOMENTARY TOGGLE WITH TACTILE RESPONSE



T4-T PART NUMBER CODE

	T4-T	X	X	X	X	X	X
Series	Grade	Button Style*	Case Style	Seal	Current Rating	Button Color**	
T4-T 4-Way	C. Commercial M. Military	A. 2-Way Jog B. Tall Jog C. Rocker D. Cone E. LRUD Hat F. IOUD Hat G. Hat H. Stadium J. Castle K. 4-Way Jog L. Inverse Hat M. Tall Hat N. Short Hat P. Rotated Stadium	3. Press Fit 4. Threaded	1. IP64 Dusttight 2. IP68S Watertight 3. Water resistant per MIL-STD-810F, method 506.4, procedure 3 (drip)	1. Standard 2. Logic Level 3. Standard With Internal Jumper 4. Logic Level With Internal Jumper	1. Red 2. Black 8. Gray	

Ihr offizieller Vertriebspartner

ALDERS®
Indicate. Control. Connect.

ALDERS electronic GmbH
Arnoldstraße 19
47906 Kempen
+49 2152 8955-0
vertrieb@alders.de / www.alders.de

**Contact factory for additional colors.

*T4-T Mini Trim Button Styles are shown on the Button Styles page and in the appendix.