

T8-T TACTILE MINI TRIM

T8-T
TACTILE
MINI TRIM

8-WAY MOMENTARY TOGGLE WITH TACTILE RESPONSE

The T8-T toggle switch provides an 8-way momentary toggle action with detent providing a positive click action that indicates circuit transfer to the operator. The T8-T series provides commercial and military grade switching with sealing up to IP68S, and is ideal for grip applications in aircraft and off-road equipment.

Features:

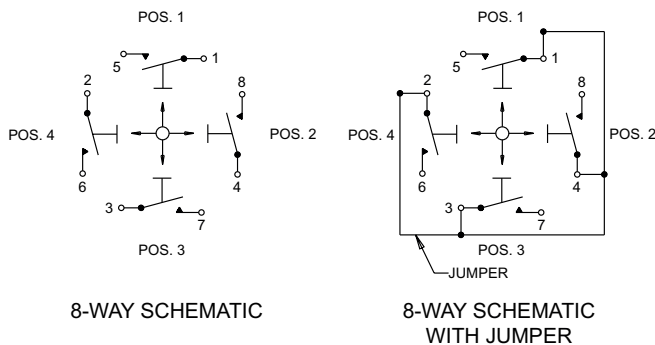
- Positive detent
- 8-way momentary toggle action
- Panel sealed to IP64, IP68S or unsealed
- Positive click action
- Logic level switching option
- Available in commercial & military grades
- Variety of button styles & colors available
- RoHS compliant



Hat Button Style
with Press Fit Case



Inverse Hat Button Style
with Threaded Case



8-WAY SCHEMATIC

8-WAY SCHEMATIC
WITH JUMPER

Standard Characteristics/Ratings:	
ELECTRICAL RATINGS:	
Load	Sea Level @ 28VDC
Resistive	2A
Inductive	1A
DWV	1000Vrms
Logic Level	10mA @ 5VDC
Electrical Life:	30,000 cycles (Military), 50,000 cycles (Commercial)
Mechanical Life:	150,000 cycles
Seal:	IP64, IP68S or unsealed
Operating Temp Range:	-55°C to +85°C
Operating Force:	1.2 lb. +/- 0.5 lb.
Button Strength:	4.5 lbs. min pull
Overtravel:	1° min
Pretravel:	9.5° max
Return Point:	3.5° min
MATERIALS:	
Case:	Black Thermoplastic
Button:	Thermoplastic
Bushing:	Black anodized aluminum alloy
Mounting Hardware:	Hexnut, lockwasher, and panel seal (level 1 and 2 only)

Your official representative



ALDERS

Indicate. Control. Connect.

ALDERS electronic GmbH
Arnoldstraße 19
47906 Kempen - Germany

+49 2152 8955-0
sales@alders.de / www.alders.de

T8-T PART NUMBER CODE

T8-T	X	X	X	X	X	X
Series	Grade	Button Style	Case Style	Seal*	Current Rating	Button Color**
T8-T 8-Way	C. Commercial M. Military	D. Cone E. LRUD Hat F. IOUD Hat G. Hat H. Stadium J. Castle K. 4-Way Jog R. Inverse Hat S. Tall Hat T. Short Hat Q. Stadium Rotated	3. Press Fit 4. Threaded	1. IP64 2. IP68S 3. Unsealed	1. Standard 2. Logic Level 3. Standard With Internal Jumper 4. Logic Level With Internal Jumper	1. Red 2. Black 8. Gray

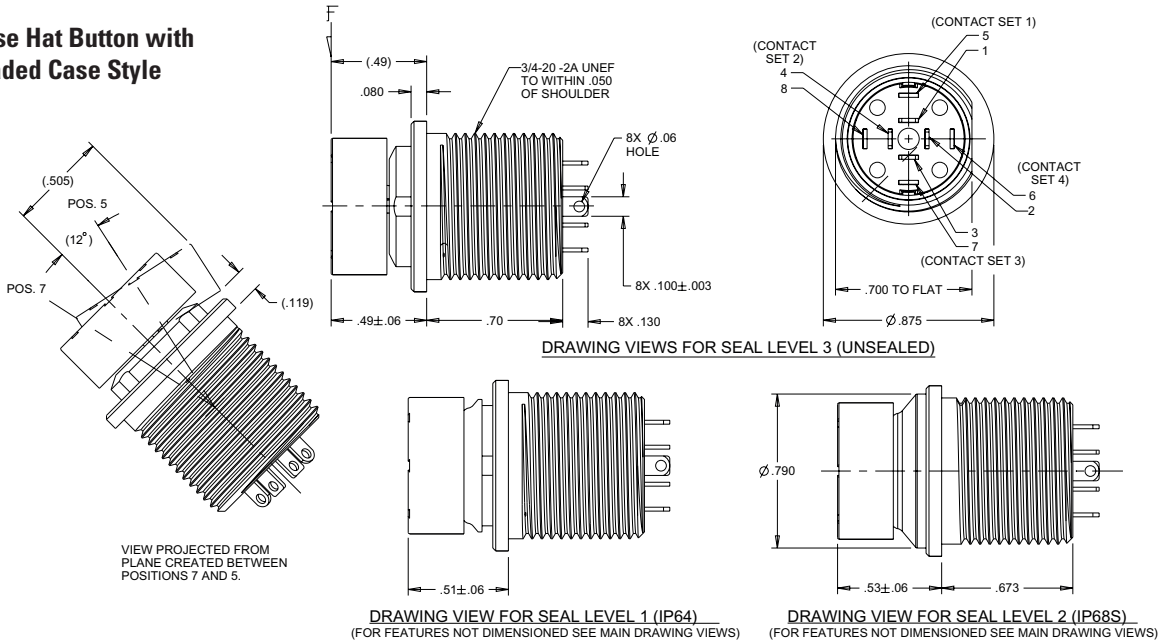
* Panel seal only

** Contact factory for additional colors.

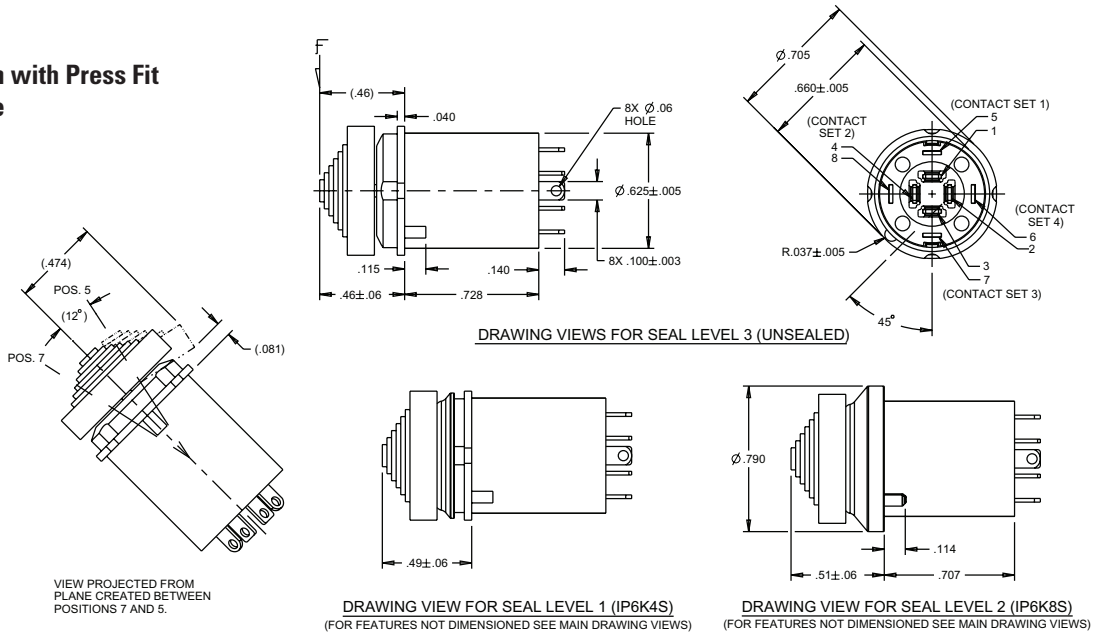
T8-T Mini Trim button styles are shown on the Button Styles page and in the appendix.

8-WAY MOMENTARY TOGGLE WITH TACTILE RESPONSE

Inverse Hat Button with Threaded Case Style



Hat Button with Press Fit Case Style



BUTTON POSITION/SWITCH ACTION (ALL MOMENTARY CONTACTS - ALL OTHER CONTACT SETS NOT SHOWN ARE OPEN)

BUTTON POSITION	CONTACT SET 1	CONTACT SET 2	CONTACT SET 3	CONTACT SET 4
1	5 ○ —●— 1			
2		8 ○ —●— 4		
3			7 ○ —●— 3	
4				6 ○ —●— 2
5	5 ○ —●— 1	8 ○ —●— 4		
6		8 ○ —●— 4	7 ○ —●— 3	
7			7 ○ —●— 3	6 ○ —●— 2
8	5 ○ —●— 1			6 ○ —●— 2

