

# T8-T TACTILE MINI TRIM

**T8-T**  
TACTILE  
MINI TRIM

## 8-WAY MOMENTARY TOGGLE WITH TACTILE RESPONSE

The T8-T toggle switch provides an 8-way momentary toggle action with detent providing a positive click action that indicates circuit transfer to the operator. The T8-T series provides commercial and military grade switching with sealing up to IP68S, and is ideal for grip applications in aircraft and off-road equipment.

### Features:

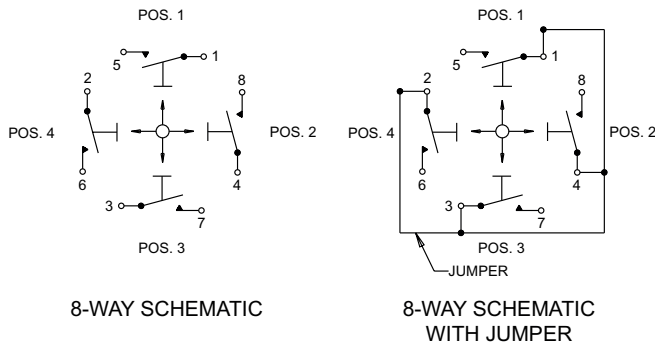
- Positive detent
- 8-way momentary toggle action
- Panel sealed to IP64, IP68S or unsealed
- Positive click action
- Logic level switching option
- Available in commercial & military grades
- Variety of button styles & colors available
- RoHS compliant



Hat Button Style  
with Press Fit Case



Inverse Hat Button Style  
with Threaded Case



Standard Characteristics/Ratings:	
<b>ELECTRICAL RATINGS:</b>	
<b>Load</b>	Sea Level @ 28VDC
Resistive	2A
Inductive	1A
DWV	1000Vrms
Logic Level	10mA @ 5VDC
<b>Electrical Life:</b>	30,000 cycles (Military), 50,000 cycles (Commercial)
<b>Mechanical Life:</b>	150,000 cycles
<b>Seal:</b>	IP64, IP68S or unsealed
<b>Operating Temp Range:</b>	-55°C to +85°C
<b>Operating Force:</b>	1.2 lb. +/- 0.5 lb.
<b>Button Strength:</b>	4.5 lbs. min pull
<b>Overtravel:</b>	1° min
<b>Pretravel:</b>	9.5° max
<b>Return Point:</b>	3.5° min
<b>MATERIALS:</b>	
<b>Case:</b>	Black Thermoplastic
<b>Button:</b>	Thermoplastic
<b>Bushing:</b>	Black anodized aluminum alloy
<b>Mounting Hardware:</b>	Hexnut, lockwasher, and panel seal (level 1 and 2 only)

Votre distributeur officiel

**ALDERS**  
Indicate. Control. Connect.

ALDERS electronic GmbH  
Arnoldstraße 19  
47906 Kempen - Allemagne

+33 3 89064677  
+33 6 33389393  
catherine.sturm@alders.fr / www.alders.fr

### T8-T PART NUMBER CODE

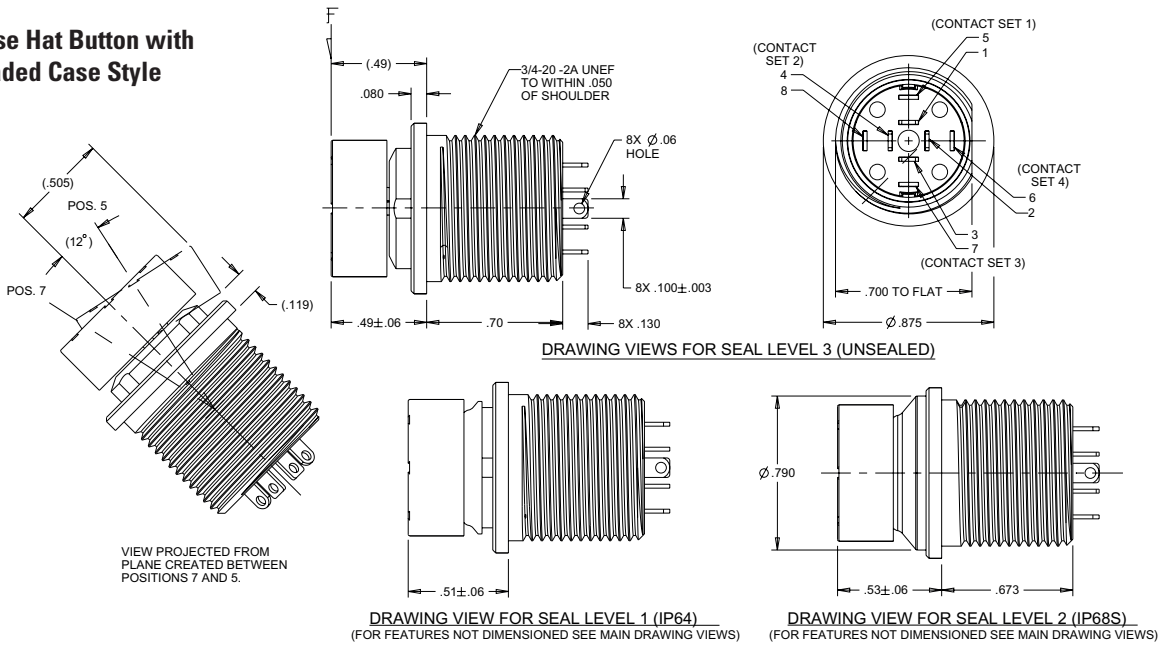
<b>T8-T</b>	<b>X</b>	<b>X</b>	<b>X</b>	<b>X</b>	<b>X</b>	<b>X</b>
<b>Series</b>	<b>Grade</b>	<b>Button Style</b>	<b>Case Style</b>	<b>Seal*</b>	<b>Current Rating</b>	<b>Button Color**</b>
T8-T 8-Way	C. Commercial M. Military	D. Cone E. LRUD Hat F. IOUD Hat G. Hat H. Stadium J. Castle K. 4-Way Jog R. Inverse Hat S. Tall Hat T. Short Hat Q. Stadium Rotated	3. Press Fit 4. Threaded	1. IP64 2. IP68S 3. Unsealed	1. Standard 2. Logic Level 3. Standard With Internal Jumper 4. Logic Level With Internal Jumper	1. Red 2. Black 8. Gray

\* Panel seal only  
\*\* Contact factory for additional colors.

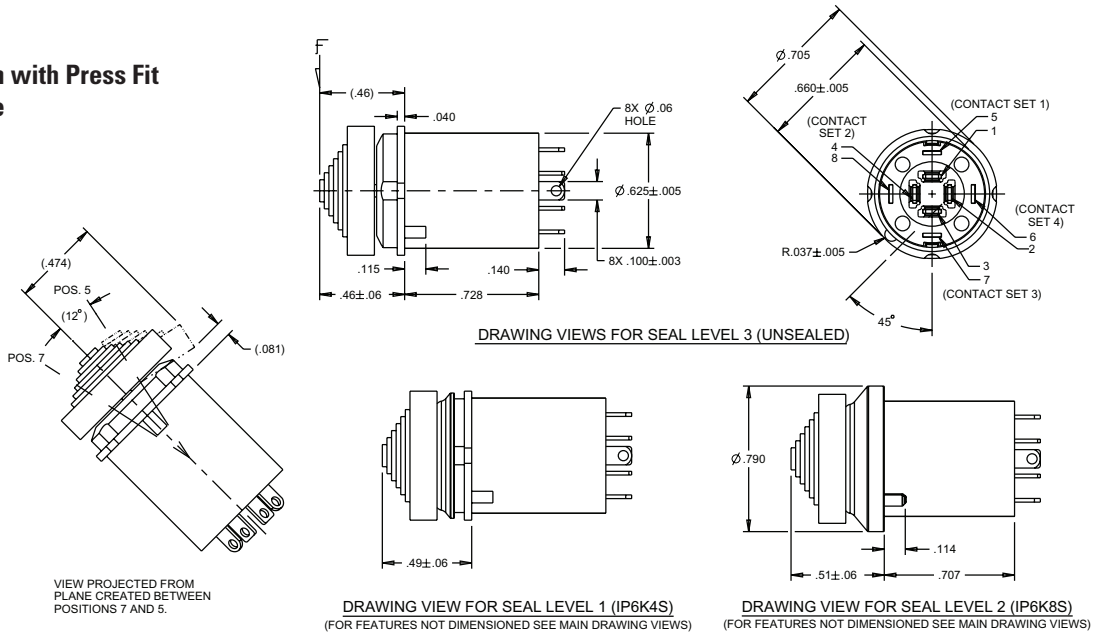
T8-T Mini Trim button styles are shown on the Button Styles page and in the appendix.

## 8-WAY MOMENTARY TOGGLE WITH TACTILE RESPONSE

### Inverse Hat Button with Threaded Case Style



### Hat Button with Press Fit Case Style



BUTTON POSITION/SWITCH ACTION (ALL MOMENTARY CONTACTS - ALL OTHER CONTACT SETS NOT SHOWN ARE OPEN)

BUTTON POSITION	CONTACT SET 1	CONTACT SET 2	CONTACT SET 3	CONTACT SET 4
1	5 ○ —●— 1			
2		8 ○ —●— 4		
3			7 ○ —●— 3	
4				6 ○ —●— 2
5	5 ○ —●— 1	8 ○ —●— 4		
6		8 ○ —●— 4	7 ○ —●— 3	
7			7 ○ —●— 3	6 ○ —●— 2
8	5 ○ —●— 1			6 ○ —●— 2

