

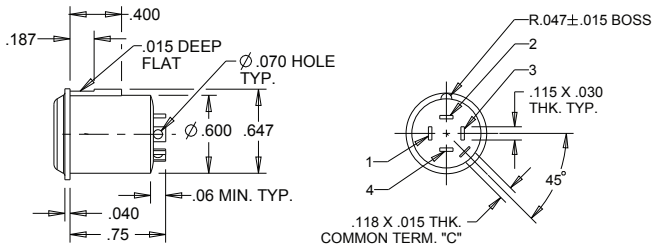
T8 MINI TRIM SWITCHES

8-WAY MINI TRIM, COMMERCIAL & MILITARY GRADES

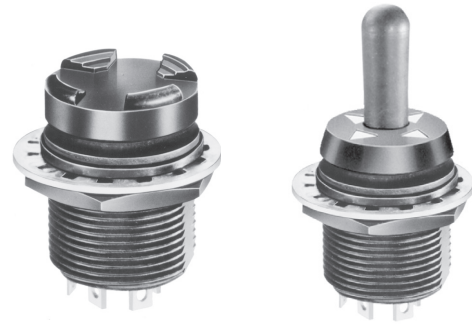
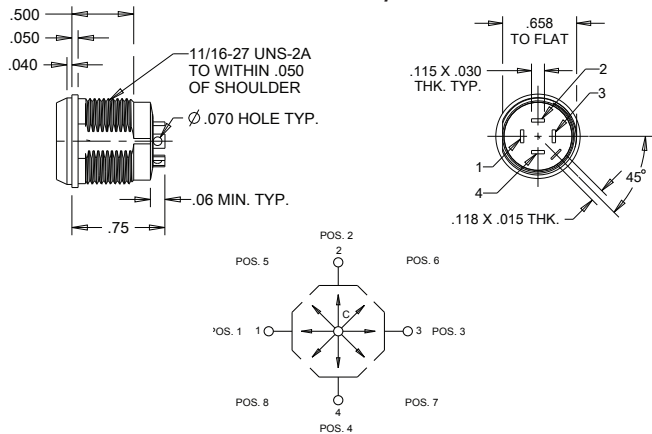
The T8 Mini Trim is a single pole, 8 throw, center off momentary contact (self return to center off) switch. Numerous button styles are available on both the Commercial and Military grade switch versions. Mini Trims are typically press fit into control grips or panel mounted using versions with an 11/16" threaded case. Mini Trims are also available with multiple sealing levels to fit all applications.

Typical Dimensions

Press Fit



Threaded Body



Standard Characteristics/Ratings:

ELECTRICAL RATINGS:

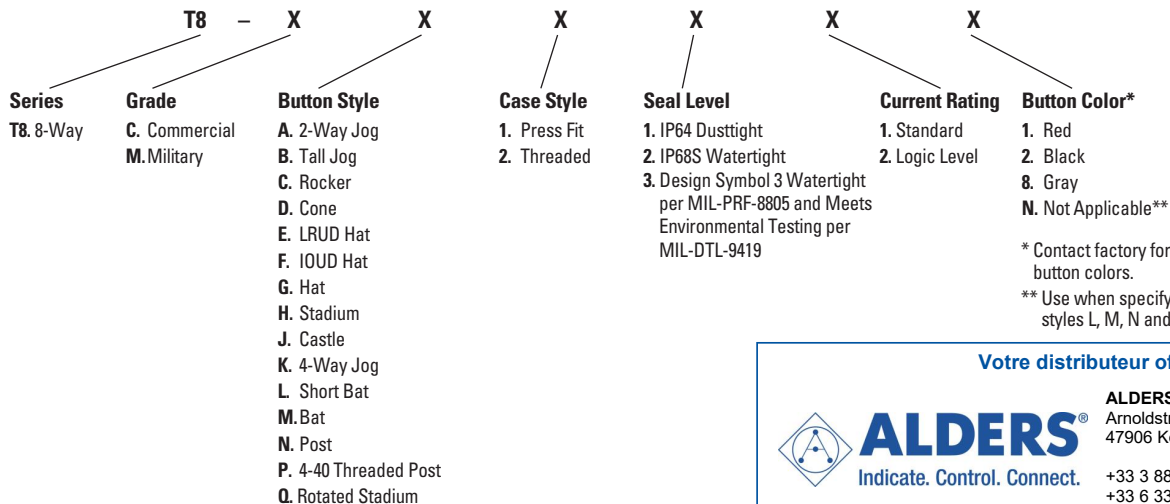
Load	Rating
Resistive	10mA @ 5VDC (logic level)
Inductive	1A @ 28VDC
DWV	1050Vrms

Electrical Life:	100,000 cycles
Lever Travel:	Toggle: 15° max from center OFF
Seal:	IP64 or IP68S or MIL-PRF-8805 Design 3
Operating Temp Range:	-55°C to +85°C
Operating Force:	Toggle: 16 oz +/- 6 oz
Lever Pivot & Stop Strength:	Switch is capable of withstanding a force of 25.0 lbs. applied to the actuating button. The button also withstands 15.0 lbs. minimum pull force.

MATERIALS:

Button:	Thermoplastic
Case:	Black anodized aluminum alloy
Terminals:	Silver over brass Brass with gold over silver for logic level
Terminal Hardware:	None provided
Mounting Hardware:	Hex nut, tooth lockwasher, panel seal gasket where applicable

T8 MINI TRIM PART NUMBER CODE



T8 Mini Trim Button Styles are shown on the Button Styles page and in the appendix.

Votre distributeur officiel

ALDERS[®]
Indicate. Control. Connect.

ALDERS electronic GmbH
Arnoldstraße 19
47906 Kempen - Allemagne

+33 3 88064677
+33 6 33389393
catherine.sturm@alders.fr / www.alders.fr