

SHORTER, LOGIC LEVEL TACTILE MINI TRIM

LOGIC LEVEL 4-WAY OR 4-WAY PLUS CENTER PUSHBUTTON TACTILE MINI TRIM

TK with
Molex ConnectorTK with
Wire Leads
(Coming Soon)

The TK Mini Trim is a tactile, 4-way, logic level, momentary contact switch with a center pushbutton option designed to fit easily in grips and control panels. The TK's shorter behind panel length is nearly 2/10" shorter than OTTO's traditional T4-T Mini Trim allowing for increased functionality and efficiency in any application.

The TK offers three panel sealing level choices: unsealed, dusttight to IP64, or watertight to IP68S.

The TK is a tactile switch which offers the operator a positive click action indicating actuation, and is ideal for grip applications in aircraft, off-road and material handling.

Features:

- Logic level, normally open
- Shorter behind panel
- 4-way or 4-way with center pushbutton momentary toggle action
- Positive click action indicates actuation
- Panel sealed to IP64, IP68S or unsealed
- Wire leads or Molex connector
- RoHS compliant

Standard Characteristics/Ratings:

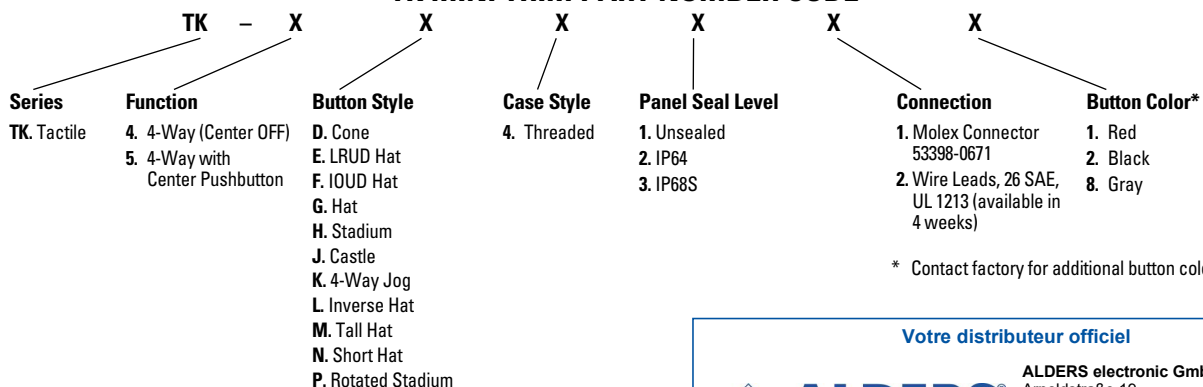
ELECTRICAL RATINGS:

Load	Rating
Resistive	50mA max @ 12VDC
Electrical Life:	1,000,000 cycles
Mechanical Life:	1,000,000 cycles
Seal:	IP64, IP68S or unsealed
Operating Temp Range:	-40°C to +85°C
Operating Force:	1.0 lb. +/- 0.5 lb.
Total Travel Angle:	18° +/- 4°
Pushbutton Operating Force:	1.5 lb. +/- 0.5 lb.
Total Pushbutton Travel:	.05 lb. +/- .02 lb.
Max. Allowable Force:	22 lbs. in any direction

MATERIALS:

Case:	Thermoplastic, black
Button:	Thermoplastic
Bellows:	Black silicone
Connection:	Connector or wire leads
Mounting Hardware:	Hex nut

TK MINI TRIM PART NUMBER CODE



TK Mini Trim Button Styles are shown on the Button Styles page and in the appendix.



ALDERS
Indicate. Control. Connect.

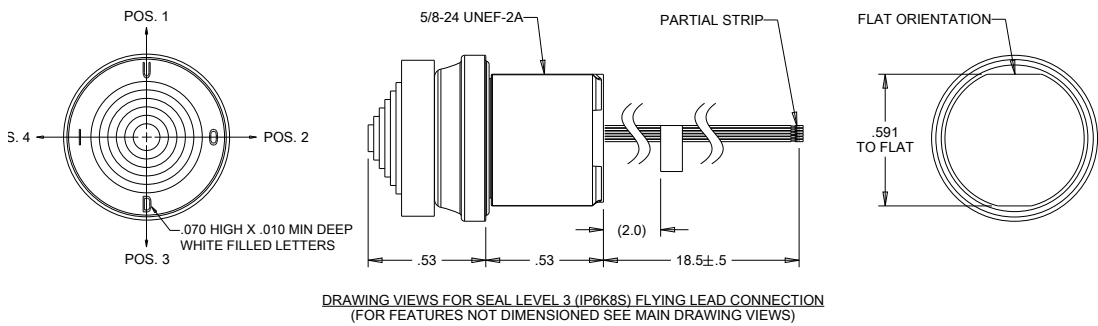
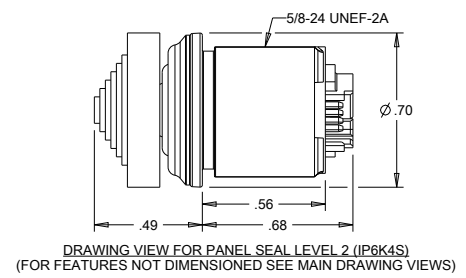
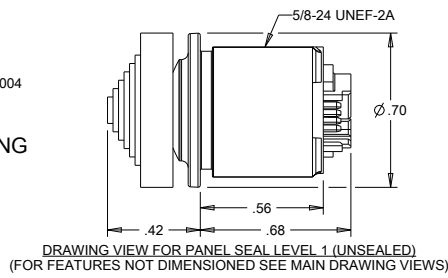
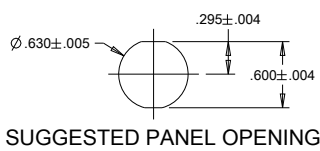
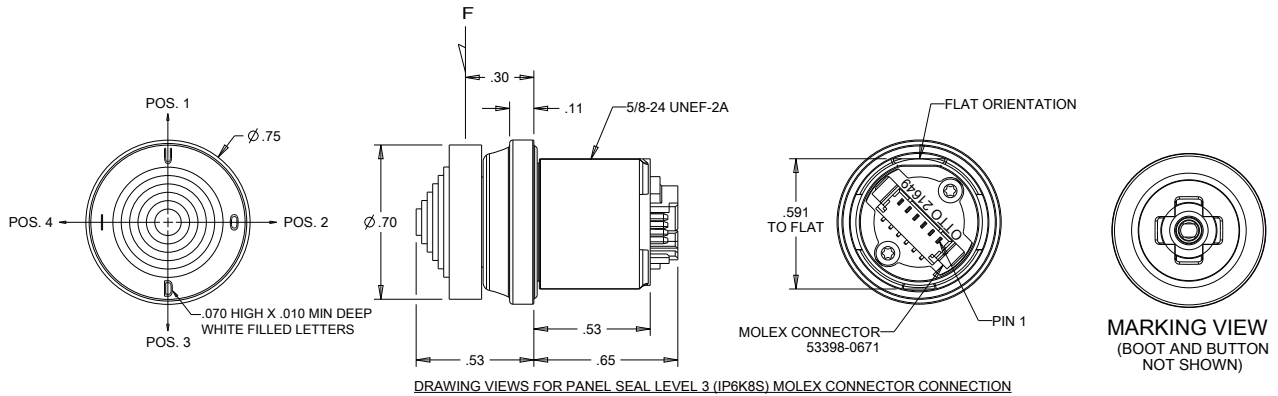
Votre distributeur officiel

ALDERS electronic GmbH
Arnoldstraße 19
47906 Kempen - Allemagne

+33 3 88064677
+33 6 33389393

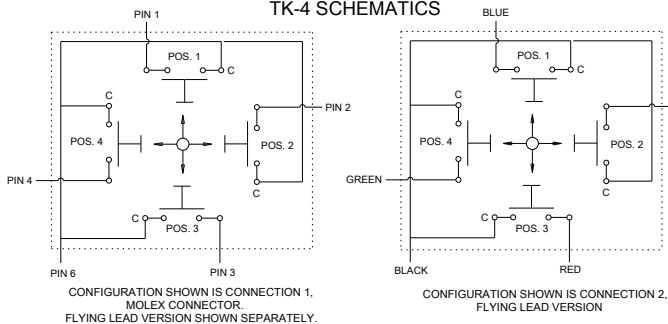
catherine.sturm@alders.fr / www.alders.fr

LOGIC LEVEL 4-WAY OR 4-WAY PLUS CENTER PUSHBUTTON TACTILE MINI TRIM

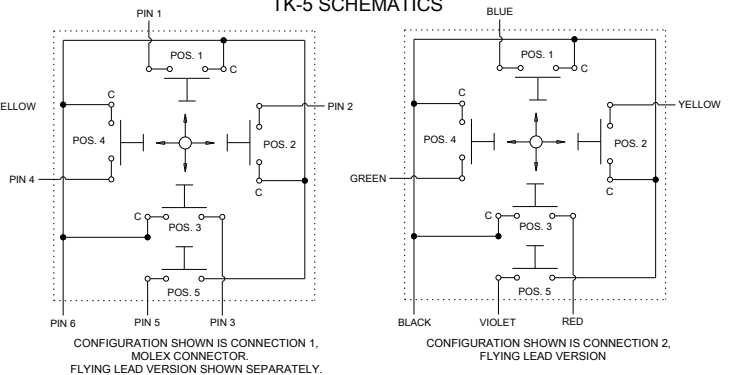


TK Series Schematics

TK-4 SCHEMATICS



TK-5 SCHEMATICS

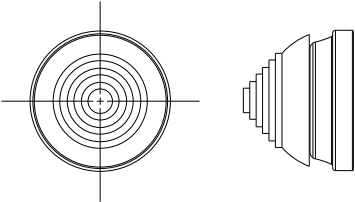
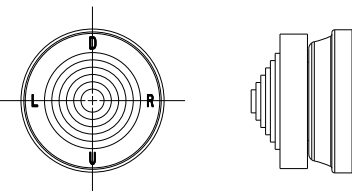
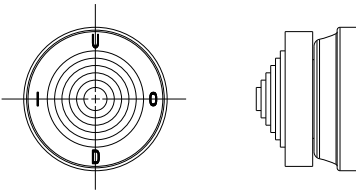
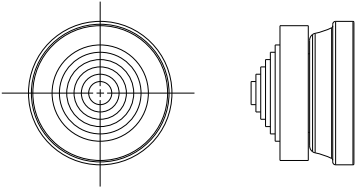
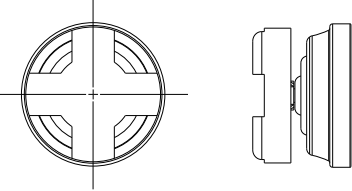
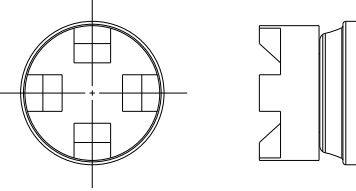
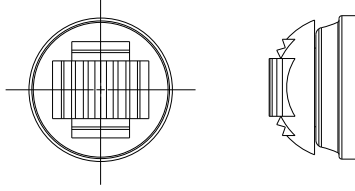
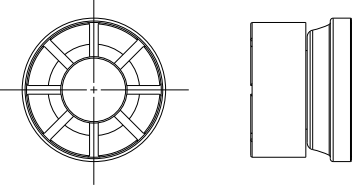
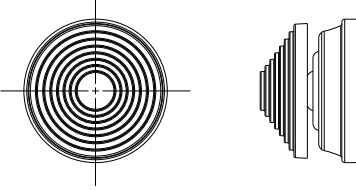
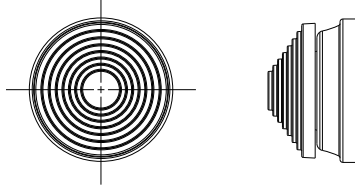


TK MINI TRIM BUTTON STYLES

BS
MINI TRIM
BUTTON STYLES

TK MINI TRIM BUTTON STYLES

TK Mini Trim Button Styles

<p>D – CONE</p> 	<p>E – LRUD HAT</p> 	<p>F – IOUD HAT</p> 
<p>G – HAT</p> 	<p>H – STADIUM</p> 	<p>J – CASTLE</p> 
<p>K – 4-WAY JOG</p> 	<p>L – INVERSE HAT</p> 	<p>M – TALL HAT</p> 
<p>N – SHORT HAT</p> 	<p>P – STADIUM ROTATED</p> 