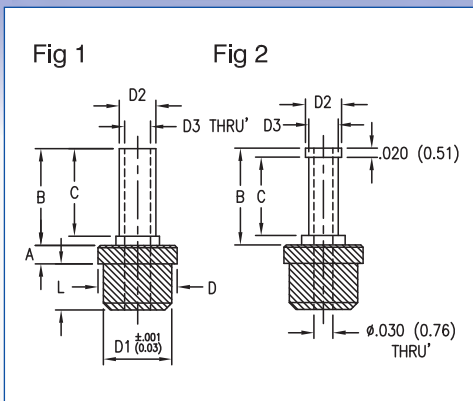
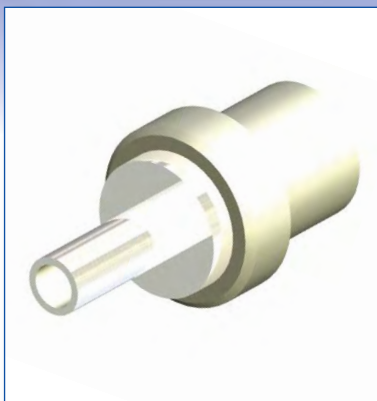


# SOLDER TERMINALS - PTFE INSULATED, PRESS MOUNT



Dimensions in inches (mm)  
See page 91 for Mounting Instructions

How to order code

**571 - 4XXX - XX - XX - 19**

Basic Part No. | Insulator Colour | Terminal Finish

Material Code Table		
Component	Material	RoHS
Insulator	PTFE	✓
Terminal	Brass	✓

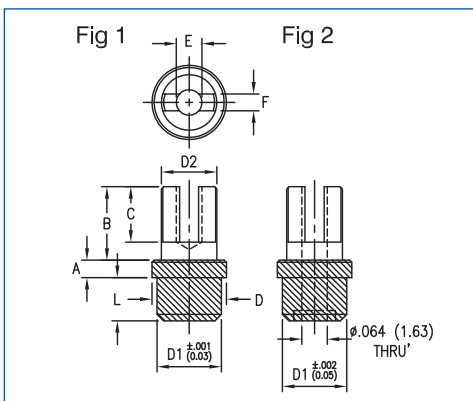
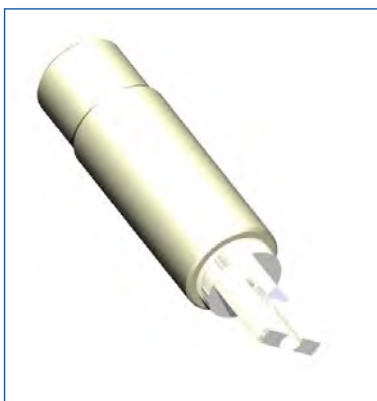
Finish Code Table		
Dash No.	Terminal Finish	RoHS
-01	Silver	✓
-05	Electro-Solder	X

Insulation Colour Code Table	
Dash No.	Colour
-19	White

Fig.	Basic Part No.	L	Board Thickness	A	B	C	D	D1	D2	D3	Mtg. Hole Diameter	Capacitance (pF)	Flashover VRMS at Sea Level
1	571-4152 -01	.060 (1.52)	.016 (.041) only	.040 (1.02)	.125 (3.18)	.105 (2.67)	.125 (3.18)	.094 (2.39)	.040 (1.02)	.030 (0.76)	.083 (2.11)	0.5	1500
	-02	.100 (2.54)	.031 (0.79) to .062 (1.57)									0.6	2500
	571-4193 -01	.110 (2.79)	.031 (0.79) to .071 (1.80)	.050 (1.27)	.207 (5.26)	.187 (4.75)	.172 (4.37)	.149 (3.78)	.085 (2.16)	.064 (1.63)	.136 (3.45)	0.7	3000
	571-4240 -01	.110 (2.79)	.031 (0.79) to .071 (1.80)	.050 (1.27)	.207 (5.26)	.187 (4.75)	.218 (5.54)	.172 (4.37)	.040 (1.02)	.030 (0.76)	.158 (4.01)	0.5	3500
2	571-4153 -01	.060 (1.52)	.016 (.041) only	.040 (1.02)	.207 (5.26)	.167 (4.24)	.125 (3.18)	.094 (2.39)	.080 (2.03)	.040 (1.02)	.083 (2.11)	0.5	2000
	-02	.100 (2.54)	.031 (0.79) to .062 (1.57)									0.6	1500

Other colours available, consult factory.

# SOLDER TERMINALS - PTFE INSULATED, PRESS MOUNT



Dimensions in inches (mm)  
See page 91 for Mounting Instructions

How to order code

**571 - 4XXX - 01 - XX - 19**

Basic Part No. | Insulator Colour | Terminal Finish

Material Code Table		
Component	Material	RoHS
Insulator	PTFE	✓
Terminal	Brass	✓

Finish Code Table		
Dash No.	Terminal Finish	RoHS
-01	Silver	✓
-05	Electro-Solder	X

Insulation Colour Code Table	
Dash No.	Colour
-19	White

Fig.	Basic Part No.	L	Board Thickness	A	B	C	D	D1	D2	E	F	Mtg. Hole Diameter	Capacitance (pF)	Flashover VRMS at Sea Level
1	571-4093 -01	.150 (3.81)	.031 (0.79) to .110 (2.79)	.400 (10.16)	.203 (5.16)	.161 (4.09)	.188 (4.78)	.172 (4.37)	.148 (3.76)	.046 (1.17)	.030 (0.76)	.158 (4.01)	0.6	10000
	571-4121 -01	.188 (4.78)	.031 (0.79) to .148 (3.76)	.800 (20.32)	.203 (5.16)	.161 (4.09)	.250 (6.35)	.216 (5.49)	.148 (3.76)	.046 (1.17)	.030 (0.76)	.203 (5.16)	0.3	13000
	571-4123 -01	.188 (4.78)	.031 (0.79) to .148 (3.76)	.800 (20.32)	.203 (5.16)	.156 (3.96)	.250 (6.35)	.216 (5.49)	.148 (3.76)	.078 (1.98)	.046 (1.17)	.203 (5.16)	0.3	13000
2	571-4132 -01	.220 (5.59)	.062 (1.57) to .125 (3.18)	.062 (1.57)	.218 (5.54)	.156 (3.96)	.250 (6.35)	.216 (5.49)	.156 (3.96)	-	.040 (1.02)	.203 (5.16)	0.5	2800

Other colours available, consult factory.