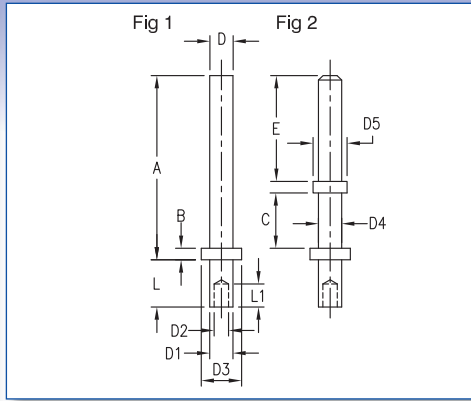


# SOLDER TERMINALS - TURRET



Dimensions in inches (mm)  
See page 92/93 for recommended  
Anvil and Punch

**How to order code**

**1XX - XXXX - XX - XX - 00**

Basic Part No.      Finish

Material Code Table		
Component	Material	RoHS
Terminal	Brass	✓

Finish Code Table		
Dash No.	Finish	RoHS
-01	Silver	✓
-03	Gold over Nickel	✓
-04	Electro-Tin	✓
-05	Electro-Solder	X

Fig.	Basic Part No.	L	Board Thickness	A	B	C	D	D1	D2	D3	D4	D5	E	L1	Mtg. Hole Diameter
1	120-5212 -02	.075 (1.90)	.040 (1.02)	.224 (5.70)	.015 (0.38)	-	.020 (0.51)	.020 (0.51)	-	.039 (1.00)	-	-	-	-	.023 (0.58)
	120-1132 -01	.063 (1.60)	.031 (0.79)	.250 (6.35)	.031 (0.79)	-	.050 (1.27)	.060 (1.52)	.040 (1.02)	.094 (2.39)	-	-	-	.063 (1.60)	.064 (1.63)
	-02	.094 (2.39)	.062 (1.57)											.071 (1.80)	
	-03	.125 (3.18)	.094 (2.39)												
	-04	.156 (3.96)	.125 (3.18)												
	120-1133 -01	.063 (1.60)	.031 (0.79)	.313 (7.95)	.031 (0.79)	-	.050 (1.27)	.060 (1.52)	.040 (1.02)	.094 (2.39)	-	-	-	.063 (1.60)	.064 (1.63)
	-02	.094 (2.39)	.062 (1.57)											.071 (1.80)	
	-03	.125 (3.18)	.094 (2.39)												
	-04	.156 (3.96)	.125 (3.18)												
	120-1134 -01	.063 (1.60)	.031 (0.79)	.375 (9.53)	.031 (0.79)	-	.050 (1.27)	.060 (1.52)	.040 (1.02)	.094 (2.39)	-	-	-	.063 (1.60)	.064 (1.63)
	-02	.094 (2.39)	.062 (1.57)											.071 (1.80)	
	-03	.125 (3.18)	.094 (2.39)												
	-04	.156 (3.96)	.125 (3.18)												
	-05	.219 (5.56)	.188 (4.78)												
	-06	.281 (7.14)	.250 (6.35)												
	180-2750 -01	.062 (1.57)	.031 (0.79)	.156 (3.96)	.020 (0.51)	-	.060 (1.52)	.060 (1.52)	.042 (1.07)	.125 (3.18)	-	-	-	.040 (1.02)	.064 (1.63)
	-02	.094 (2.39)	.062 (1.57)												
	-03	.125 (3.18)	.094 (2.39)												
-04	.156 (3.96)	.125 (3.18)													
120-1372 -02	.084 (2.13)	.062 (1.57)	.250 (6.35)	.020 (0.51)	-	.030 (0.76)	.062 (1.57)	.043 (1.09)	.094 (2.39)	-	-	-	.045 (1.14)	.067 (1.70)	
120-1366 -02	.094 (2.39)	.062 (1.57)	.250 (6.35)	.021 (0.53)	-	.040 (1.02)	.090 (2.29)	.063 (1.60)	.125 (3.18)	-	-	-	.068 (1.73)	.093 (2.37)	
-03	.125 (3.18)	.094 (2.39)													
2	120-1011 -01	.078 (1.98)	.031 (0.79)	.290 (7.37)	.032 (0.81)	.125 (3.18)	.053 (1.35)	.090 (2.29)	.064 (1.63)	.125 (3.18)	.063 (1.60)	.093 (2.36)	.113 (2.87)	.063 (1.60)	.093 (2.37)
	-02	.109 (2.77)	.062 (1.57)												
	-03	.141 (3.58)	.094 (2.39)												
	-04	.172 (4.37)	.125 (3.18)												
	120-1012 -01	.078 (1.98)	.031 (0.79)	.427 (10.85)	.032 (0.81)	.125 (3.18)	.053 (1.35)	.090 (2.29)	.064 (1.63)	.125 (3.18)	.063 (1.60)	.093 (2.36)	.250 (6.35)	.083 (2.11)	.093 (2.37)
	-02	.109 (2.77)	.062 (1.57)												
	-03	.141 (3.58)	.094 (2.39)												
	-04	.172 (4.37)	.125 (3.18)												
	120-1013 -01	.078 (1.98)	.031 (0.79)	.343 (8.71)	.032 (0.81)	.136 (3.45)	.053 (1.35)	.090 (2.29)	.064 (1.63)	.156 (3.96)	.063 (1.60)	.109 (2.77)	.153 (3.89)	.063 (1.60)	.093 (2.37)
	-02	.109 (2.77)	.062 (1.57)												
	-03	.141 (3.58)	.094 (2.39)												
	-04	.172 (4.37)	.125 (3.18)												
	120-1014 -01	.078 (1.98)	.031 (0.79)	.471 (11.96)	.032 (0.81)	.136 (3.45)	.053 (1.35)	.090 (2.29)	.064 (1.63)	.156 (3.96)	.063 (1.60)	.109 (2.77)	.281 (7.14)	.064 (1.63)	.093 (2.37)
	-02	.109 (2.77)	.062 (1.57)												
	-03	.141 (3.58)	.094 (2.39)												
	-04	.172 (4.37)	.125 (3.18)												