

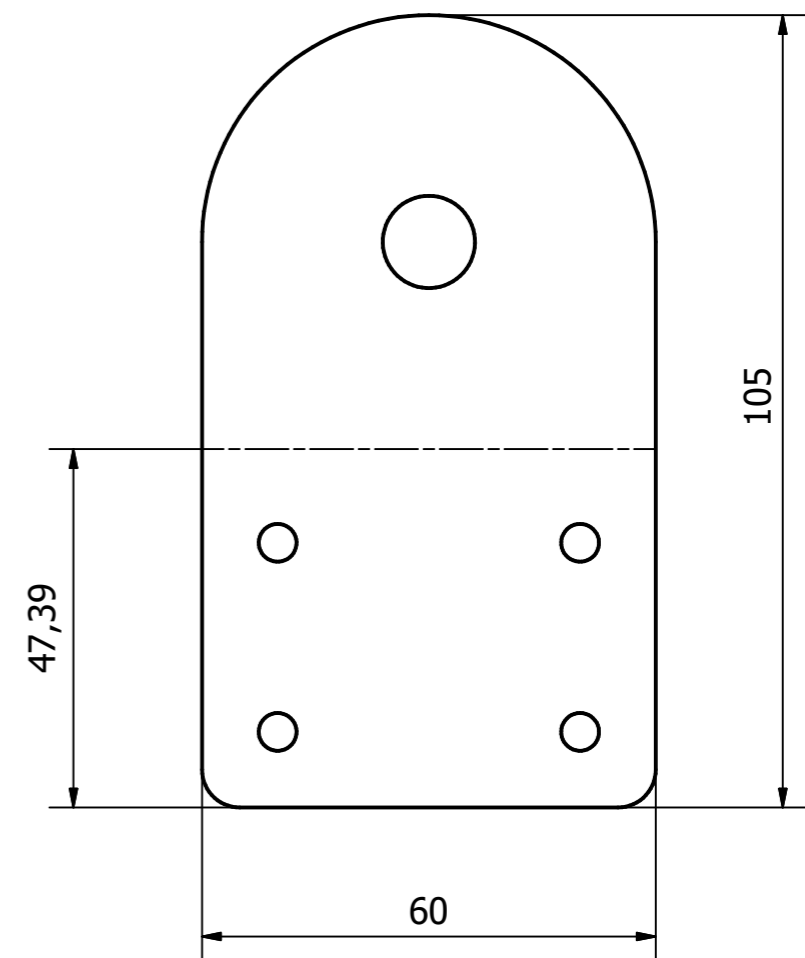
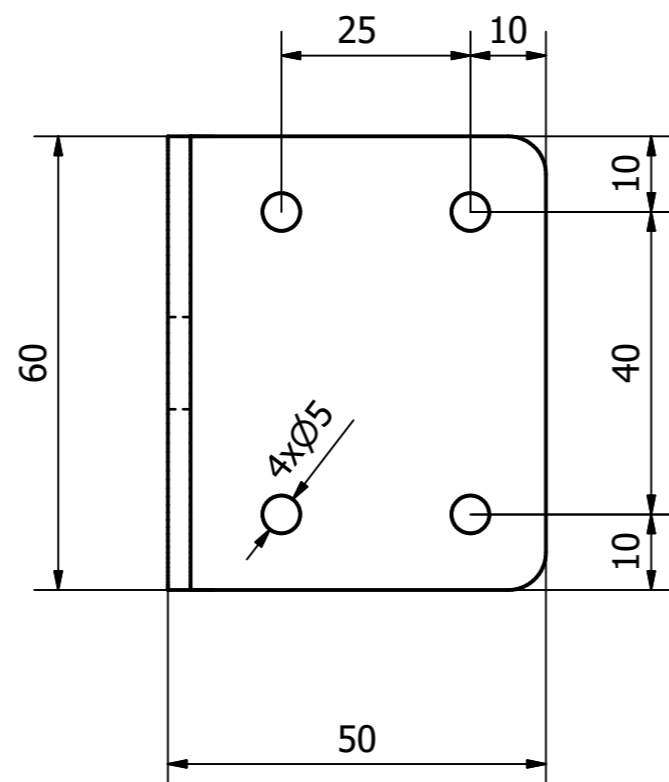
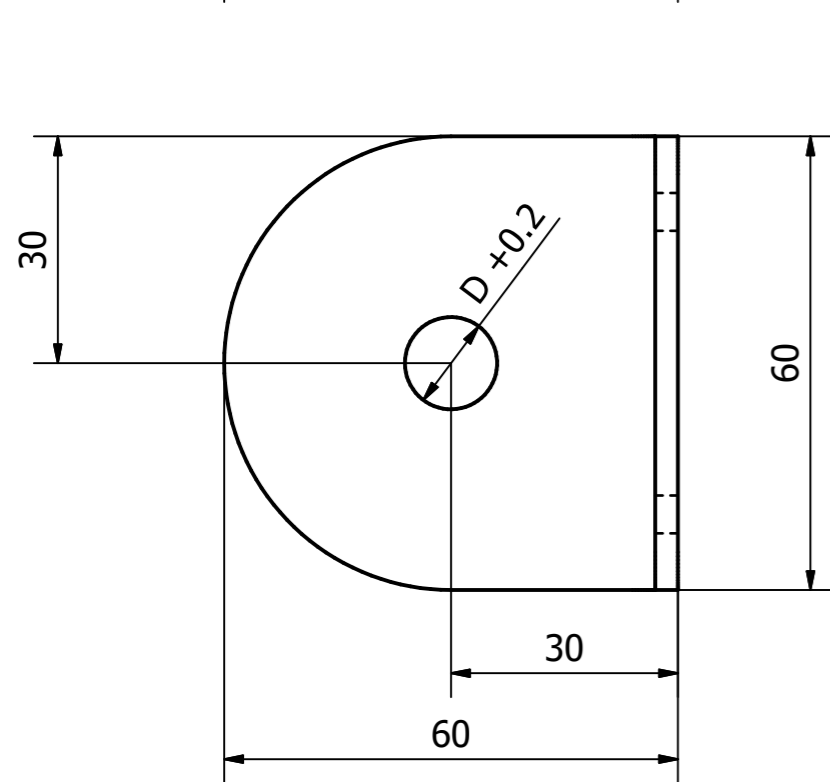
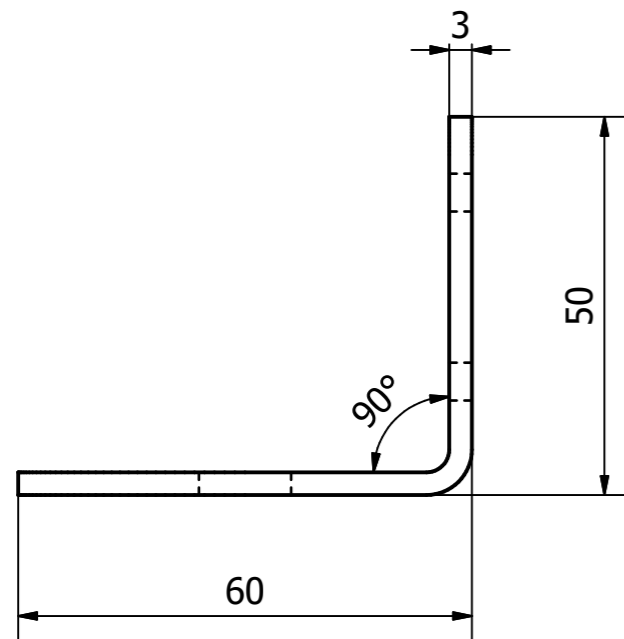
Mounting Bracket for the H2 Sensor Housing (ASH-202101-XXX)

Type AMW-202101-XXX

Part Number:

- AMW-202101-120: D=12.0mm
- AMW-202101-132: D=13.2mm (G1/4")
- AMW-202101-140: D=14.0mm
- AMW-202101-160: D=16.0mm
- AMW-202101-167: D=16.7mm (G3/8")
- AMW-202101-180: D=18.0mm
- AMW-202101-200: D=20.0mm
- AMW-202101-210: D=21.0mm (G1/2")

Flat Pattern:



Allgemeintoleranz nach ISO 2768 mittel

Designed by Heiko Lange	Checked by Daniel Jennen	Approved by Martin Alders	Date 02.09.2021	Date 02.09.2021
ALDERS Indicate. Control. Connect.		Stainless Steel 1.4301		
		Montagewinkel	Edition	Sheet 1 / 1