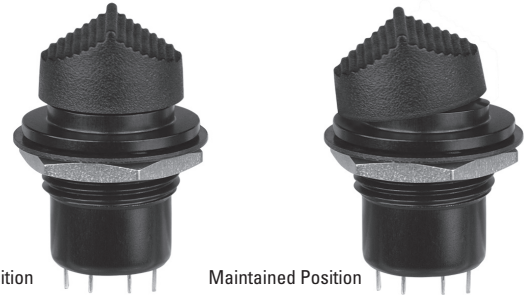


T1-T MINI TRIM SWITCHES

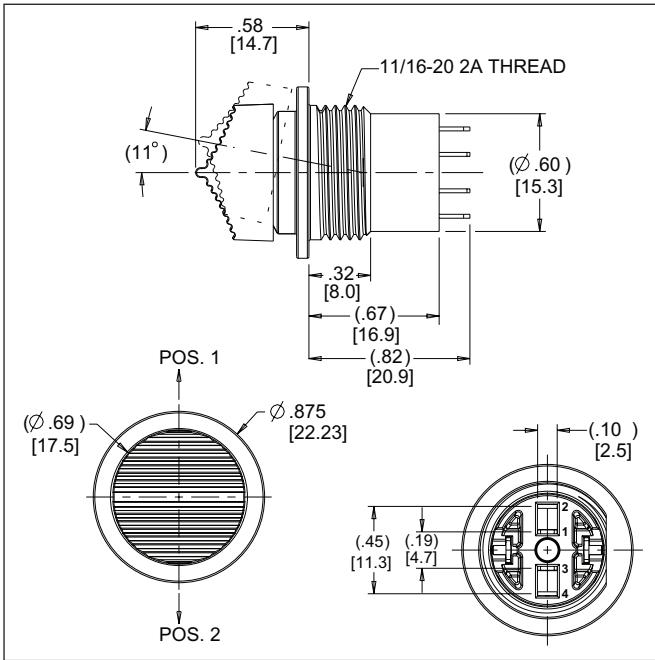
2-WAY MINI TRIM, COMMERCIAL GRADE

The T1-T Mini Trim is a latching, single pole, single throw, center off, momentary/maintained action contact switch. The T1-T has an 11/16" threaded case making it ideal for panel or control grip mounting. The switch provides a 2-way momentary/maintained toggle action with a positive click action. Four switch action/circuit options provide you with the choice you need for your application in aerospace, off-highway and all other demanding applications.



Center Off Position

Maintained Position



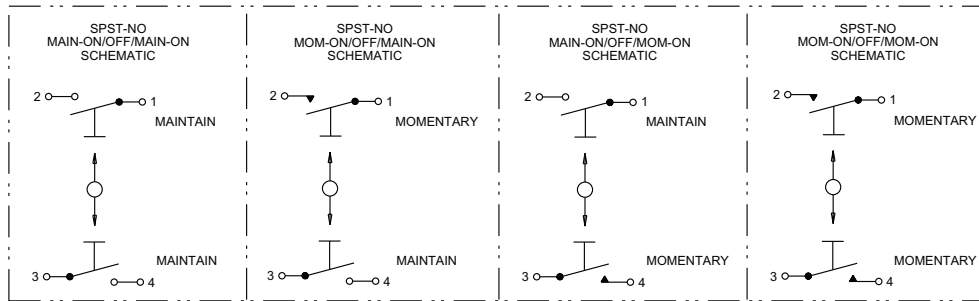
Standard Characteristics/Ratings:

ELECTRICAL RATINGS:

Load	Sea Level @ 28VDC
Resistive	2A
Inductive	1A
DWV	1050Vrms
Logic Level	10mA @ 5VDC
Electrical Life:	100,000 cycles
Mechanical Life:	100,000 cycles
Seal:	Water resistant per MIL-STD-810F, method 506.4, procedure 3 (drip)
Operating Temp Range:	-55°C to +85°C
Pretravel:	9.5° max
Overtravel:	1.5° min
Return Point:	4° min
Operating Force:	1.00 ± 0.50 to make contact in momentary position 0.90 ± 0.45 to make contact in maintained position 0.45 ± 0.30 to return to neutral position from maintained position

MATERIALS:

Case:	Anodized aluminum
Button:	Thermoplastic
Mounting Hardware:	Hex nut and lockwasher



T1-T MINI TRIM PART NUMBER CODE

Series	Grade	Switch Action/Circuit	Case Style	Current Rating	Button Color	Not Used
T1-T	-	X	X	X	X	*
T1-T.2-Way	C. Commercial	A. MAIN-ON / OFF / MAIN-ON B. MOM-ON / OFF / MAIN-ON C. MAIN-ON / OFF / MOM-ON D. MOM-ON / OFF / MOM-ON	1. Threaded with D-Flat, Black 2. Threaded with Double D-Flat, Black 3. Threaded with D-Flat, Clear 4. Threaded with Double D-Flat, Clear	1. Standard 2. Logic Level	1. Red 2. Black 8. Gray	Leave Blank

Your official representative

ALDERS
Indicate. Control. Connect.

ALDERS electronic GmbH
Arnoldstraße 19
47906 Kempen - Germany
+49 2152 8955-0
sales@alders.de / www.alders.de