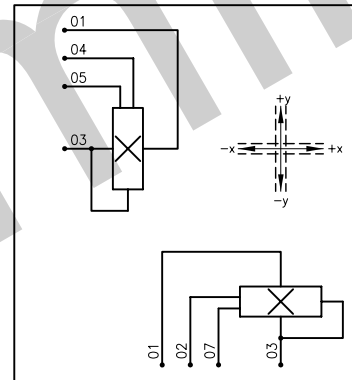
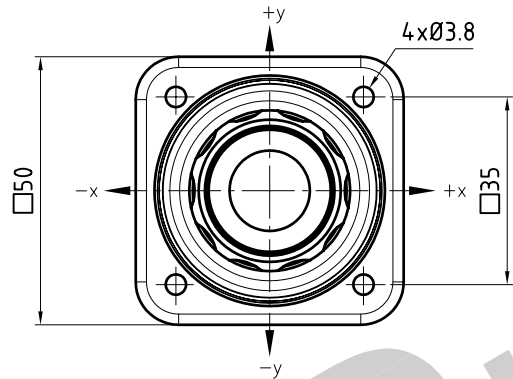
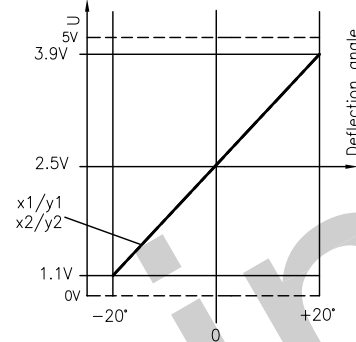


Output diagram X-,Y-axis



Description	
Joystick type SK 315-060	
Number of axes	2-axes, x-axis, y-axis, Both axes are redundant
Operation by	Handle with pushbutton
Cross guidance	soft
Retaining spring	normal, Z-Nr. 60-112
Connector:	Minitek Shrouded Header 8-poles
Mating connector:	Minitek IDC Receptacle, 8-poles
Electrical characteristics	
Operating voltage	5 V DC
Sensor	Hall effect technology
Pin	
01	Supply voltage
02	x1 (-x=1.1V, middle=2.5V, +x=3.9V)
03	Ground
04	y1 (-y=1.1V, middle=2.5V, +y=3.9V)
05	y2 (-y=1.1V, middle=2.5V, +y=3.9V)
06	Do not use
07	x2 (-x=1.1V, middle=2.5V, +x=3.9V)
08	Pushbutton ground switching

		Oberfläche	Maßstab 1:1	Position	Menge
		Datum	Name	Joystick	
		Bearb. 12.03.2014	DR		
		Gepr.			
		Norm			
		GENGE & THOMA AG <small>01-2543 Lengnau/Bliz</small>			Blatt
a	Neue Version SK315	05.06.2013	DR	315-060 a	
Zust.	Änderungen	Datum	Name	Dateiname: E:\Dwg\SK_315\L_SK315-054e.dwg	Bl