

LED INDICATOR BI-COLOR PANEL MOUNT



LED INDICATORS

Models ML1622 & ML1632

Designed for use as function indicators on aircraft, test equipment, machine tools and wherever severe environmental conditions need to be met, especially vibration and EMI.

FEATURES

- Multiple status indication within a single package
- Performs in severe environments
- Low power use
- Rugged construction
- Panel mounted
- Optional EMI screen
- Internal resistor available

MECHANICAL SPECIFICATIONS

Case: Aluminum, black anodized front with clear chromate back

Mounting: Front panel by 5/16"-32 nut and lockwasher

Seal: Environmentally sealed. Added front panel O-ring seal for model ML1632.



ENVIRONMENTAL SPECIFICATIONS

Vibration: .06" D.A. or 20 Gs Peak, whichever is less, 10Hz to 2kHz, MIL STD 202, Method 204, Test Condition D

Shock: 100 Gs MIL STD 202, Method 213, Test Condition I

Moisture Resistance (Humidity): MIL STD 202, Method 106

Barometric Pressure (Reduced): 100,000 ft., MIL STD 202, Method 105, Test Condition D

Reliability: 3 x 10⁶ hours min. MTBF @ 25°C

Salt Atmosphere (Corrosion): MIL STD 202, Method 101, Test Condition B

ELECTRO-OPTICAL CHARACTERISTIC SPECIFICATIONS*

Absolute Maximum Ratings @Temp = 25°C						
Color	Red / Green		Yellow / Green		Super Red / Super Green	
Forward Voltage (VDC) typical @ 20 mA	2.1	2.1	2.1	2.1	1.85	2.2
Peak Forward Current (mA) ①	150	150	150	150	155	140
DC Forward Current (mA)	30	25	30	25	30	25
Power Dissipation (mW) ②	105	105	105	105	75	62.5
Luminous Intensity (mcd) typical @ I _F = 20 mA	30	20	20	20	100	30
Dominant Wave Length (nm) typical	625	568	588	568	640	568
Viewing Angle (2 Ø ^{1/2}) typical	60°					
Operating Temperature (°C)	-40 to +85					
Storage Temperature (°C)	-55 to +100			-40 to +85		
Lead Soldering Temperature	260°C for 5 seconds					
Notes: ① Typical pulsing values: t _p ≤ 10 µsec, Duty cycle = 10% ② Derate at 1.6 mW/°C above +25°C Ambient						

*These characteristics reflect the baseline model. Variations may imply a difference in luminous characteristics and/or operability features. Please contact the EDI Sales Department for more information.

This page consists of basic marketing information that is not defined as technical data under FAR Part 772.

LED INDICATOR BI-COLOR PANEL MOUNT



ORDERING INFORMATION

When ordering, show basic part number first, then EMI screen, LED color, lens type, terminal style, and voltage. If this is a special part, a factory assigned modification number will be added at the end of the ordering number. Consult the factory for special configurations.

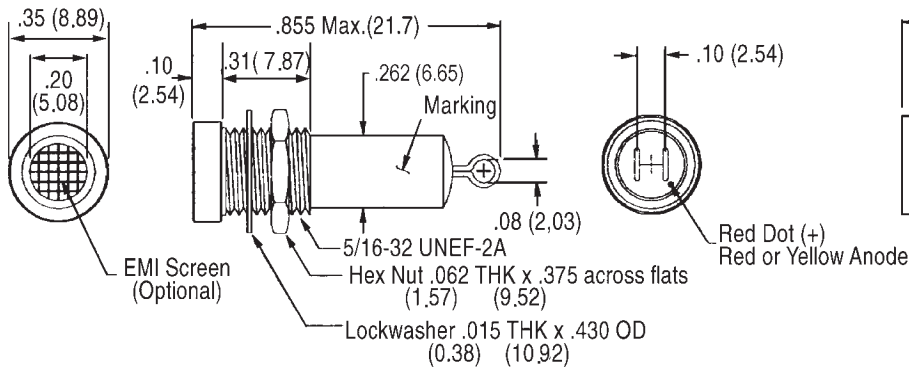
Example: Basic model with O-ring panel seal, an EMI screen, with a yellow/green LED, a diffused lens, loop terminals, and 24 volt internal resistor would be an ML1632E-Y/G-D-LT-24.

ML1632E - Y/G - D - LT - 24 - ()

Standard factory options are designated by "-Sxxx"

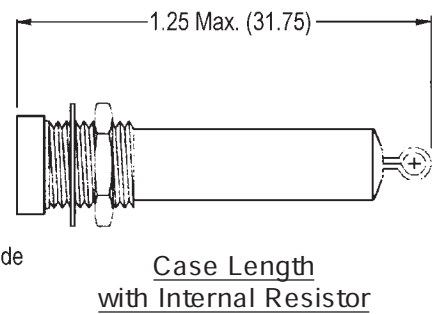
Basic Model Number	EMI Screen	LED Color	Lens Type	Terminal Style	Internal Resistor
ML1622 (w/o O-ring)	() None	R/G Red/Green	D Diffused	ST Straight Leads	() No Resistor
ML1632 (with O-ring)	E Screen	Y/G Yellow/Green		LT Loop Terminals	5 5V 12 12V 14 14V 24 24V 28 28V

Without Internal Resistor

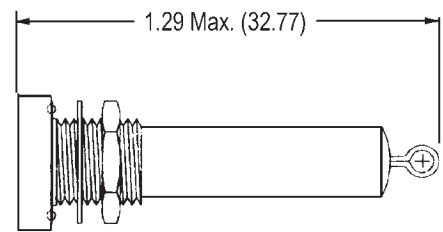
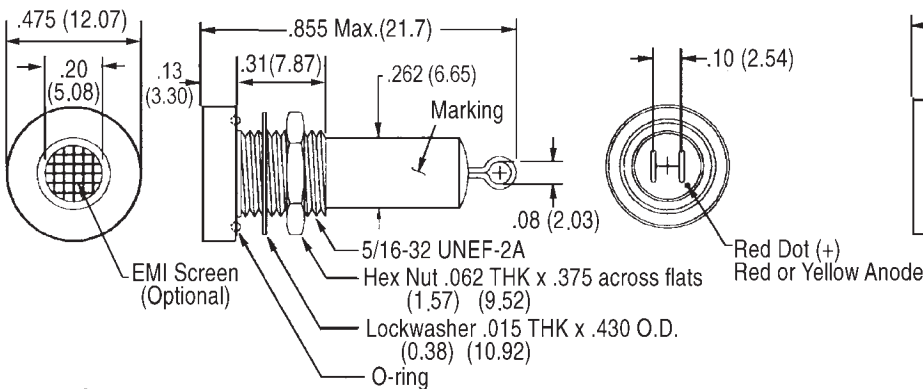


ML1622

With Internal Resistor



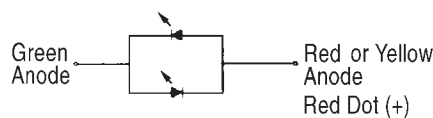
Case Length with Internal Resistor



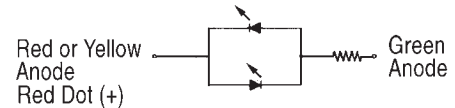
Case Length with Internal Resistor



Recommended Mounting Hole



Schematic



Schematic with Internal Resistor

ML1632 with front panel O-ring

NOTE: Dimensions in () are mm. Tolerances: Decimals: ± .010 (0.25)
Fractions: ± 1/64 Mounting Torque: 5-7 in. lbs.

This page consists of basic marketing information that is not defined as technical data under FAR Part 772.