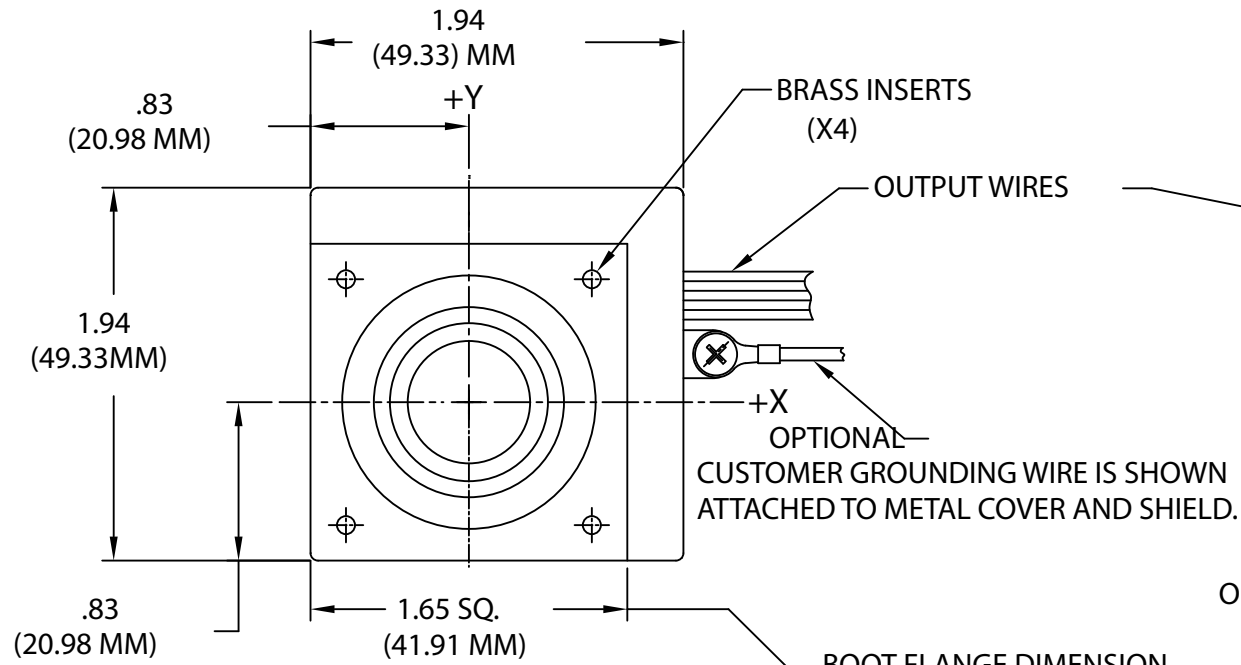


MOUNTING DETAIL

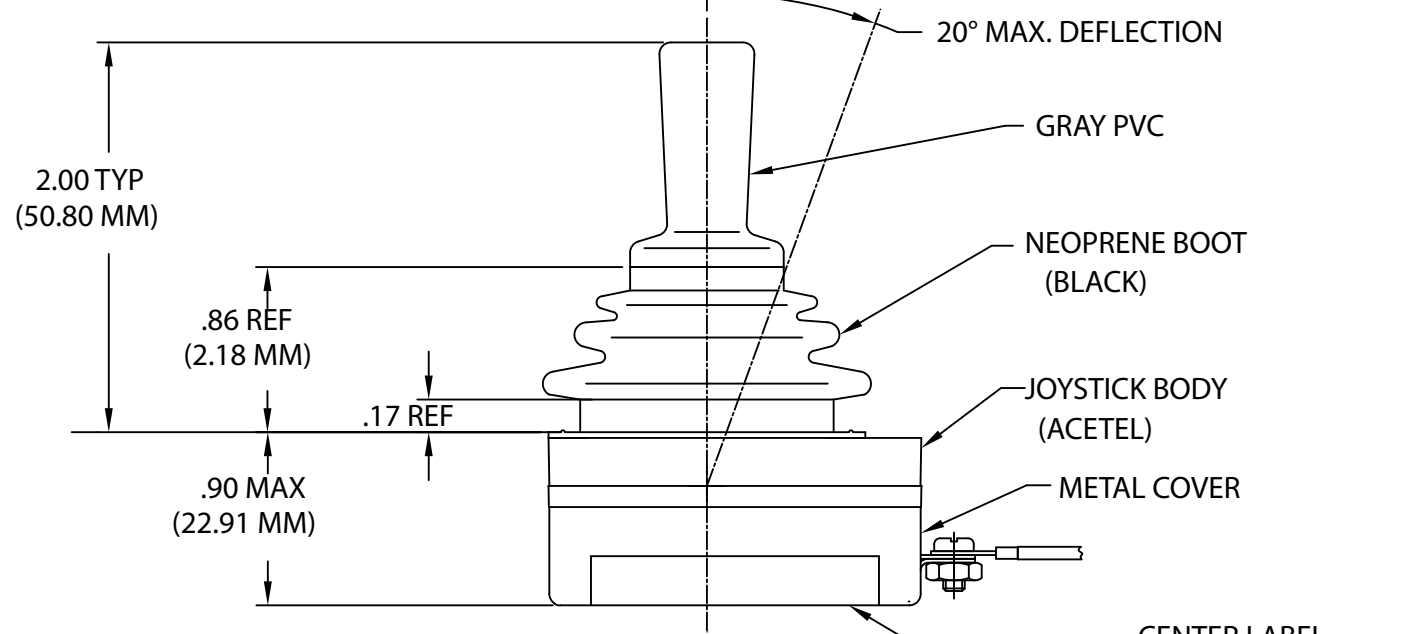
NOTE:
SCREW DEPTH
BELOW MOUNTING SURFACE
MAXIMUM .50
MINIMUM .22



FUNCTION	28 AWG. RIBBON COLORS	24 AWG. WIRE COLORS
SUPPLY VOLTAGE	RED	RED
COMMON	GREEN	BLACK
X AXIS	ORANGE	ORANGE
Y AXIS	YELLOW	WHITE
SWITCH	BLUE	BLUE
SWITCH COMMON	VIOLET	GREEN
NEUTRAL SWITCH	BROWN	BROWN
SWITCH 2	GRAY	

OPTIONS

BOTTOM OF MOUNTING SURFACE
(REFERENCE)



ORDERING INFORMATION:

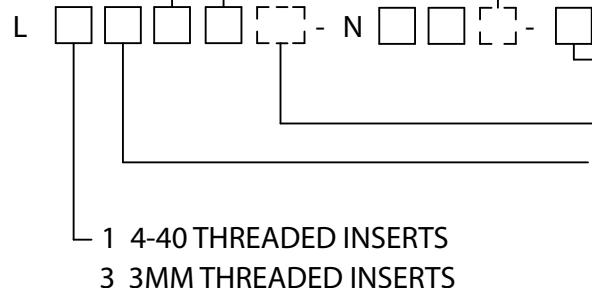
	SUPPLY VOLTAGE	OUTPUT VOLTAGE
4	5.0V	0.5V TO 4.5V
5	5.0V	0.0V TO 5.0V
7	3.3V	0.0V TO 3.3V

M WHITE FDA SILICONE BOOT & NICKEL PLATED ALUMINUM KNOB
W WHITE FDA SILICONE BOOT & WHITE PVC KNOB
(N2 OR N24 KNOB ONLY "D" SPRING IS DEFAULT FOR 'M' OPTION)

- 1 10". 28 AWG RIBBON CABLE
- 2 12". 24 AWG INDIVIDUAL WIRES
- 8 18". 24 AWG INDIVIDUAL WIRES

- 0 TWO AXES, SPRING RETURN
- 6 SINGLE AXIS, SPRING RETURN
- 8 THREE AXES, SPRING RETURN
- 9 X-Y NON-SIMULTANEOUS MOVEMENT

- BLANK STANDARD LIGHT SPRING NEOPRENE BOOT
- D LOW TEMPERATURE AND STRONGER SPRING.
- R CONDUCTIVE BOOT
- G STRONGEST SPRING



SPECIFICATIONS SUBJECT TO CHANGE WITHOUT NOTICE

CTI ELECTRONICS CORPORATION
WWW.CTIELECTRONICS.COM
LIGHTSTICK® OPTICAL JOYSTICK
NEMA 4 (IP66)
L1000-N24 MODEL

B 761822

APPROVED

SHEET 1 OF 1
DATE 07-30-13

REV. A
DRAWN BY
PSB