

SEALED ILLUMINATED PUSHBUTTONS

LP7
ILLUMINATED
PUSHBUTTONS

MOMENTARY ACTION, SEALED TO IP68S, COMPACT BEZEL

While sharing similar size and characteristics to the P9 and LP7-D series pushbutton switches, the LP7 series illuminated momentary action pushbutton switches have a compact bezel for a lower above-panel profile.

The LP7 is manufactured to the highest standards and built to withstand harsh environments, offering excellent mechanical and electrical performance while operating under severe conditions found in demanding applications. Built with an anodized aluminum alloy case, the LP7 is tested to one million mechanical operations and has an electrical life of 25,000 cycles.

The LP7 series offers LED lighting in a variety of colors and can accommodate 2 & 12VDC power. Button versions include flush dome and raised dome.

With a watertight to IP68S seal, the LP7 is a quality precision switch designed for use in panels, control grips, computers, instruments, heavy equipment and other demanding applications where attractive, highly ruggedized pushbutton switches are required.

Features:

- Compact bezel
- Watertight to IP68S
- LED illuminated with the ability to accommodate 2 & 12VDC power
- Standard and logic level options
- Flush and raised buttons in glossy or matte finish available in a variety of colors
- RoHS compliant



Raised Dome

Also available with
Flush Dome

| Standard Characteristics/Ratings: | | | |
|--|--|--------------|------------------|
| ELECTRICAL RATINGS: Sea Level @ 28VDC or 115VAC | | | |
| Load | N.O./N.C. | Cycles | Operating Force |
| Resistive | 5A | 25,000 | Standard Force |
| Inductive | 3A | 25,000 | Standard Force |
| Resistive | 500mA | 500,000 | Standard Force |
| Resistive | 200mA | 500,000 | Low Force |
| DWV | 1050Vrms through switch contacts only | | |
| Logic Level | 10mA @ 5VDC | | |
| Electrical Life: | 25,000 cycles | | |
| LIGHTING: | | | |
| Light Source Voltage (DC) | Actual Voltage | Nominal (DC) | Voltage Max (DC) |
| 2* | 2 | | 2.6 |
| 12 | 13.5 | | 14.5 |
| Mechanical Life: | 1,000,000 cycles | | |
| Seal: | IP68S | | |
| Operating Temp Range: | -55°C to +85°C | | |
| Operating Force: | 1.7 lbs. ± 0.5 lbs. Standard Force, 12 oz. ± 4 oz. Low Force | | |
| Total Travel: | .080 inches max | | |
| Overtravel: | .010 inches min | | |
| MATERIALS: | | | |
| Case: | Anodized aluminum alloy | | |
| Button: | Thermoplastic | | |
| Terminals: | Gold plate | | |
| Contacts: | Gold plated silver alloy | | |
| Mounting Hardware: | None | | |

Your official representative



ALDERS
Indicate. Control. Connect.

ALDERS electronic GmbH
Arnoldstraße 19
47906 Kempen - Germany
+49 2152 8955-0
sales@alders.de / www.alders.de

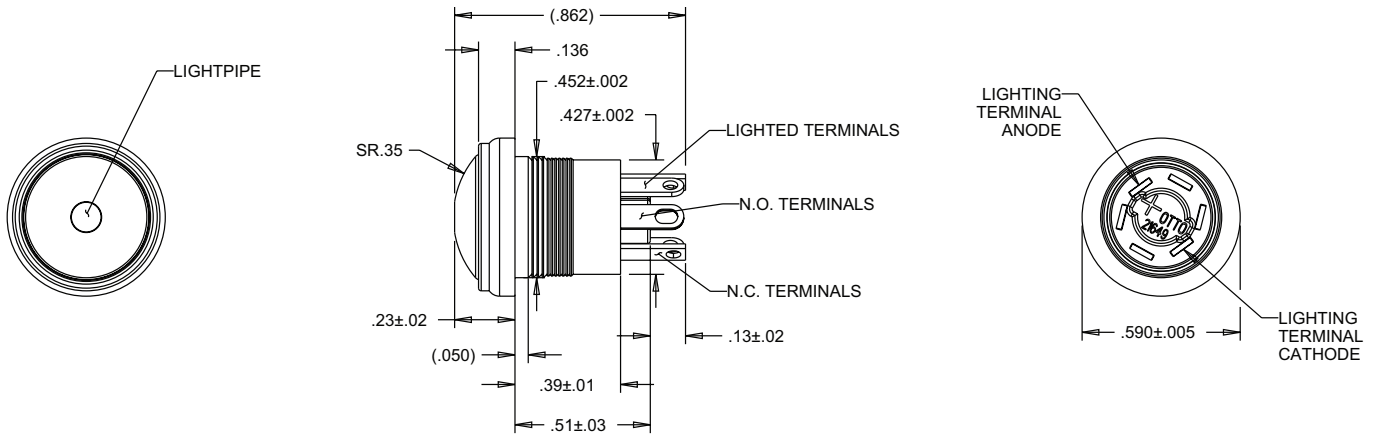
LP7 PART NUMBER CODE

| | | | | | | | | |
|---------------------|--------------------------|-----------------------|---------------------|----------------------|----------------------|-------------------|---------------------|---|
| LP7 | - | X | X | X | X | X | X | X |
| Button Style | Case Style | Terminal Style | Circuit Form | Switch Action | Light Source* | Case Color | Button Color | |
| 1. Flush | 1. Short Bezel Press Fit | 1. Solder | 1. N.O. | 1. Standard Force | A. 2V Red LED | 1. Red | 1. Red | |
| 2. Raised | | | 2. N.C. | Snap-Action | B. 2V Green LED | 2. Black | 2. Black | |
| 3. Flush Matte | | | 3. 2 Circuit | 2. Low Force | C. 2V Amber LED | 3. Orange | 3. Orange | |
| 4. Raised Matte | | | | Snap-Action | D. 2V Blue LED | 4. Yellow | 4. Yellow | |
| | | | | | E. 2V White LED | 5. Green | 5. Green | |
| | | | | | F. 12V Red LED | 6. Blue | 6. Blue | |
| | | | | | G. 12V Green LED | 7. Violet | 7. Violet | |
| | | | | | H. 12V Amber LED | 8. Gray | 8. Gray | |
| | | | | | J. 12V Blue LED | 9. Clear | 9. White | |
| | | | | | K. 12V White LED | | | |

*2V LED's are intended for use with an external resistor. See LED voltage chart in appendix for details on the approximate value of the resistor. For additional LED lighting options, contact factory.

MOMENTARY ACTION, SEALED TO IP68S, COMPACT BEZEL

Flush Button - Short Bezel



Raised Button - Short Bezel

